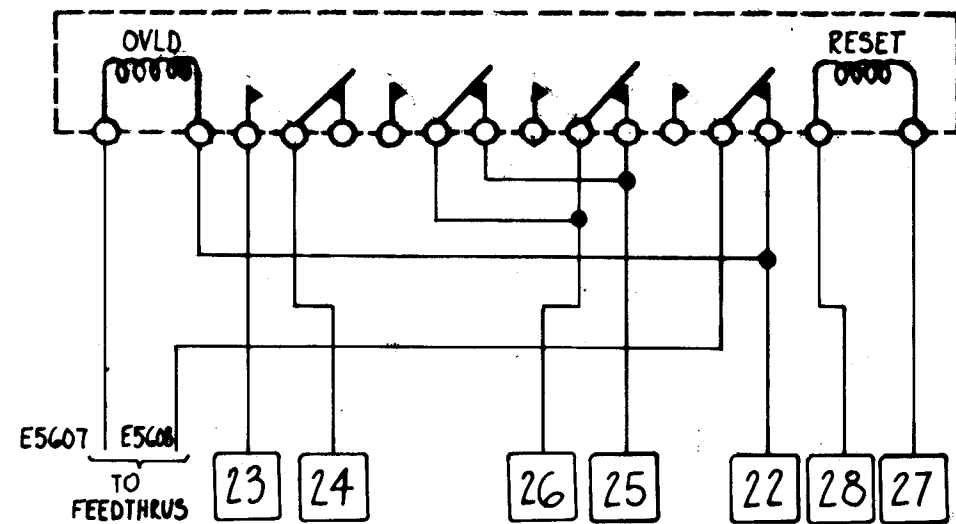
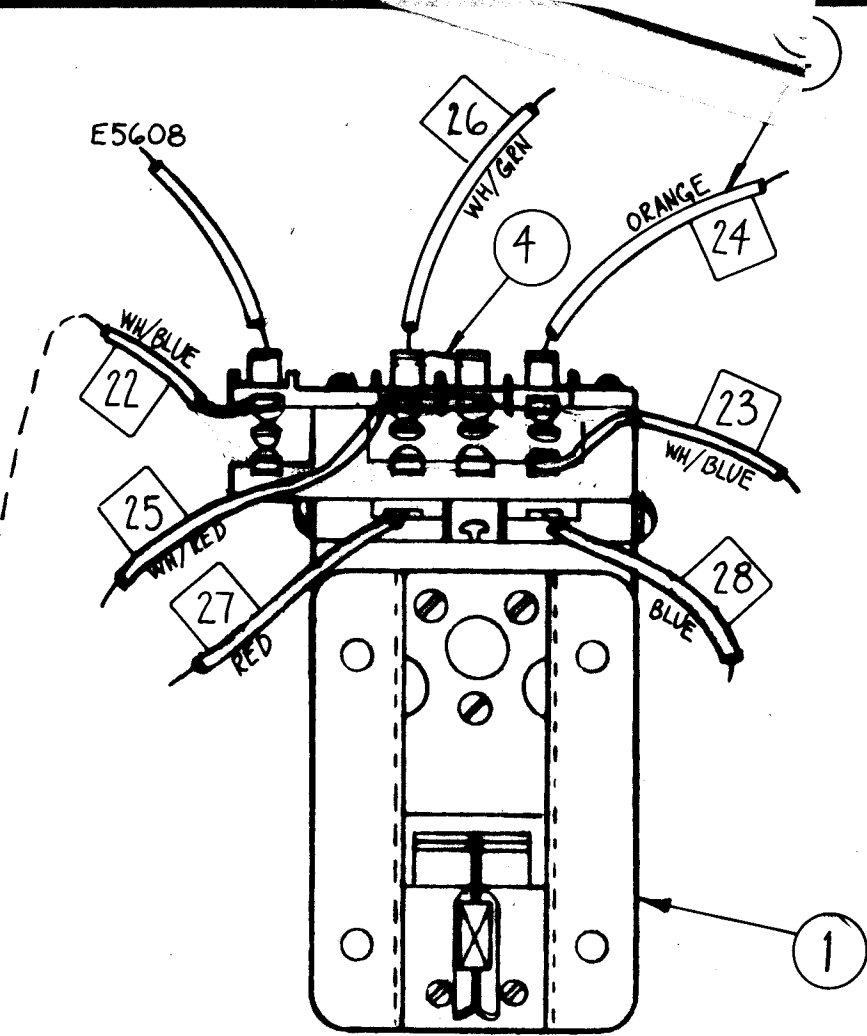
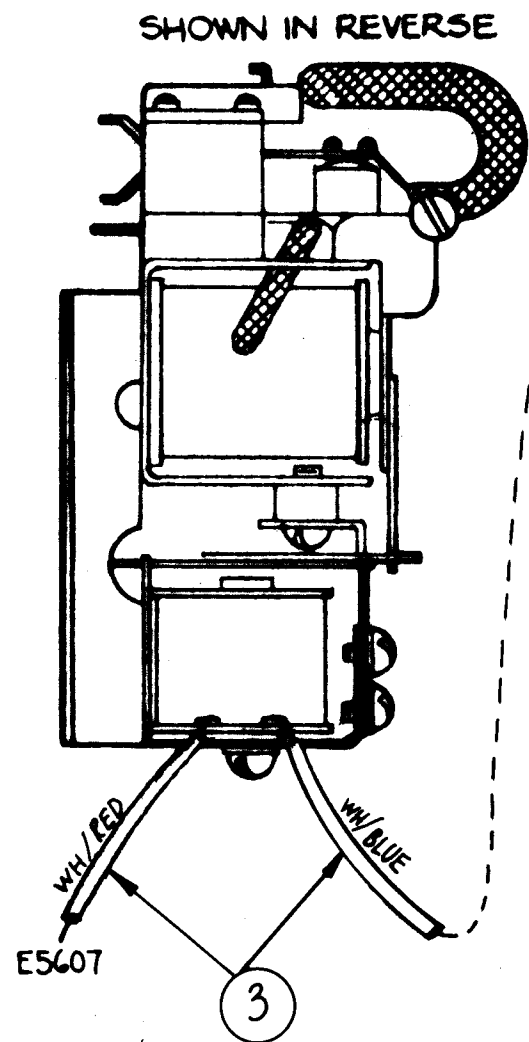


AR-139 B



B		WH/BLUE, WH/RED (3) F. W/WH/RED (3) RELOCATED	6-24-65	14316	P.V.		
O	1	ORIGINAL RELEASE FOR PROD.	4-24-64		SRG		
A	1	REVISED + REDRAWN					
ISSUE	ITEM	CHANGED FROM	DATE	CH. NO.	DRAFTS	CHECKER	ENG. APP.
TOLERANCES		SCALE:					
DEC. DIM. ±	CODE A		MAXIMUM ALLOWABLE TOLERANCES HAVE BEEN DETERMINED AND ANY DEVIATIONS WILL BE CAUSE FOR REJECTION. REMOVE ALL BURRS AND SHARP EDGES				
FRAC. DIM. ±							
ANGULAR DIM. ±							

REQ. PER UNIT	1	GPT-200K	AR-137		12-19-63
MODEL		PROJECT NO.		ASSY. NO.	DATE
USED ON					

X	5	BS-100	SOLDER, SOFT	
X	4	WL-100-6	WIRE, BUSS	
1	3	CA-784	CABLE ASSY, GRID OVLD RELAY B-	
1	2	CA-765	CABLE ASSY, GRID OVLD RELAY	
1	1	RL-125	RELAY ARMATURE	
DES. ITEM		PART NO.	F. BUDETTI	DESCRIPTION
STOCK SIZE		THE TECHNICAL MATERIEL CORP. MAMARONECK, NEW YORK		
MATERIAL		RELAY ASSY, GRID OVLD (RELAY 'A')		
TYPE & TEMPER		HEAT TREAT. SPEC.	DRAWN	CHECKED
FINISH & SPEC. NO.			W.A. FRANCO	W.F. RDC
			AR-139	B