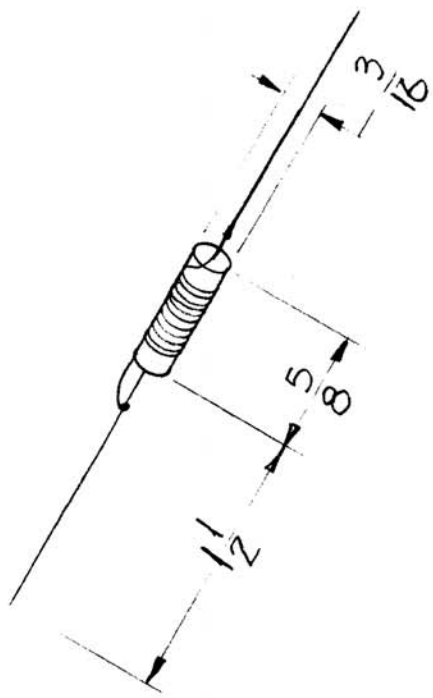


SVM R7608 TUBE PROTECT RELAY SHUNT

FUNCTION
DC RESISTANCE - .07 OHMS. ±5%
CORE ~ POWDERED IRON

USED ON
REQ. PER UNIT: 1
MODEL: GPT-40K
ASSY. N.: AR-116
DATE: 11-1-60

AR-128
A



REQ. ITEM	DESCRIPTION	SYMBOL
A 1	THE TECHNICAL MATERIEL CORP. MAMARONECK, NEW YORK RESISTOR, WIRE WOUND	
ISSUE ITEM	CHANGED FROM	
TOLERANCES DEC. DIM. ± FRAC. DIM. ± ANGULAR DIM. ±		
DATE	CH. NO.	DRAFTS
2-1-62	6271	JLB
DATE	CHECKER	ENG. APP.
		<i>[Signature]</i>
SCALE: 1A-1917		
MAXIMUM ALLOWABLE TOLERANCES HAVE BEEN DETERMINED AND ANY DEVIATIONS WILL BE CAUSE FOR REJECTION. REMOVE ALL BURRS AND SHARP EDGES		
REQ. ITEM	PART NO.	
	STOCK SIZE	
	MATERIAL	
TYPE & TEMPER	HEATTREAT. SPEC.	
	DRAWN	<i>[Signature]</i>
	CHECKED	<i>[Signature]</i>
	ELEC. DES. APP.	
	MECH. DES. APP.	
	FINISH & SPEC. NO.	
	FINAL APPROVAL	AR-128 A