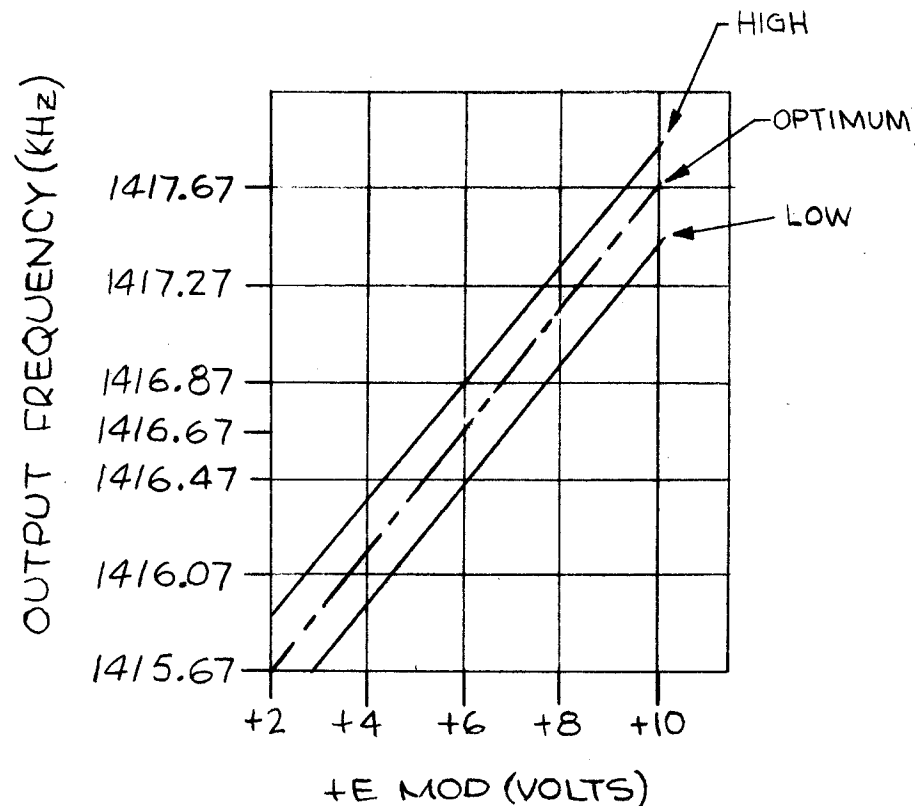
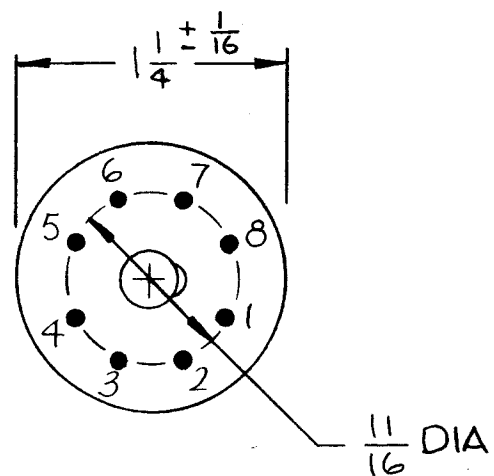
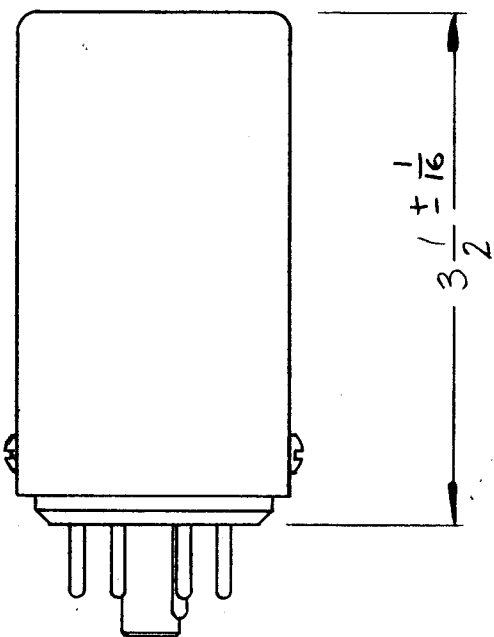


MARK TMC PART/No.
 $\frac{1}{8}$ HIGH GOTHIC W/LATEST
 REVISION LETTER. LETTERING
 AS SHOWN



PIN No.	DESCRIPTION
1	OVEN PILOT
2	+E MOD 2 TO 10V
3	HEATER
4	REG +12VDC OSC
5	OUTPUT
6	-E OSC
7	HEATER
8	-E MOD 2 TO 10V

A
AO126

REVISIONS					
SYM	DESCRIPTION	DATE	E.M.N. NO.	DRAFT	CHKD APPD
X	EXPERIMENTAL RELEASE	2/20/68	+	Wg.	
Ø	ORIGINAL RELEASE FOR PRODUCTION	7-22-68		C.V.	
A	FREQ. STAB. 1×10^{-5} WAS 6×10^{-7}	12/27/68	19/35	K.H.	

ELECTRICAL SPECS

CENTER FREQUENCY: 1.41667 MHz
 FREQUENCY STABILITY: 1×10^{-5} PER 24 HRS OVER THE
 TEMPERATURE RANGE OF 0° TO 55°C
 OPERATING TEMPERATURE RANGE: 0° TO 55°C
 OUTPUT: .07VRMS INTO 250 Ω LOAD
 WAVEFORM: SINE WAVE 20% MAX DISTORTION
 OSCILLATOR POWER: +12VDC REGULATED, @ 5 M.A. MAX
 OVEN POWER: 28VDC ±10% THERMOSTATICALLY
 CONTROLLED (SNAP-ACTION TYPE)
 10 WATTS PEAK.
 MODULATION: CONTROL SIGNAL: 2 TO 10VOLTS
 SENSITIVITY - 250 Hz/VOLT OVER 2 KHz (.07%)
 LINEARITY - WITHIN 50 Hz
 FREQUENCY RANGE - DC TO 10 KHz
 INPUT IMPEDANCE - 50 KΩ
 HUM: 60 ~ & 120 ~ HUM MUST BE - 65dB OR MORE

REQ'D.	ITEM	PART NUMBER	DESCRIPTION	SYMBOL
O. POSE LIST OF MATERIAL				
MATERIAL		THE TECHNICAL MATERIEL CORP. MAMARONECK, NEW YORK		
FINISH		TITLE OSC, OVENIZED		
UNLESS OTHERWISE SPECIFIED DIMENSIONS ARE IN INCHES AND INCLUDE CHEMICALLY APPLIED OR PLATED FINISHES		DRAWN Wg.	DATE 2/20/68	FINAL APPROVAL SM
		CHECKED Wg.	DATE 7-22-68	
		ELECT. DES. V. ANGER	DATE 2/20/68	AO126
		MECH. DES.	DATE	A
SHEET				REV. LTR.

1	SME-6	
Q'TY./UNIT	MODEL USED ON	ASS'Y. NO.
SCALE DO NOT SCALE	CODE	
THE CONTENTS OF THIS DRAWING ARE THE EXCLUSIVE PROPERTY OF THE TECHNICAL MATERIEL CORP. ITS UNAUTHORIZED USE OR REPRODUCTION IN WHOLE OR IN PART IS STRICTLY FORBIDDEN.		

NOTES