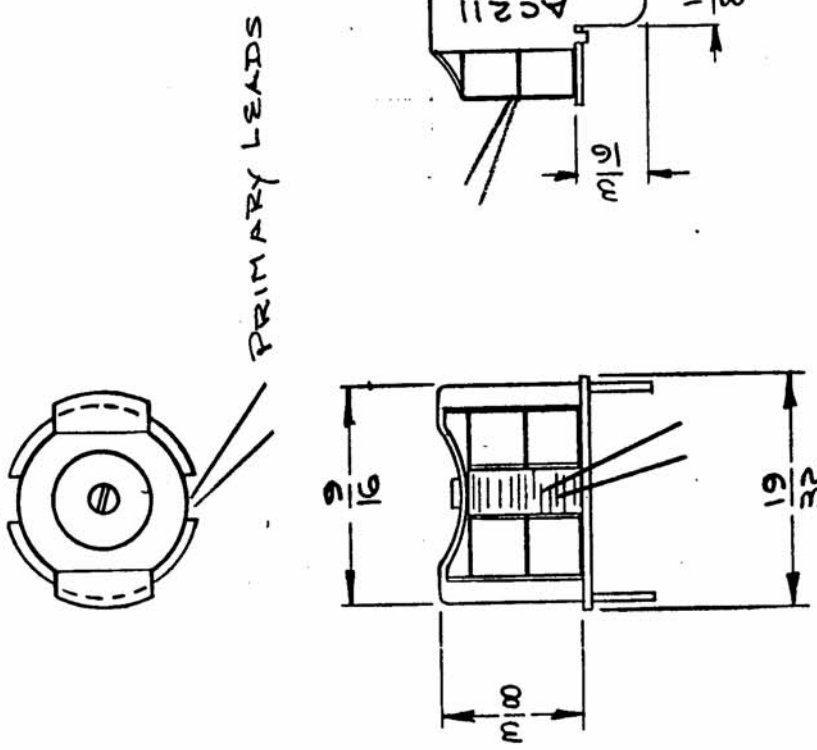
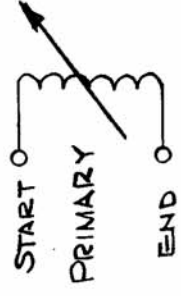


REQ. PER UNIT	MODEL	USED ON	
		ASSY. NO.	DATE
1	CMRA-1	A-421G	5-7-65
AC211 A			
ELECTRICAL SPECIFICATIONS (W/6 SLUG)			
OPERATING FREQUENCY: INDUCTANCE @ 79.5 KC PRIMARY: 32 MH ± 0.5 MH			
"Q" (PRIMARY) @ 79.5 KC MIN. 100			
MECHANICAL SPECIFICATIONS			
TURNS PRIMARY: 530			
RETAINER, BOTTOM: BRASS CAD PLATED RETAINER, TOP: NICKEL SILVER H/H MATERIAL: CORE & SLUG: FERRITE			



REQ. ITEM	PART NO.	DESCRIPTION	SYMBOL
		THE TECHNICAL MATERIEL CORP. MAMARONECK. NEW YORK	
	STOCK SIZE	COIL, RF ADJ.	
	MATERIAL	SYN-A-L4	
TYPE & TEMPER	HEAT TREAT. SPEC.	AL ALUSTW JQ 5/14/65	FINAL APPROVAL
	FINISH & SPEC. NO.		AC211 A
BYM	DESCRIPTION	DATE	CH. NO.
	UNLESS OTHERWISE SPECIFIED DIMENSIONS ARE IN INCHES AND INCLUDE CHEMICALLY APPLIED OR PLATED FINISHES	8-9-65/4636 DWT. J.P. N.H.	
	FRACTIONS ± 1/64 DECIMALS ± .01 ANGLES ± 0° 30'	5-7-65	Ø WLA
	TOLERANCES	SCALE 2:1	2A4258
	CODE	CHECKER	ENG. APP.
	A		