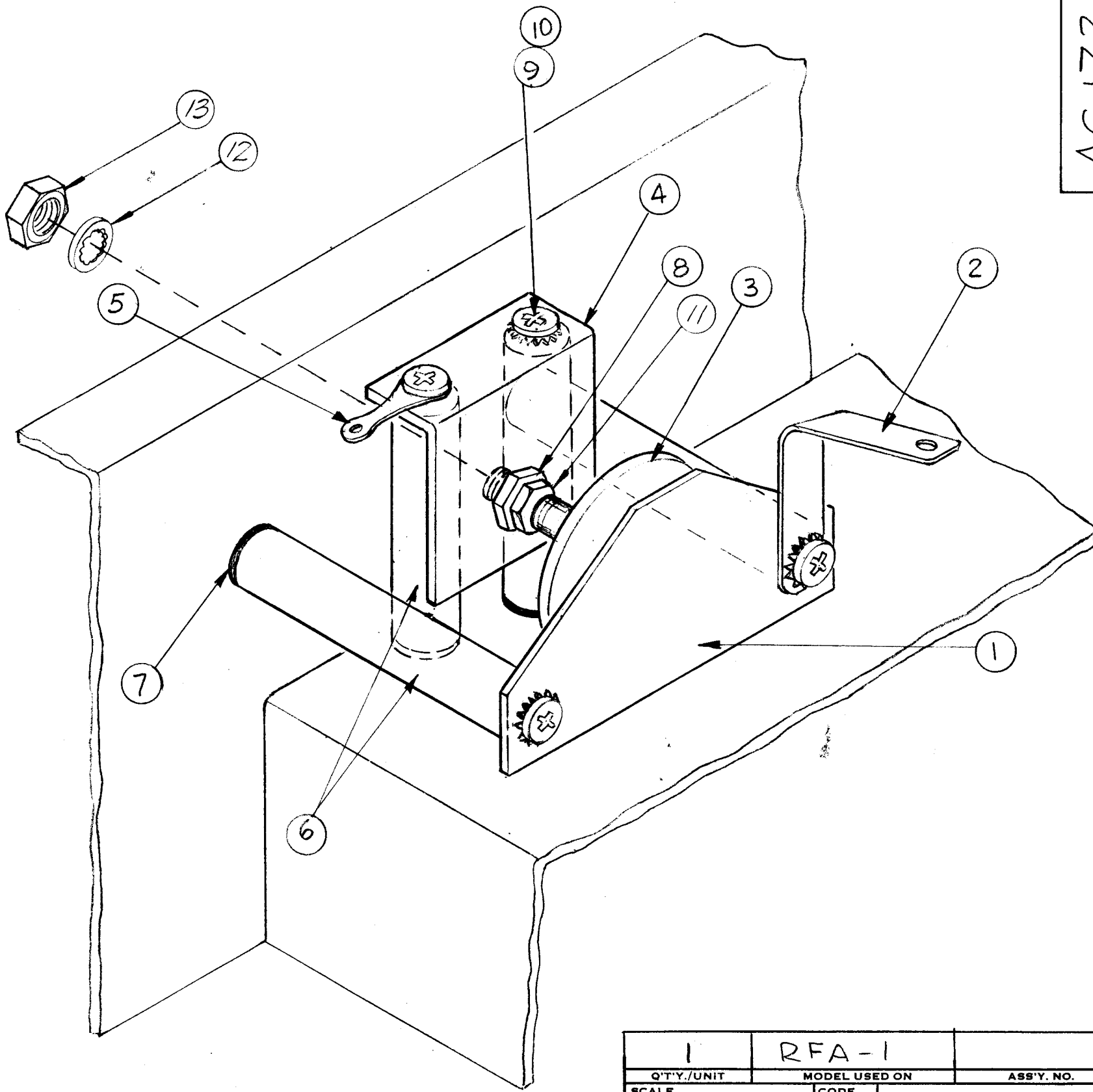


A
AC172



REVISIONS

SYM	DESCRIPTION	DATE	E.M.N. NO.	DRAFT	CHKD	APPD
Ø	ORIGINAL RELEASE FOR PRODUCTION	6/29/66	Ø	CV		<i>[Signature]</i>
A	ADDED ITS. 11, 12, 13	8/17/66	19955	GE		<i>[Signature]</i>

1	13	NTH3732BN 16	NUT, HEX	
1	12	LWI 37 MRN.	WASHER, LOCK, INT.	
1	11	NT 102	NUT,	
8	10	SCBP0832BN8	SCREW, MACHINE	
7	9	LWE 08 MRN	WASHER, LOCK EXT.	
1	8	BB 119	BUSHING, MACH. THD	
8	7	WA 109-46	WASHER, NM	
4	6	NS 3W0216	INSULATOR, STANDOFF	
1	5	TE 104-3	TERMINAL, LUG LKG	
1	4	MS 10423	BRACKET, MTG	
1	3	PM 10071	ROTOR NEUTRALIZING	
1	2	MS 202-5-2.37	LEAD, ELEC.	
1	1	MS 10428	PLATE, FIXED CAPACITOR	

REQ'D.	ITEM	PART NUMBER	DESCRIPTION	SYMBOL
--------	------	-------------	-------------	--------

LIST OF MATERIAL

MATERIAL		THE TECHNICAL MATERIEL CORP. MAMARONECK, NEW YORK			
FINISH		TITLE CAPACITOR, P.A. NEUTRALIZING			
UNLESS OTHERWISE SPECIFIED DIMENSIONS ARE IN INCHES AND INCLUDE CHEMICALLY APPLIED OR PLATED FINISHES		DRAWN G.D.L.	DATE 6-17-66	FINAL APPROVAL <i>[Signature]</i>	
DECIMALS .X ± .05 .XX ± .01 .XXX ± .005		CHECKED <i>[Signature]</i>	DATE 6/21/66	DATE 6/29/66	
FRACTIONS ± 1/64 ANGLES ± 0° 30'		ELECT. DES. aa	DATE 6/29/66	SHEET AC172	
TOLERANCES		MECH. DES.	DATE 6/22/66	REV. LTR. A	

1	RFA-1	
Q'TY./UNIT	MODEL USED ON	ASS'Y. NO.
SCALE 1:1	CODE	

THE CONTENTS OF THIS DRAWING ARE THE EXCLUSIVE PROPERTY OF THE TECHNICAL MATERIEL CORP. ITS UNAUTHORIZED USE OR REPRODUCTION IN WHOLE OR IN PART IS STRICTLY FORBIDDEN.

NOTES