

AC-166 I

USED ON	
MODEL	DATE
ASS'Y. NO.	

THE CONTENTS OF THIS DRAWING ARE THE EXCLUSIVE PROPERTY OF THE TECHNICAL MATERIEL CORP. ITS UNAUTHORIZED USE OR REPRODUCTION IN WHOLE OR IN PART IS STRICTLY FORBIDDEN.

MODEL	REQ	FUNCTION	FREQ(MC)	SYMBOL
HFR-1	1	BAND*6-1RF	12 - 16	
HFR-1	1	BAND*7-1RF	16 - 24	

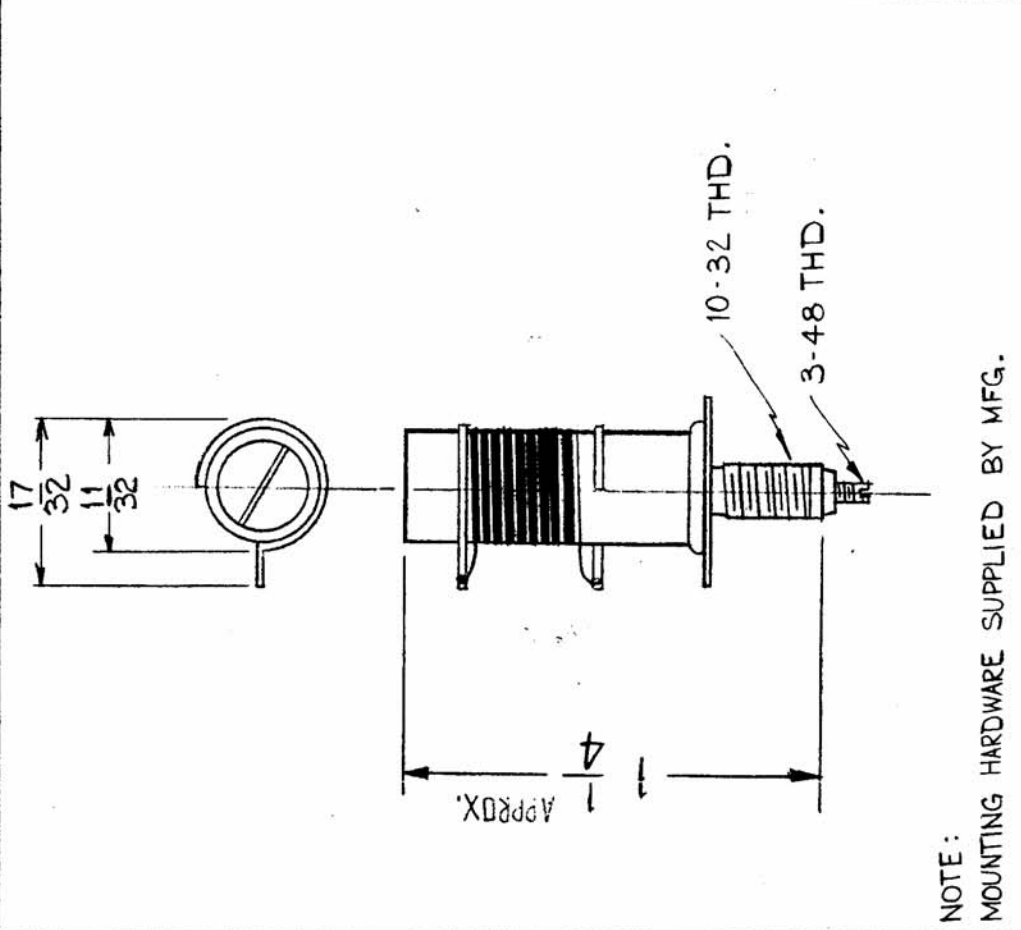
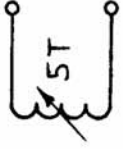
ELECTRICAL SPECIFICATIONS

L RANGE : 0.21.μh OR LESS TO 0.35 μh OR MORE  
 Q- 60 MIN. AT MIN. L, AT 25 MC

MECHANICAL SPECIFICATIONS

COIL FORM CERAMIC (STUD MTD)  
 5 TURNS  
 AWG #22 MAGNET WIRE

SCHEMATIC



REQ. ITEM	PART NO.	ANGER	DESCRIPTION	SYMBOL
			THE TECHNICAL MATERIEL CORP. MAMARONECK, NEW YORK	
			COIL, RF. TUNED	
MATERIAL		D.L.G. <i>HDe</i>		
TYPE & TEMPER		DRAWN <i>V. ANGER</i>		
HEAT TREAT. SPEC.		CHECKED <i>RDC</i>		
FINISH & SPEC. NO.		FINAL APPROVAL <i>AC-166 I</i>		
1			MODEL HFR-1/1, 2 REQ DELETED SYM. L1038 & L1043 DELETED	
SYM	DESCRIPTION	DATE	CH. NO.	DRAFTS
		11-27-62		<i>GH</i>
				SCALE: <b>A 2494</b>
UNLESS OTHERWISE SPECIFIED: DIMENSIONS ARE IN INCHES TOLERANCES ON FRAC. ± 1/64 DEC. ± .005 ANGLES ± 1/2°				
MAXIMUM ALLOWABLE TOLERANCES HAVE BEEN DETERMINED AND ANY DEVIATIONS WILL BE CAUSE FOR REJECTION. REMOVE ALL BURRS AND SHARP EDGES.				