

THE CONTENTS OF THIS DRAWING ARE THE EXCLUSIVE PROPERTY OF THE TECHNICAL MATERIEL CORP. ITS UNAUTHORIZED USE OR REPRODUCTION IN WHOLE OR IN PART IS STRICTLY FORBIDDEN.

REQ. PER UNIT

USED ON

DATE

AC-154

0

MODEL

ASSY. NO.

DATE

AC-154

0

GPR-92

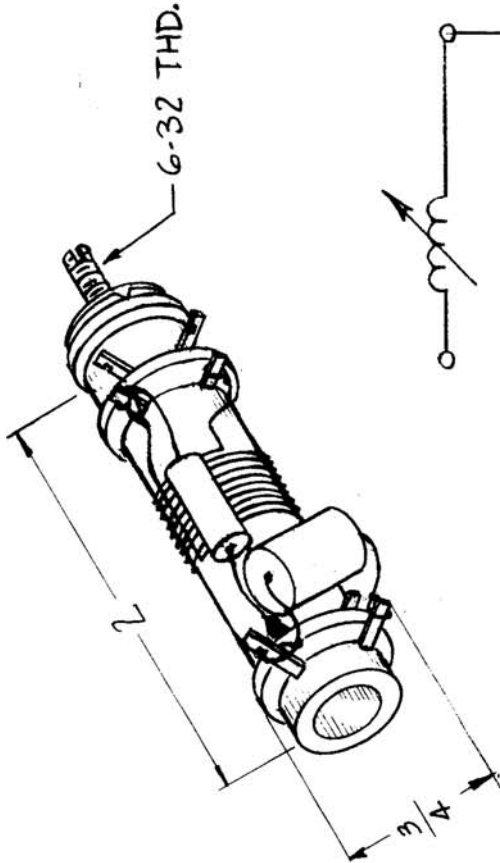
6-8-62

SYMBOL

FUNCTION

L114

1ST MIXER BANDS



SPECIFICATIONS

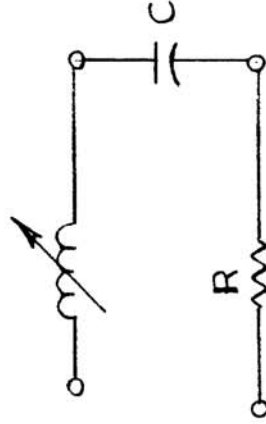
TURNS: 10 1/4

C: 5F

R: 15000Ω

FORM MATERIAL: STEATITE

FREQUENCY: 7.9MC



SCHEMATIC

REQ. ITEM	PART NO.	GELLMAN DESCRIPTION	SYMBOL
#	#	THE TECHNICAL MATERIEL CORP. MAMARONECK, NEW YORK	
	STOCK SIZE		
	#	COIL, R.F. TUNED ASSEMBLY	
	MATERIAL		
#	#	<i>lg</i>	
TYPE & TEMPER	HEAT TREAT. SPEC.	DRAWN	CHECKED
#	#	<i>MP</i>	
FINISH & SPEC. NO.		ELEC. DES. APP. MECH. DES. APP.	FINAL APPROVAL
			AC-154
			0
0	9.1.64	A.M. @	
SYM	DESCRIPTION	DATE	CH. NO. DRAFTS CHECKER ENG. APP.
			SCALE: 2A-2.474
UNLESS OTHERWISE SPECIFIED: DIMENSIONS ARE IN INCHES TOLERANCES ON FRAC. ± 1/4 DEC. ± .005 ANGLES ± 1/2°			
MAXIMUM ALLOWABLE TOLERANCES HAVE BEEN DETERMINED AND ANY DEVIATIONS WILL BE CAUSE FOR REJECTION. REMOVE ALL BURRS AND SHARP EDGES			