

THE CONTENTS OF THIS DRAWING ARE THE EXCLUSIVE PROPERTY OF THE TECHNICAL MATERIEL CORP. ITS UNAUTHORIZED USE OR REPRODUCTION IN WHOLE OR IN PART IS STRICTLY FORBIDDEN.

USED ON

ASS'Y. NO.

DATE

MODEL

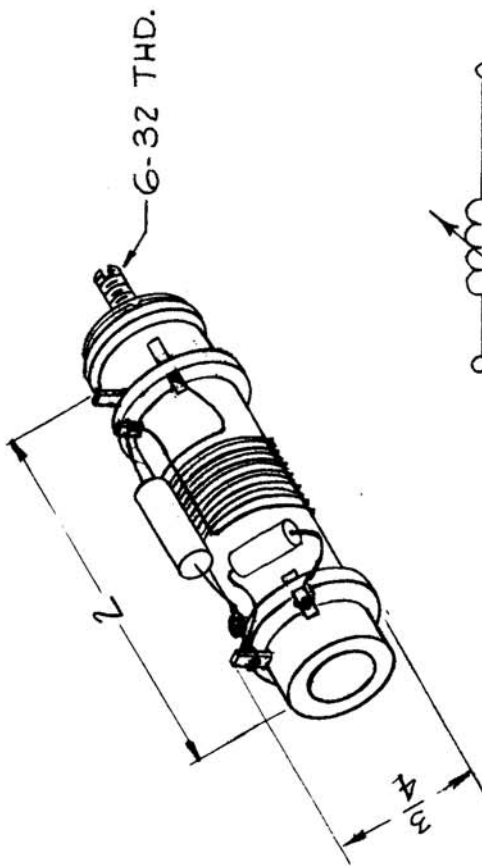
REQ. PER UNIT

AC-152 0

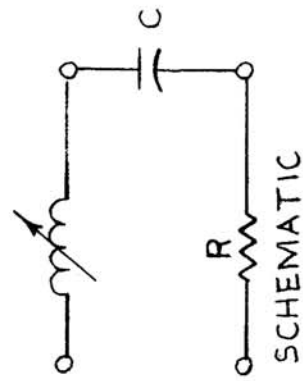
1 GPR-92

6-7-62

SYMBOL L10Z
FUNCTION 2ND R.F. BAND 4



SPECIFICATIONS
 TURNS: 19 1/4
 C: 5 PF
 R: 4700Ω
 FORM MATERIAL: STEATITE
 FREQUENCY: 7.9MC



UNLESS OTHERWISE SPECIFIED:
 DIMENSIONS ARE IN INCHES
 TOLERANCES ON
 FRAC. ± 1/64 DEC. ± .005 ANGLES ± 1/2°

DATE 9.1.64
 CH. NO. 0
 DRAFTS A.M.

SCALE: 2A-2467
 CHECKER
 ENG. APP.

MAXIMUM ALLOWABLE TOLERANCES HAVE BEEN DETERMINED AND ANY DEVIATIONS WILL BE CAUSE FOR REJECTION. REMOVE ALL BURRS AND SHARP EDGES

REQ. ITEM	PART NO.	GELLMAN DESCRIPTION	SYMBOL
#	#	THE TECHNICAL MATERIEL CORP. MAMARONECK, NEW YORK	
#	#	COIL, R.F., TUNED ASSEMBLY	
#	#	MATERIAL	
#	#	TYPE & TEMPER	
#	#	HEAT TREAT. SPEC.	
#	#	FINISH & SPEC. NO.	
DESCRIPTION		COIL, R.F., TUNED ASSEMBLY	
UNLESS OTHERWISE SPECIFIED: DIMENSIONS ARE IN INCHES TOLERANCES ON FRAC. ± 1/64 DEC. ± .005 ANGLES ± 1/2°		COIL, R.F., TUNED ASSEMBLY	
DATE 9.1.64 CH. NO. 0 DRAFTS A.M.		COIL, R.F., TUNED ASSEMBLY	
SCALE: 2A-2467 CHECKER ENG. APP.		COIL, R.F., TUNED ASSEMBLY	
MAXIMUM ALLOWABLE TOLERANCES HAVE BEEN DETERMINED AND ANY DEVIATIONS WILL BE CAUSE FOR REJECTION. REMOVE ALL BURRS AND SHARP EDGES		COIL, R.F., TUNED ASSEMBLY	
DRAWN		COIL, R.F., TUNED ASSEMBLY	
CHECKED		COIL, R.F., TUNED ASSEMBLY	
FINAL APPROVAL		COIL, R.F., TUNED ASSEMBLY	
ELEC. DES. APP.		COIL, R.F., TUNED ASSEMBLY	
MECH. DES. APP.		COIL, R.F., TUNED ASSEMBLY	
AC-152 0		COIL, R.F., TUNED ASSEMBLY	