

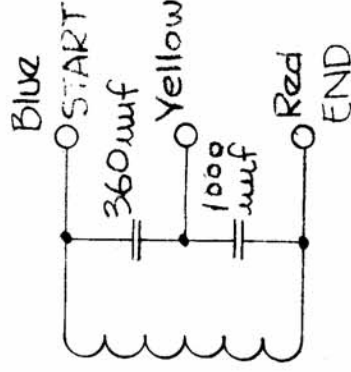
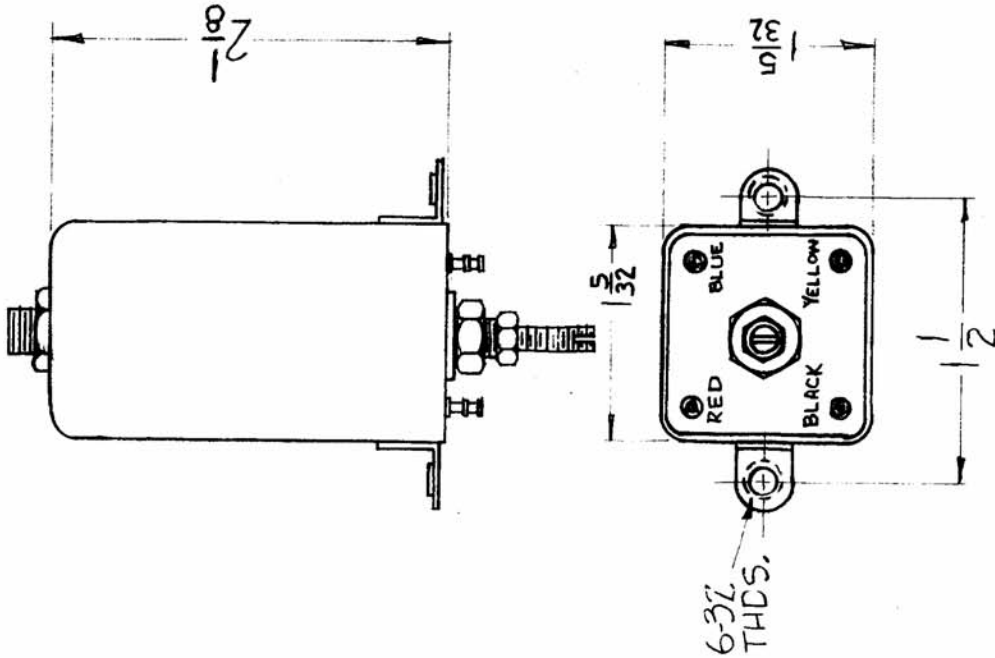
REQ. PER. UNIT
 MODEL TIS-3
 APPT. NO.
 DATE 11-28-60

AG-135

C

ELECTRICAL SPECIFICATIONS

NOMINAL IND 2.5 mh
 MIN IND < 1.5 mh
 MAX IND > 3.5 mh
 Q AT NOMINAL IND > 50 AT 250KC.



REQ. ITEM	PART NO.	DESCRIPTION	SYMBOL
C		THE TECHNICAL MATERIEL CORP. MAMARONECK, NEW YORK	
B		COIL, R.F. TUNED	
A			
ISSUE ITEM	CHANGED FROM		
TOLERANCES			
DEC. DIM. ±			
FRAC. DIM. ±			
ANGULAR DIM. ±			
SCALE: 2A-2028			
MAXIMUM ALLOWABLE TOLERANCES HAVE BEEN DETERMINED AND ANY DEVIATIONS WILL BE CAUSE FOR REJECTION. REMOVE ALL BURRS AND SHARP EDGES			
4-19-67	18073	L.A.K.	HA
2-16-61	4201	RU	QC
12-27-60	3817	RU	QC
DATE	CH. NO.	DRAFTS	CHECKER
			ENG. APP.
DRAWN: [Signature] CHECKED: [Signature]			
FINAL APPROVAL: [Signature]			
AC135			
ELEC. DES. APP. MECH. DES. APP.			