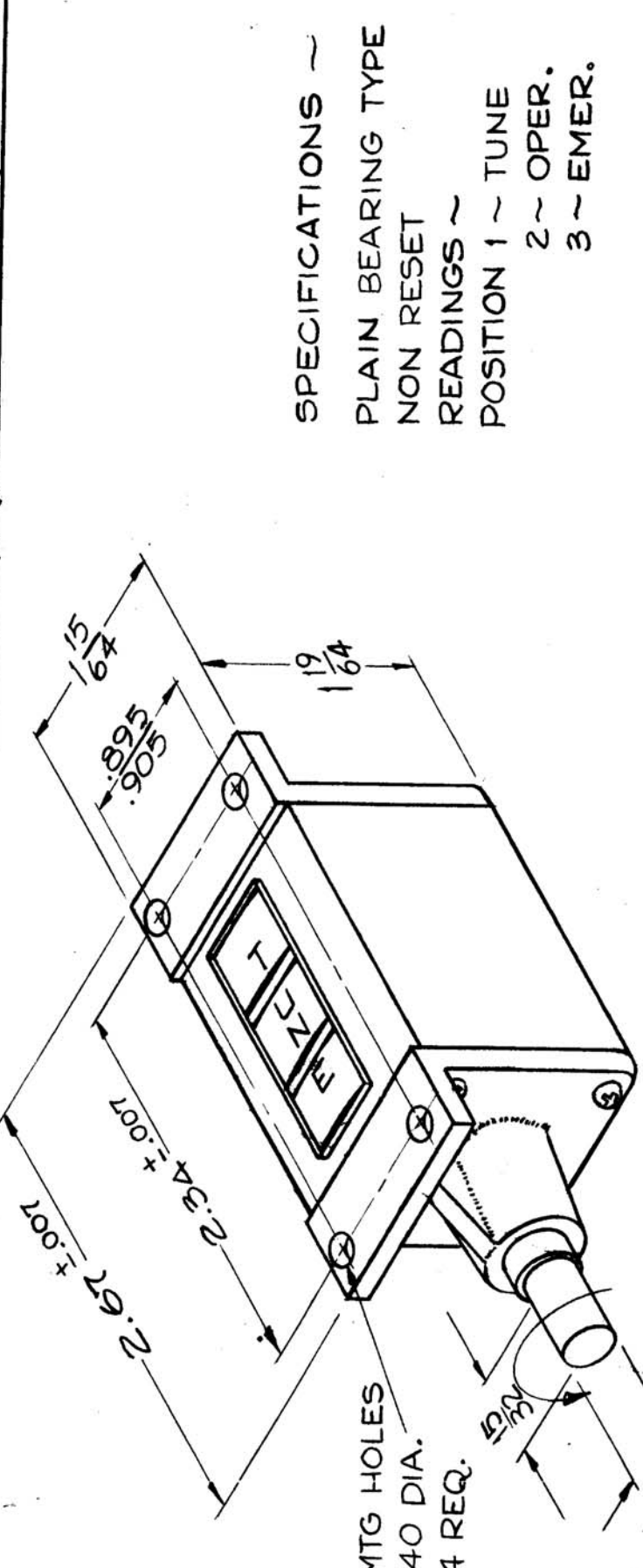


REQ. PER UNIT 1  
 MODEL AX 209  
 USED ON GPT 40K  
 ASSY. NO. 1-30-80  
 DATE

AC108 B



SPECIFICATIONS ~  
 PLAIN BEARING TYPE  
 NON RESET  
 READINGS ~  
 POSITION 1 ~ TUNE  
 2 ~ OPER.  
 3 ~ EMER.

ROTATION - COUNTER-CLOCKWISE

REG. ITEM	DESCRIPTION	PART NO.	SYMBOL
B	REF WAS 4A-1820		THE TECHNICAL MATERIEL CORP. MAMARONECK, NEW YORK
A	ROTATION WAS CLOCKWISE		COUNTER, MUDE
ISSUE ITEM	CHANGED FROM	MATERIAL	
	DATE	HEAT TREAT. SPEC.	
	CH. NO.	DRAWN	J.C. Biele
	DRAFTS	CHECKED	
	CHECKER	FINISH & SPEC. N.	
	ENG. APP.	FINAL APPROVAL	AC108 B
TOLERANCES			
SCALE: A3116-6			
MAXIMUM ALLOWABLE TOLERANCES HAVE BEEN DETERMINED AND ANY DEVIATIONS WILL BE CAUSE FOR REJECTI N. REMOVE ALL BURRS AND SHARP EDGES			
DEC. DIM. ±			
FRAC. DIM. ±			
ANGULAR DIM. ±			
ELEC. DES. APPR. HGH. DES. APP			