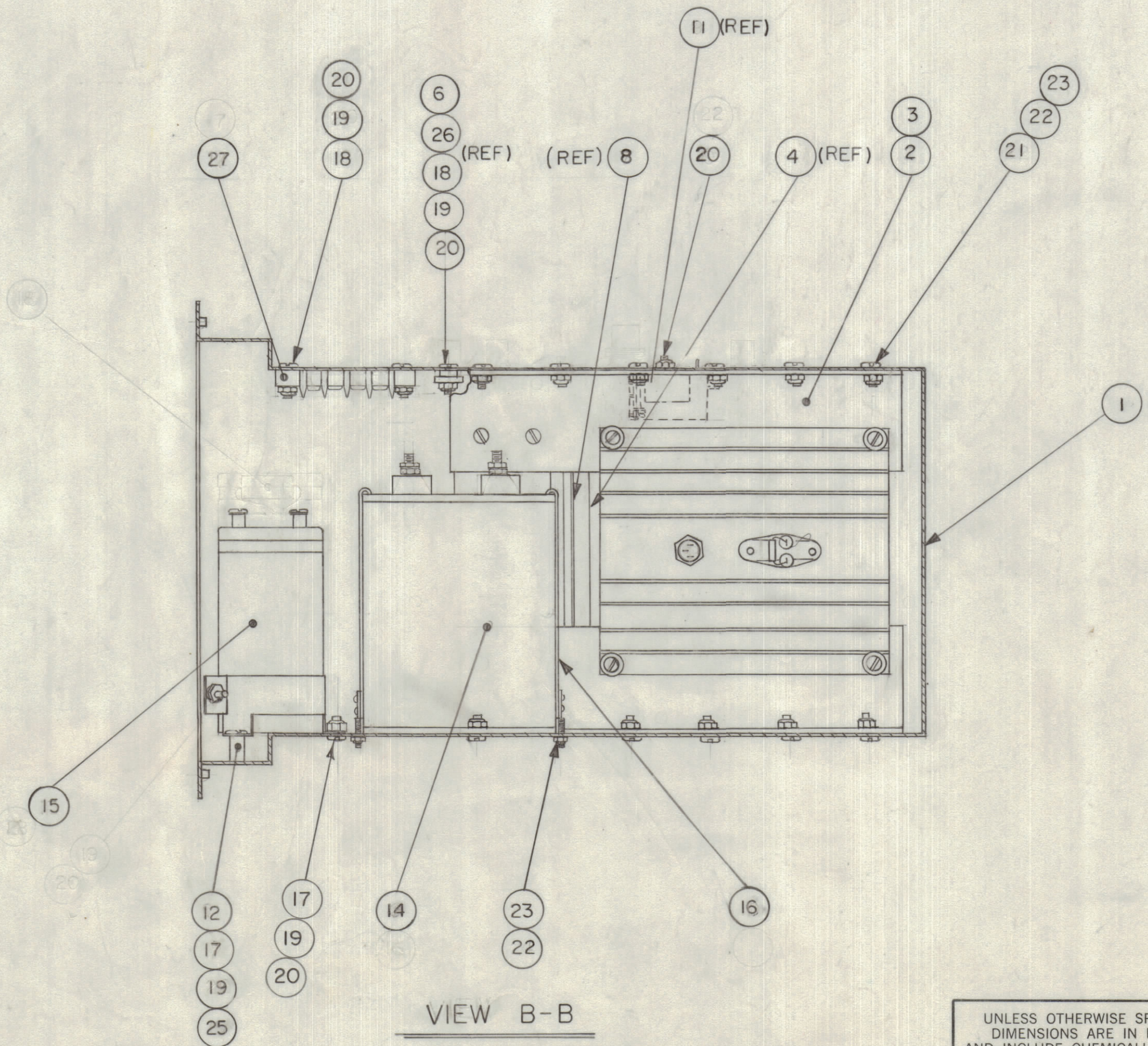
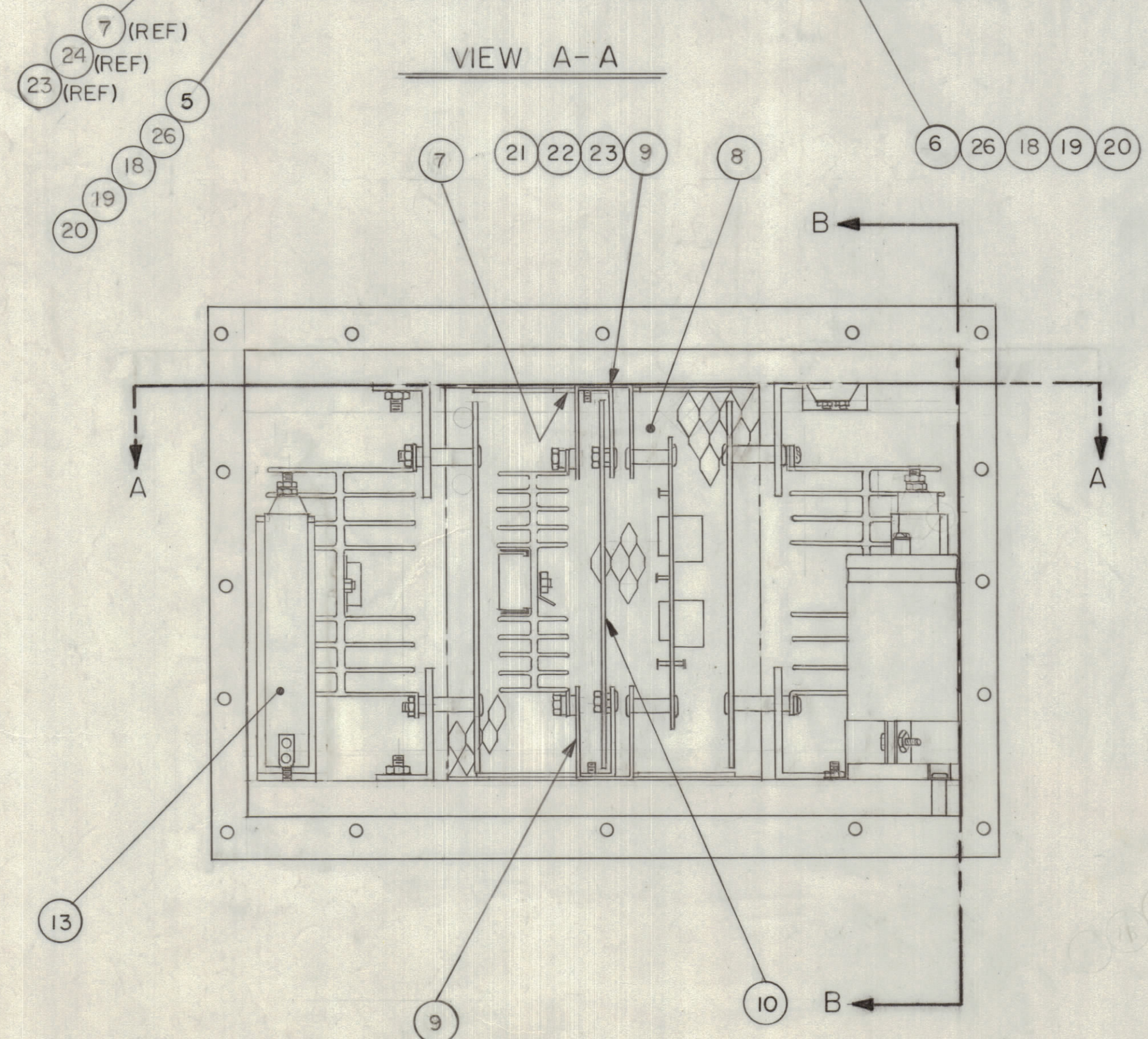
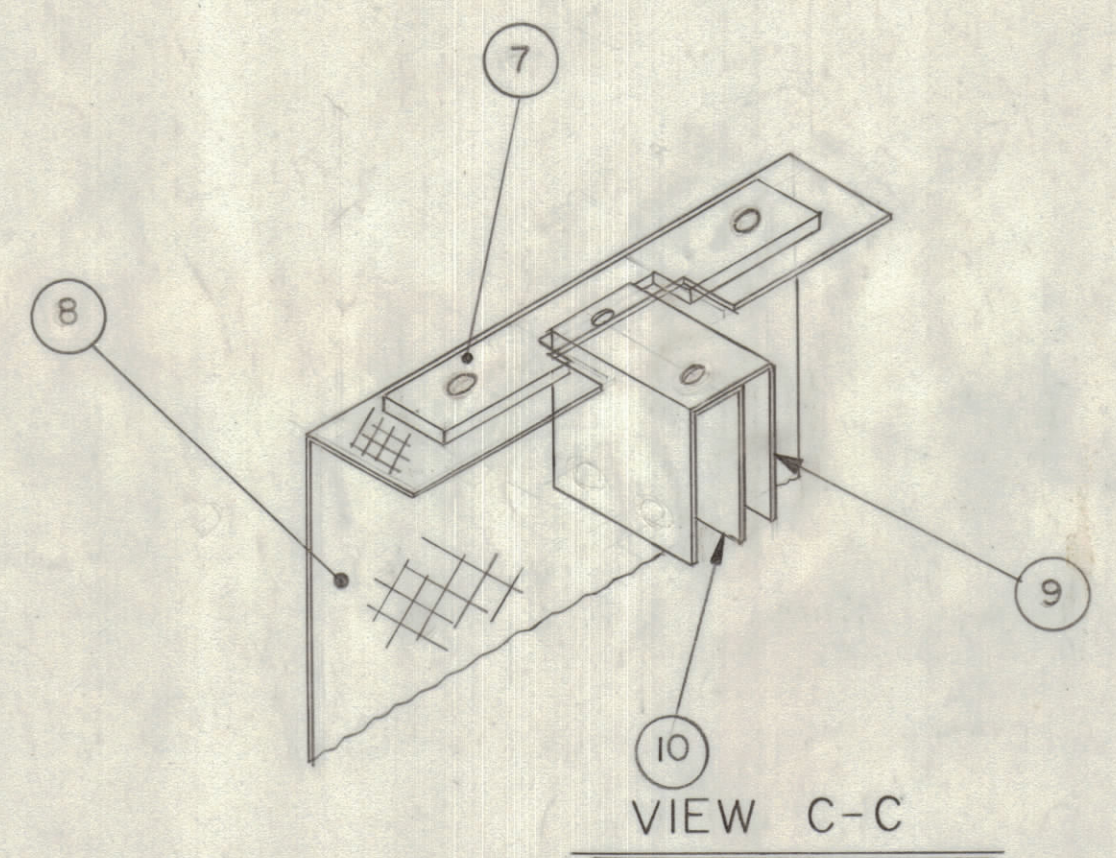
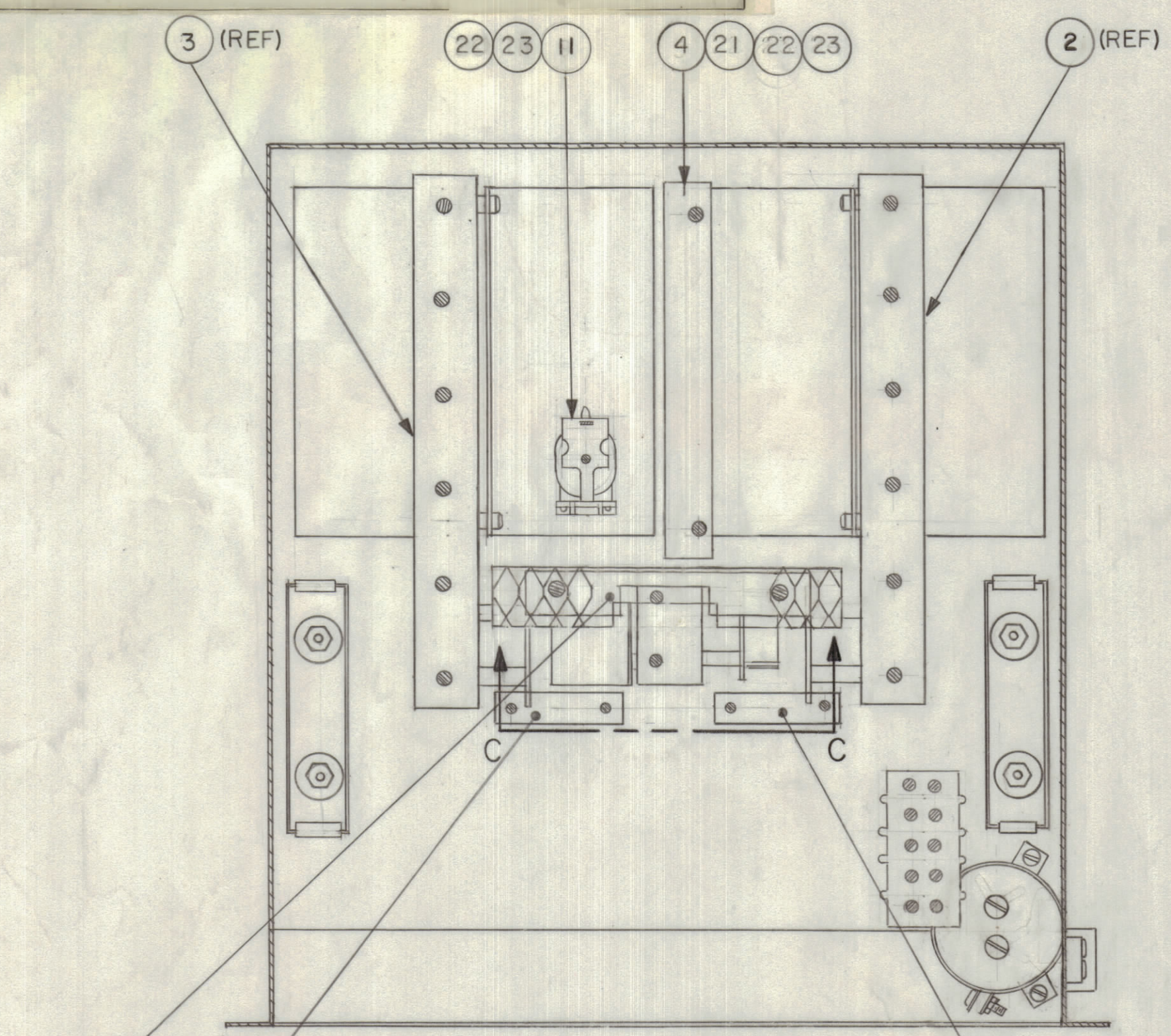


REVISIONS						
ZONE	LTR	DESCRIPTION	DATE	E.M.N.NO	DRAFT	CHKD
	X	WAS FOR 12D7244	3/14/68		CB	
	Ø	ORIGINAL RELEASE FOR PRODUCTION	8/25/69		CB	

NOTES  
 1. VENDOR H.H. SMITH INC, BROOKLN, NEW YORK 11207  
 2. VENDOR CINCH JONES

REFERENCE DRAWINGS  
 SCHEMATIC-VIDEO MODULATOR CK814215



QTY. REQ.	ITEM	PART NO.	DESCRIPTION	SYMBOL
1	27	4-141	BARRIER STRIP	NOTE 2 TB2
4	26	NO. 6	BUSHING, NYLON	
2	25	NO. 6	LOCKWASHER	
4	24	NO.8-32NC-2A	BINDER HD. SCREW 3/8" LG. BRASS NI PL.	
31	23	NO.10-32NC-2B	ELASTIC STOP NUT BRASS CAD	
31	22	NO.10	FLAT WASHER, BRASS NI PL	
32	21	NO.10-32NC-2A	BINDER HD. SCREW 1/2" LG. BRASS NI PL	
14	20	NO.6-32NC-2B	ELASTIC STOP NUT, BRASS CAD	
8	19	NO.6	FLAT WASHER, BRASS NI PL	
8	18	NO.6-32NC-2A	BINDER HD. SCREW 5/8 LG., BRASS NI PL	
6	17	NO.6-32NC-2A	BINDER HD. SCREW 3/8 LG. BRASS NI PL	
4	16	CP07SC4	BRACKET	
1	15	CG72T300D1	CAPACITOR, ELECTROLYTIC 700MFD 300VDC	C5
1	14	CP70EIFFI06K	CAPACITOR 10MFD 600 VDC	C4
1	13	CP70EIFFI06KI	CAPACITOR 10 MFD 600 VDC	C8
1	12	8776	SPACER, BRASS CAD. 1/40D X 5/8 LG. 6-32	NOTE 1
1	11	RL8001	MODIFIED RELAY	K29
1	10	A8098	DRIVER ASSEMBLY	
1	9	A8093	AMPLIFIER ASSEMBLY	
1	8	MS8374	INTERSTAGE SHIELD	
1	7	MS8321	NUT STRAP	
1	6	MS8371	BY-PASS BLEEDER BOARD	
1	5	A8046	BY-PASS BLEEDER BOARD	
1	4	MS8376	OUTPUT DIVIDER SHIELD	
1	3	A8068	FINAL AMPLIFIER ASSEMBLY LEFT SIDE	
1	2	A8068	FINAL AMPLIFIER ASSEMBLY RIGHT SIDE	
1	1	MS8363	CHASSIS WELDMENT	

LIST OF MATERIAL

1	SPT-3KVHF	Ax8038
QTY / UNIT	MODEL USED ON	ASS'Y NO.
APPLICATION		
CODE		

UNLESS OTHERWISE SPECIFIED DIMENSIONS ARE IN INCHES AND INCLUDE CHEMICALLY APPLIED OR PLATED FINISHES

TOLERANCES ON  
 DECIMALS: X ± .05, XX ± .01, XXX ± .005  
 FRACTIONS: ± 1/64  
 ANGLES: ± 0°-30'

FINAL APPROVAL: [Signature] DATE: 1 AUG 68  
 MECH. DES: [Signature] DATE: 8-15-69  
 ELECT. DES: P.T. DATE: 30 Jul 68  
 CHECKED: P.T. DATE: 30 Jul 68  
 DRAWN: C.B. DATE: 7-1-68

THE TECHNICAL MATERIEL CORP.  
 MAMARONECK, NEW YORK

CHASSIS ASSEMBLY

SIZE: D 82679  
 CODE IDENT. NO.: A80654  
 DWG NO.:  
 SCALE: 1/2  
 SHEET: 1 OF 1

NOTICE TO PERSONS RECEIVING THIS DRAWING  
 THE TECHNICAL MATERIEL CORPORATION claims proprietary right in the material disclosed herein. This drawing is issued in confidence for engineering information only and may not be reproduced or used to manufacture anything shown hereon without permission from THE TECHNICAL MATERIEL CORPORATION to the user. This drawing is loaned for mutual assistance and is subject to recall at any time.