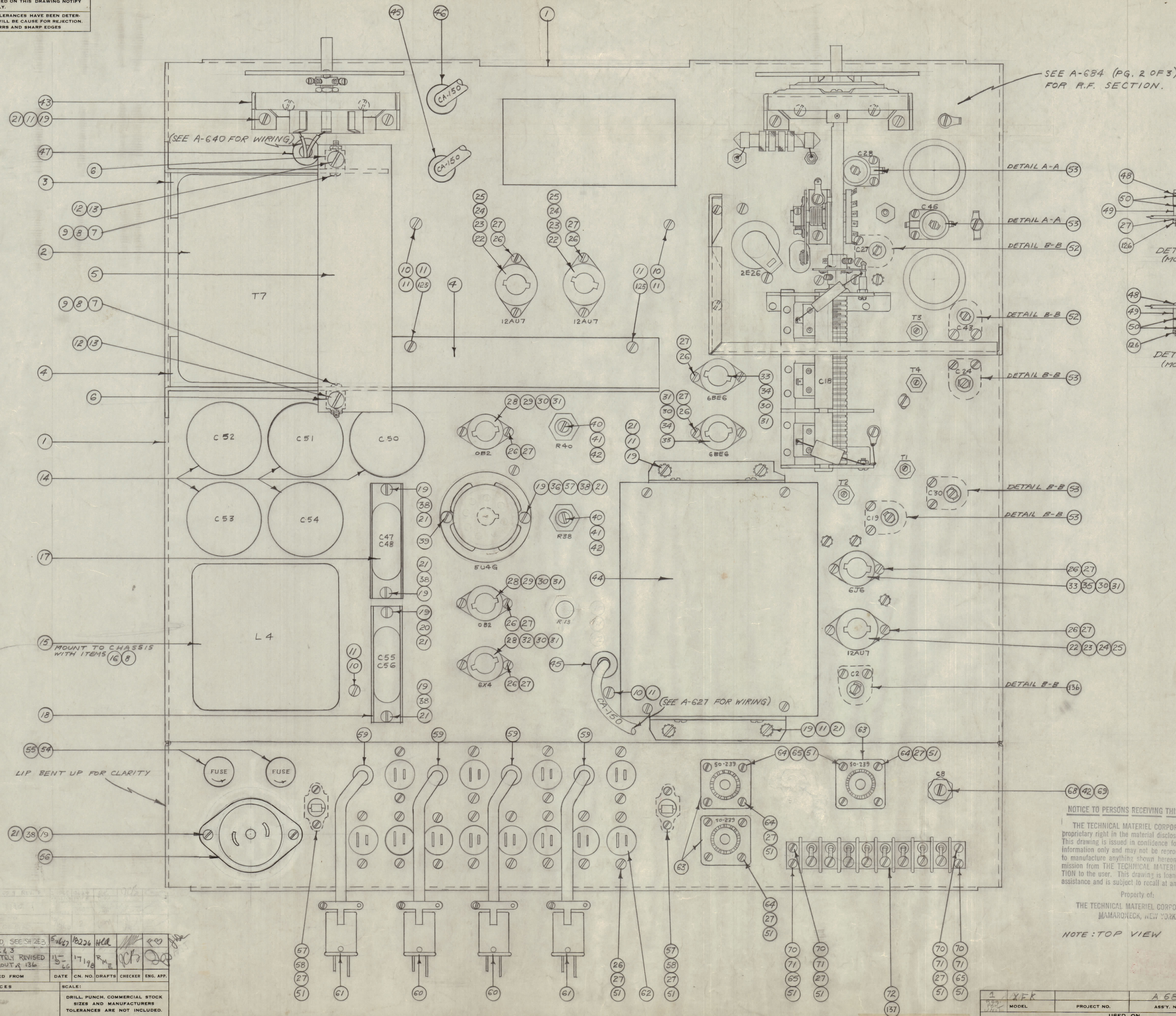
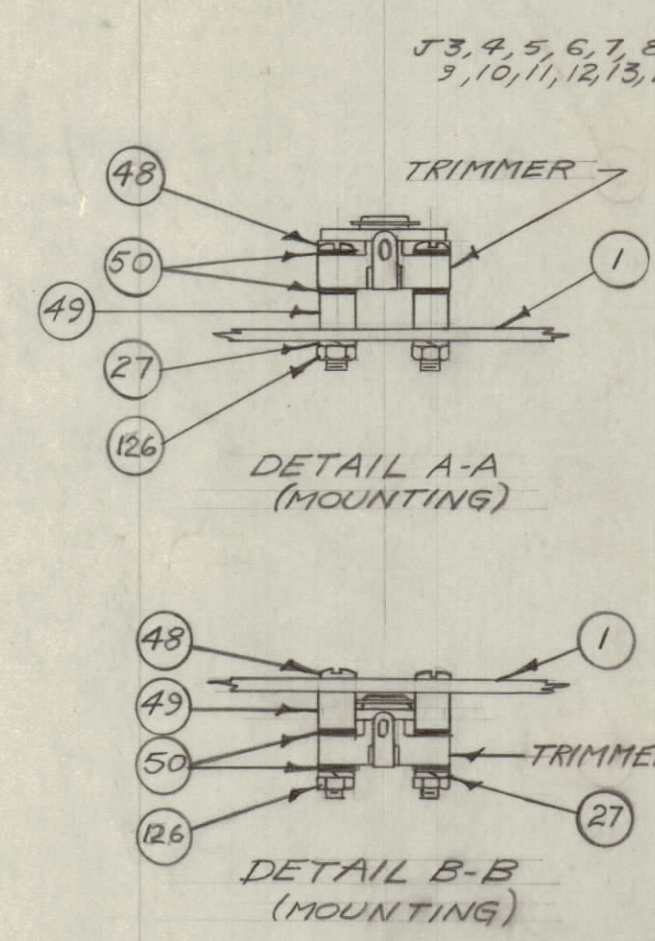


IF IT IS FOUND DESIRABLE TO CHANGE ANY TOLERANCE OR OTHER DETAIL SPECIFIED ON THIS DRAWING NOTIFY THE PURCHASER PROMPTLY.  
 MAXIMUM ALLOWABLE TOLERANCES HAVE BEEN DETERMINED AND DEVIATIONS WILL BE CAUSE FOR REJECTION. REMOVE ALL BURRS AND SHARP EDGES



SEE A-684 (PG. 2 OF 3) FOR R.F. SECTION.



NOTICE TO PERSONS RECEIVING THIS DRAWING  
 THE TECHNICAL MATERIEL CORPORATION claims proprietary right in the material disclosed hereon. This drawing is issued in confidence for engineering information only and may not be reproduced or used to manufacture anything shown herein without permission from THE TECHNICAL MATERIEL CORPORATION to the user. This drawing is loaned for mutual assistance and is subject to recall at any time.

Property of:  
 THE TECHNICAL MATERIEL CORPORATION  
 MAMARONECK, NEW YORK  
 NOTE: TOP VIEW

REQ. ITEM	PART NO.	DESCRIPTION	SYMBOL
1	74	CB-107	CAPACITOR, VAR. C18
1	73	A-641	BRACKET & VERNIER ASSY
1	72	TM-100-8	STRIP, TERMINAL E1
2	71	MS-154-1	STRADDLE PLATE
4	70	SCBP0440BN8	SCREW, MACH.
1	69	PO-104	LOCK, SHAFT
1	68	CB-103-3	CAPACITOR, VAR. C8
67		DELETED	
66		DELETED	
5	65	TE-104-1	LUG, SOLDER #4
16	64	SCBP0440BN5	SCREW, MACH.
3	63	SO-239A	JACK, CONNECTOR J1,2
12	62	J-119-2	CONNECTOR, FEMALE
2	61	CA-209-2	CABLE, REAR
2	60	CA-209-1	CABLE, REAR
4	59	CU-107-1	STRAIN RELIEF
2	58	FS-108	CATCH, SPRING
4	57	SCFP0440BN4	SCREW, MACH.
1	56	JJ-175	CONN, RECP, ML, AG 3/C, TWLK J16
2	55	FU-100-3	FUSE, CARTRIDGE F1,2
2	54	FH-100-2	HOLDER, FUSE XFL XFS
5	53	CV11A120	CAP, VAR., CERAMIC
2	52	CV11A070	CAP., VAR., CERAMIC C27,43
65	51	NTH0440BC8	NUT, HEX. C27,43
32	50	WA-109-17	WASHER, FIBRE
16	49	TE-117-21	SPACER
16	48	SCBP0440BN10	SCREW, MACH.
1	47	EY-102-1	GROMMET, ELASTIC
1	46	EY-102-5	GROMMET, ELASTIC
2	45	EY-102-3	GROMMET, ELASTIC
1	44	A-627	200 KC. OVEN ASSY.
1	43	A-640	DIAL, BRACK., & RES. ASS'Y.
3	42	NTH3732BN16	NUT, HEX.
2	41	LW137MRN	LOCKWASHER, INT.
2	40	RA-100-ASSET103A	RESISTOR, VAR. (38, 40) A 684 H
1	39	5U4G	TUBE, ELECTRON (V8)
8	38	LWS06MRN	LOCKWASHER, SPLIT
2	37	TS-101-PO1	SOCKET, TUBE, OCTAL (XV5, 8)
1	36	CU-180-6	CLAMP, TUBE
1	35	6J6	TUBE, ELECTRON (V1)
2	34	6BE6	TUBE, ELECTRON (V3, V4)
3	33	TS-102-U02	SHIELD, TUBE
1	32	6X4	TUBE, ELECTRON V9
6	31	NT-101-4	NUT, STRAP
6	30	TS-102-PO1	SOCKET, TUBE XVI, 5, 8, 10, 11
2	29	OB2	TUBE, ELECTRON V10, 11
3	28	TS-102-U03	SHIELD, TUBE
58	27	LWS04MRN	LOCKWASHER, SPLIT
51	26	SCBP0440BN4	SCREW, MACH.
3	25	NT-101-5	NUT, STRAP
3	24	TS-103-PO1	SOCKET, TUBE V12, V6, V7
3	23	12AU7	TUBE, ELECTRON
3	22	TS-103-U02	SHIELD, TUBE
30	21	NTH0632BN8	NUT, HEX.
10	20	TE-104-2	LUG, SOLDER #6
24	19	SCBP0632BN4	SCREW, MACH.
1	18	CP6384EF503M	CAP, FIXED, PAPER, DUAL C55, C56
1	17	CP6384EF503M	CAP, FIXED, PAPER, DUAL C47, C48
7	16	SCBP0832BN5	SCREW, MACH.
1	15	TF-5001	REACTOR, FILTER L4
5	14	CPA02DF405Y	CAPACITOR, FIXED, PAPER C50, 51, 52, 53, 54
5	13	LWS10MRN	LOCKWASHER, SPLIT
2	12	SCBP1072BN8	SCREW, MACH.
22	11	LWE06MRN	LOCKWASHER, EXT.
8	10	SCBP0632BN5	SCREW, MACH.
4	9	NTH0832BN8	NUT, HEX.
3	8	LWS08MRN	LOCKWASHER, SPLIT
4	7	SCBP0832BN10	SCREW, MACH.
2	6	PM-249	TRANS. SUPPORTS
1	5	MS-407	TRANS. BRACKET, TOP
1	4	MS-409	TRANS. BRACKET, REAR
1	3	MS-408	TRANS. BRACKET, FRONT
1	2	TF-105	TRANS., POWER T7
1	1	LD188/MS208	MAIN CHASSIS

H	IT, SC, WAS JJ100 SEE SH 28-3	5/16/54	16206	HCL		
G	SEE SHEET 2 & 3	11-26	17198	FM		
ISSUE	ITEM	CHANGED FROM	DATE	CN. NO.	DRAFTS	CHECKER
TOLERANCES						
SCALE:						
DRILL PUNCH, COMMERCIAL STOCK						
SIZES AND MANUFACTURERS						
TOLERANCES ARE NOT INCLUDED.						

1	XFK	PROJECT NO.	A 689	ASSY. NO.	2-9-54	DATE
USED ON						