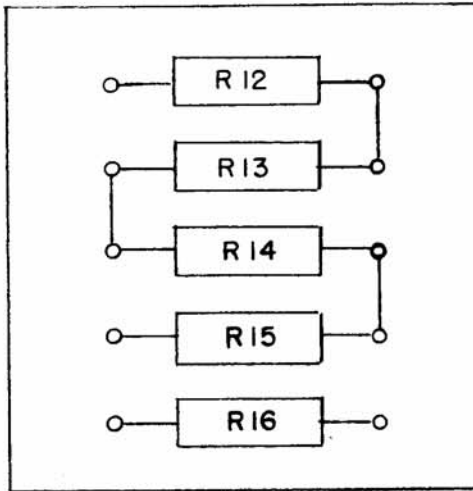
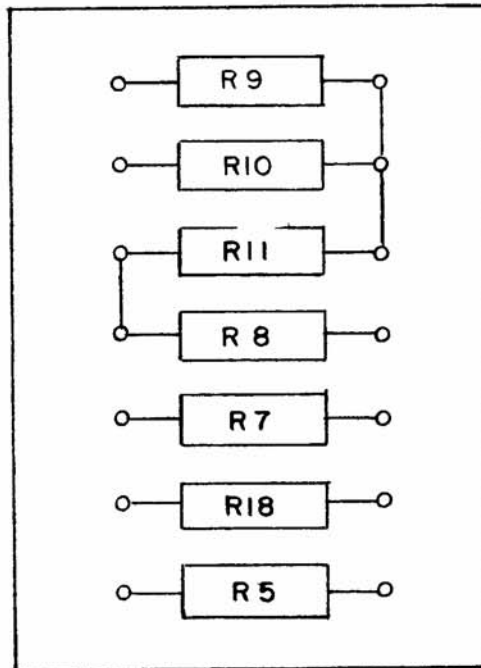


A-652



TB-1



TB-2

TERMINAL BOARD CARRIER TELEGRAPH TRANSMITTER MODEL TAK-1		
THE TECHNICAL MATERIEL CORPORATION MAMARONECK, NEW YORK		
DATE	2-20-51	CHKD. <i>AKB</i>
DRAWN	<i>AKB</i>	APP'D. <i>AK</i>
SHEET	OF	10 A-652