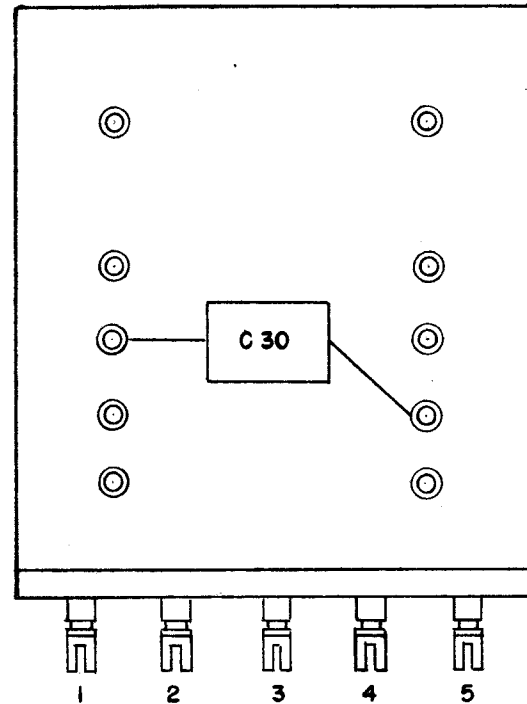
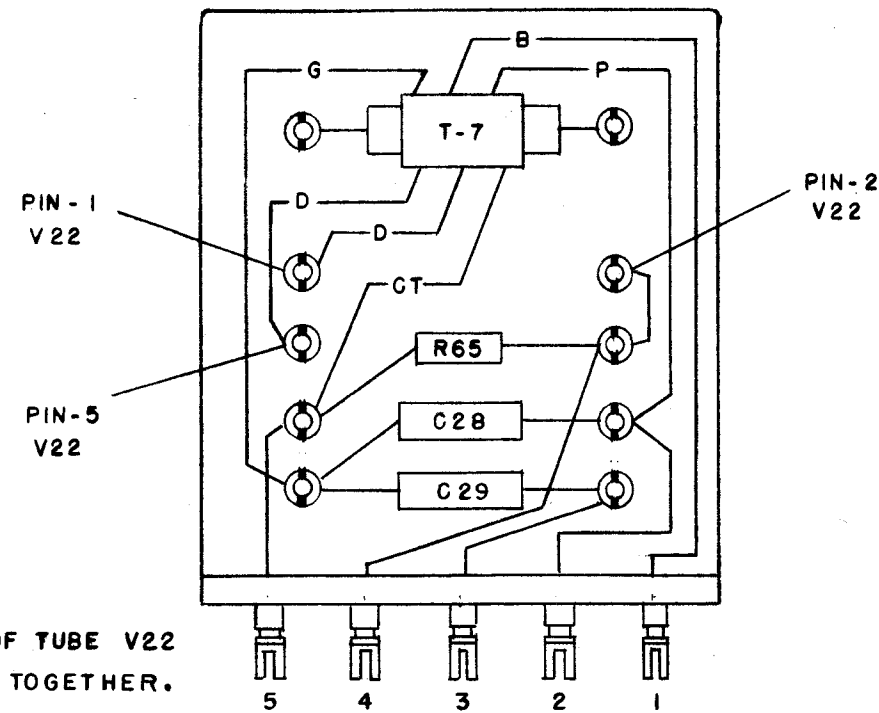


REAR VIEW

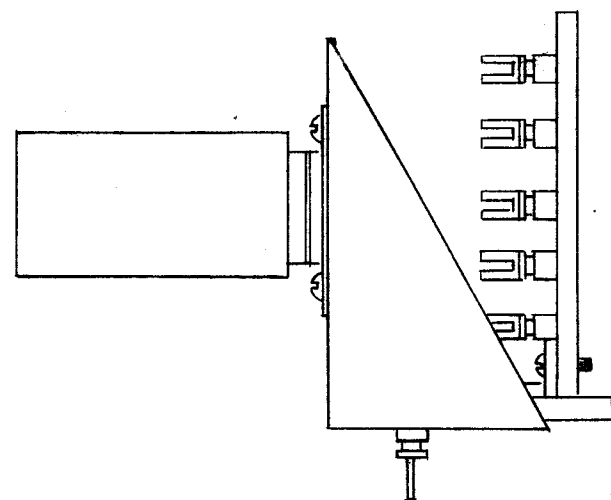
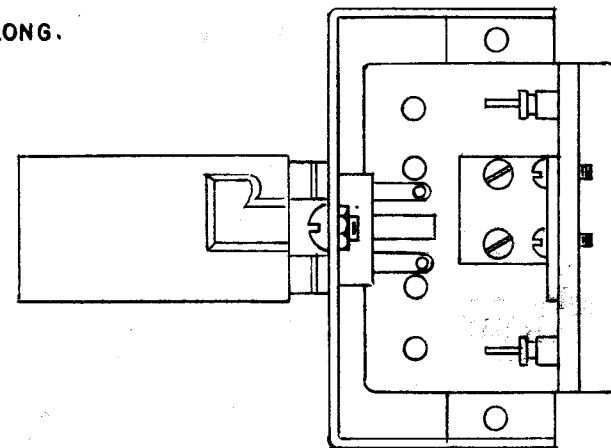
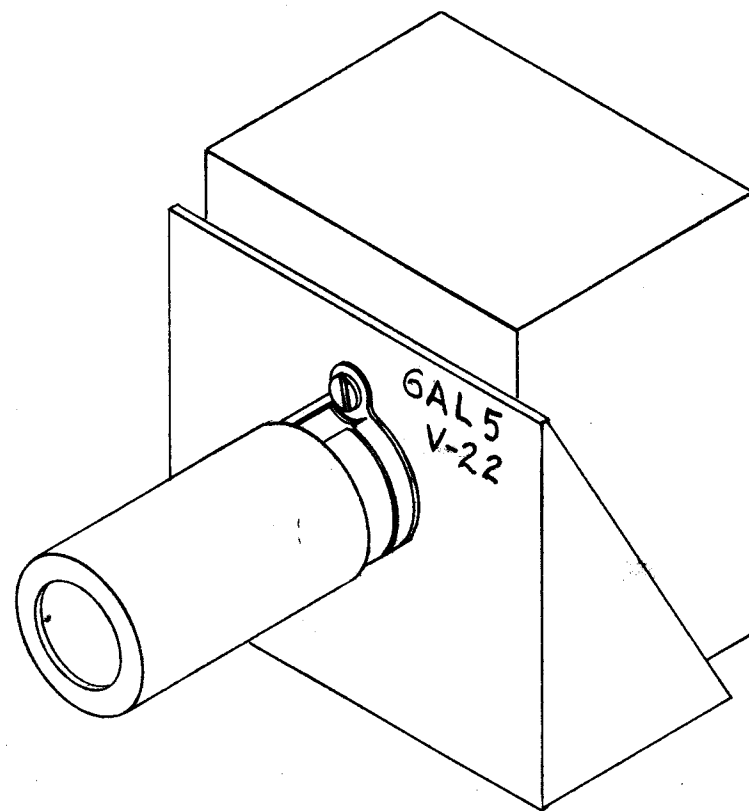


FRONT VIEW

(TERMINALS UP)



NOTE:
 PIN-2 AND PIN-7 OF TUBE V22
 TO BE CONNECTED TOGETHER.
 PIN-4 GROUND.
 PIN-3 FILAMENT LEAD 5" LONG.



Bill of Materials

Sym	Description	Part No.	QTY
C28	Capacitor, fixed: mica; 200 mmf., ±10% char A, 500 wvdc	CM20A201K	1
C29	Same as C28	CM20A201K	1
C30	Capacitor, fixed: mica, 1000 mmf; ±10%, char A, 500 wvdc.	CM20A102K	1
R65	Resistor, fixed: comp. 220K ±10%, 1/2 watt.	EB2241	1
T7	Transformer: audio, 500 Kc.	AEW006	1
V22	Tube; 7 pin miniature	6AL5	1
XV22	Socket; 7 pin miniature	9735-6	1
	Shield, tube: 1-3/8"	9700-9	1
	Bracket	WAS AMS348	MS-417 1
	Terminal Bd. #1	WAS AMS349	PX-204 1
	Terminal Bd. #2	WAS AMS350	PX-205 1
	Oscillator Can	was AMS252	A-399 1
	Tube Bracket	WAS AMS347	MS-416 1
	Solder Terminal lugs	CTC	X1784D 15
	Round head Screw: 4-40 x 1/4" lg.		6
	Round head Screw: 4-40 x 3/8" lg.		2
	Hexagon Nut: 4-40 x 1/4"		4
	Hexagon Nut: 6-32 x 1/4"		2
	Solder Ground lug: #4		1
	Lock Washer: internal #4		4
	Lock Washer: internal #6		2
	Eylets 1/8 D Simpson.		2
	Spade bolt: 6-32 x 3/4	United	#2008 2

OSC. MODIFICATION ASSEMBLY
 SERIAL NO. 101-162
 MODEL GFA
THE TECHNICAL MATERIEL CORPORATION
 MAMARONECK, NEW YORK
 DATE 4-14-52 CHKD. *[Signature]*
 DRAWN *[Signature]* APPD. *[Signature]*
 SHEET OF NO. *A-648*

1/25/52 WAS 811341