

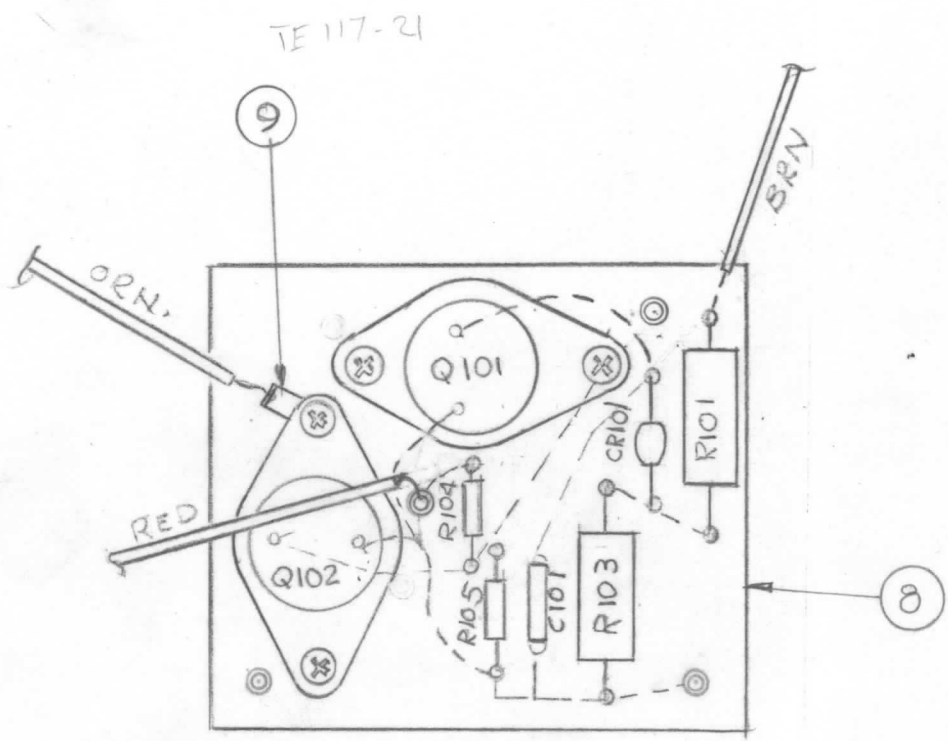
REVISIONS							
E.M.N. NO.	DRAFT	CHKD	ZONE	LTR	DESCRIPTION	DATE	APPROVED
	GDL			Ø	ORIGINAL RELEASE FOR PRODU	3-19-91	

D

C

B

A



REQ'D	ITEM	PART NUMBER	DESCRIPTION	SYM.
X	10	BS-100	SOLDER, TIN ALLOY	
1	9	TE 117-21	TERMINAL STUD	
1	8	PC 874	P.C. BOARD	
2	7	2N 3055	TRANSISTOR	Q1, Q2
1	6	1N645	DIODE	CR101
1	5	RC20GF102J	RES. FXD COMP.	R105
1	4	RC20GF104J	RES. FXD COMP	R104
1	3	RC226F470J	RES. FXD COMP	R101
1	2	RC42GF1000J	RES. FXD COMP	R103
1	1	CC131-44	CAPACITOR CERAMC	C101

REF: CK2314  
PC 874

1	PAL-16	
QTY / UNIT	MODEL USED ON	ASS'Y NO.
APPLICATION		
	CODE	
NOTICE TO PERSONS RECEIVING THIS DRAWING THE TECHNICAL MATERIEL CORPORATION claims proprietary right in the material disclosed hereon. This drawing is issued in confidence for engineering information only and may not be reproduced or used to manufacture anything shown hereon without permission from THE TECHNICAL MATERIEL CORPORATION to the user. This drawing is loaned for mutual assistance and is subject to recall at any time.		

UNLESS OTHERWISE SPECIFIED DIMENSIONS ARE IN INCHES AND INCLUDE CHEMICALLY APPLIED OR PLATED FINISHES	FINAL APPROVAL <i>GDB</i>	DATE 3/9/91
MECH. DES.		DATE
ELECT. DES.		DATE
CHECKED		DATE
DRAWN <i>G.D.L.</i>		DATE 3-19-91
MATERIAL		
FINISH		

LIST OF MATERIAL			
THE TECHNICAL MATERIEL CORP. MAMARONECK, NEW YORK			
ASSY PC BOARD BY PASS. CONTROL (UHF)			
SIZE B	CODE IDENT. NO. 82679	DWG NO. A 5874	ISSUE Ø
SCALE	SHEET		OF