

5

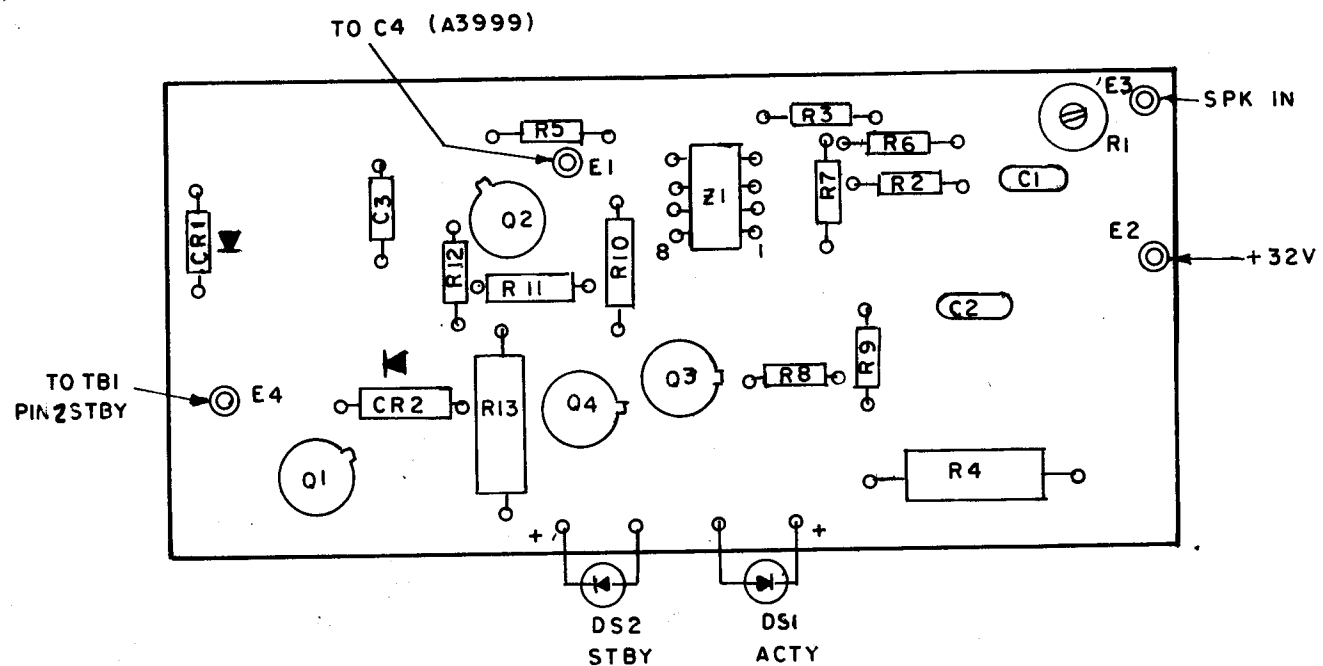
4

3

2

1

REVISIONS							
E.M.N. NO.	DRAFT	CHKD	ZONE	LTR	DESCRIPTION	DATE	APPROVED
	GDL			Ø	ORIGINAL RELEASE FOR PROD.	1-3-90	



BSP-75 (CK 2322)
 BSP-3 REF-CK 2301

REQ'D	ITEM	PART NUMBER	DESCRIPTION	SYM.
LIST OF MATERIAL				
THE TECHNICAL MATERIEL CORP. MAMARONECK, NEW YORK				
ASSY PC 873				
FINAL APPROVAL <i>JB</i>		DATE <i>7/17/90</i>		
MECH. DES.		DATE		
ELECT. DES.		DATE		
CHECKED		DATE		
DRAWN <i>GDL</i>		DATE <i>11-14-89</i>		
SIZE	CODE IDENT. NO.	DWG NO.	ISSUE	
B	82679	A5864	0	
SCALE		SHEET	OF	

QTY / UNIT	MODEL USED ON	ASS'Y NO.
1	BSP-75	A5864 ^{W/4} R14 ADD
1	BSP-3 DS	A5964
APPLICATION		
	CODE	
<p>NOTICE TO PERSONS RECEIVING THIS DRAWING THE TECHNICAL MATERIEL CORPORATION claims proprietary right in the material disclosed hereon. This drawing is issued in confidence for engineering information only and may not be reproduced or used to manufacture anything shown hereon without permission from THE TECHNICAL MATERIEL CORPORATION to the user. This drawing is loaned for mutual assistance and is subject to recall at any time.</p>		
MATERIAL		
FINISH		