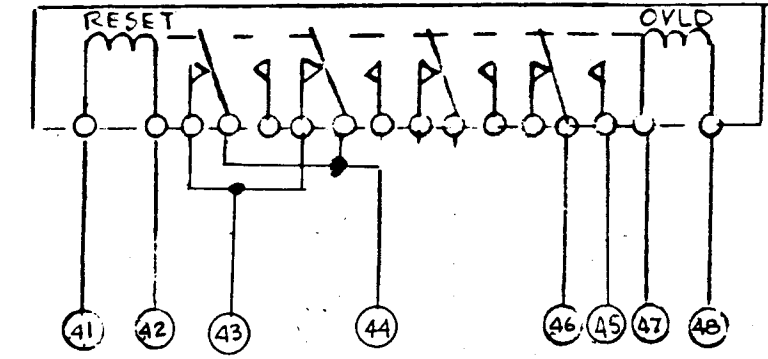
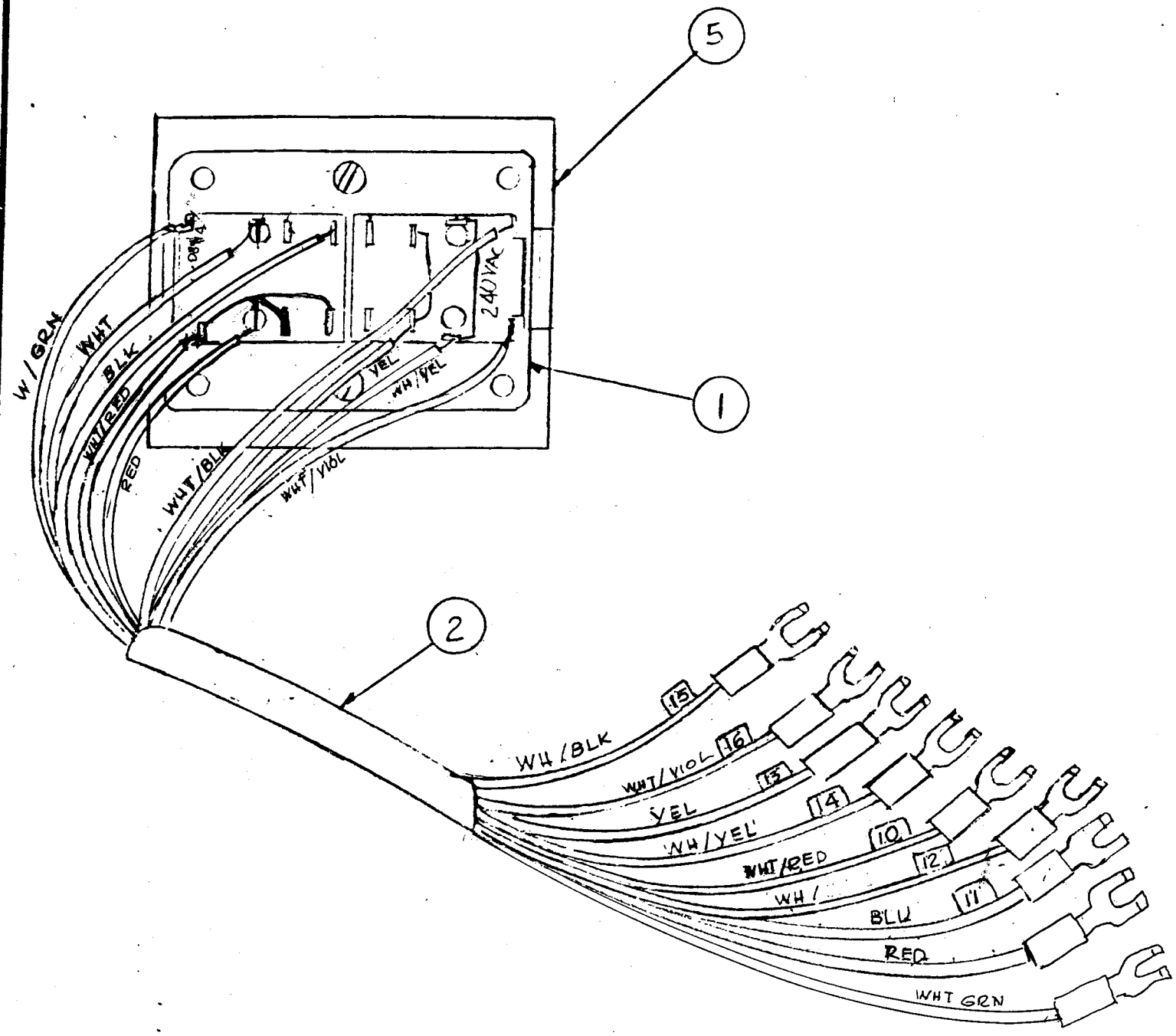


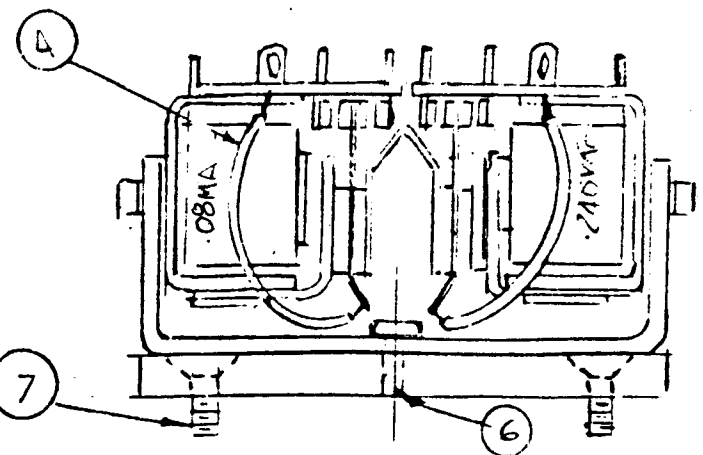
REVISIONS							
EMN NO	DRAFT	CHKD	ZONE	LTR	DESCRIPTION	DATE	APPROVED
					ORIGINAL RELEASE	3-23-55	



SCHEMATIC

REQ'D	ITEM	PART NUMBER	DESCRIPTION	SYM.
4	7	SCBP0440BN6	SCREW, MACH.	
2	6	SCBP0632ENS	SCREW, MACH.	
1	5	PX 1293	PLATE INSULATOR REL. MTG	
X	4	WL-100-7	WIRE, BUSS (SIZE 22)	
X	3	BS-100	SOLDER, SOFT	
1	2	CA-524	CABLE, ASSY - AR 10	
1	1	RL 203	RELAY, ARMATURE	

LIST OF MATERIAL



GPT-10K		AR-161
QTY / UNIT	MODEL USED ON	ASS'Y NO.
APPLICATION		
CODE		

NOTICE TO PERSONS RECEIVING THIS DRAWING  
 THE TECHNICAL MATERIEL CORPORATION claims proprietary right in the material disclosed hereon. This drawing is issued in confidence for engineering information only and may not be reproduced or used to manufacture anything shown hereon without permission from THE TECHNICAL MATERIEL CORPORATION to the user. This drawing is loaned for mutual assistance and is subject to recall at any time.

UNLESS OTHERWISE SPECIFIED DIMENSIONS ARE IN INCHES AND INCLUDE CHEMICALLY APPLIED OR PLATED FINISHES	FINAL APPROVAL	DATE
DECIMALS X ± .05 XX ± .03 XXX ± .005	MECH. DES.	DATE
FRACTIONS TOLS. 1/64 ANGLES 0°-30'	ELECT. DES.	DATE
MATERIAL	CHECKED	DATE
FINISH	DRAWN	DATE

THE TECHNICAL MATERIEL CORP. MAMARONECK, NEW YORK			
AR 119 ASSY. GRID OVD RELAY ASSY			
SIZE	CODE IDENT. NO.	DWG NO.	ISSUE
B	82679	A 5855	Ø
SCALE	SHEET		OF