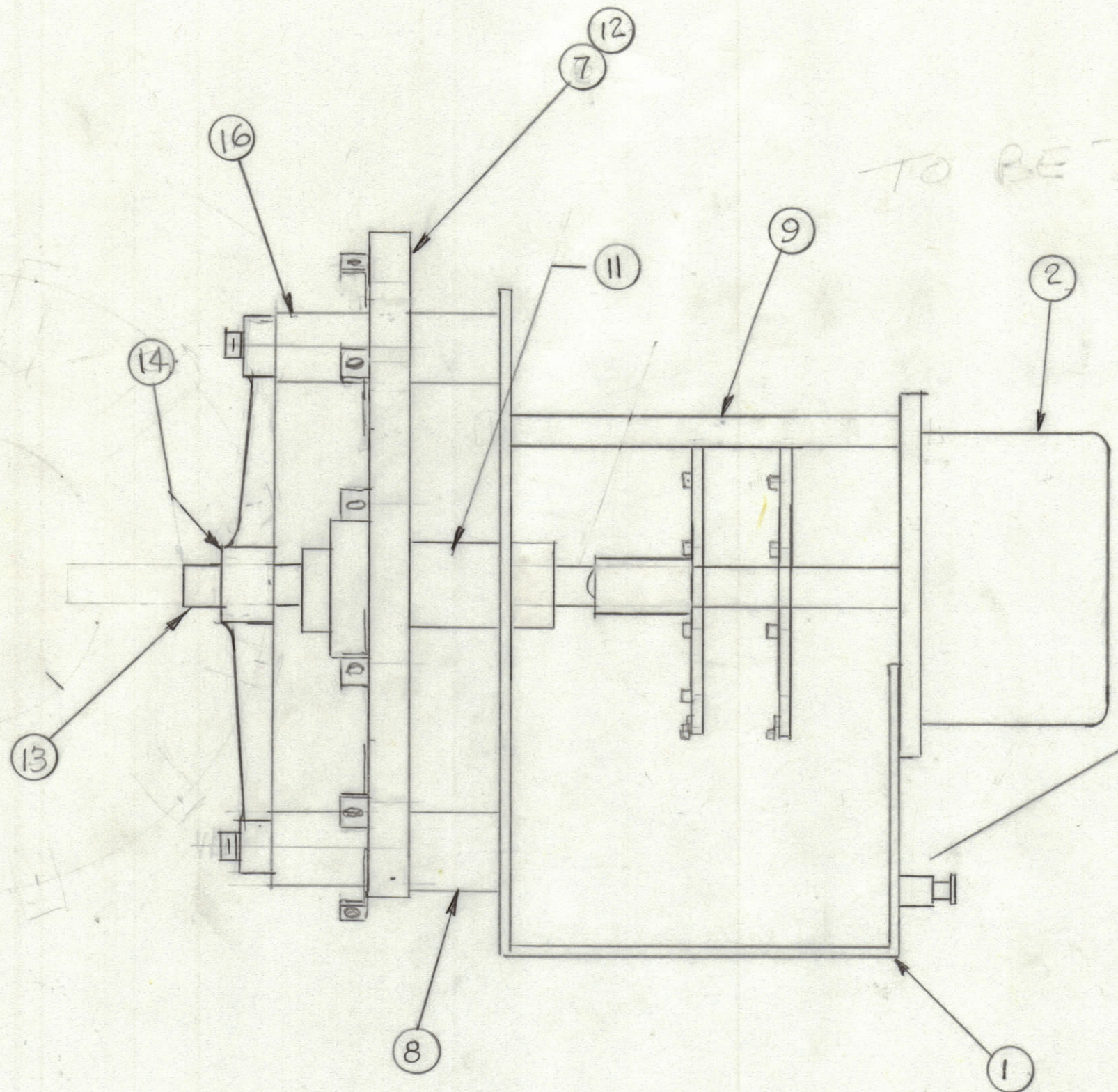
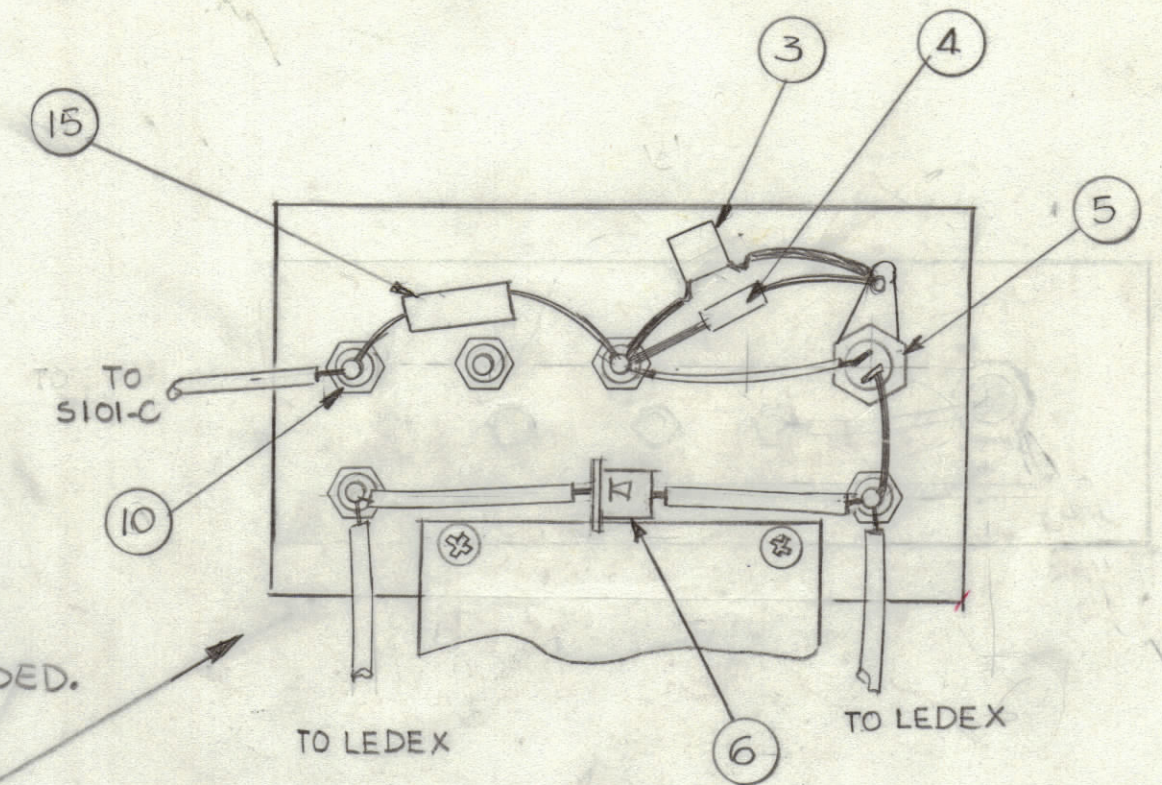


| REVISIONS | | | | | | |
|-----------|-----|------------------|---------|----------|-------|-----------|
| ZONE | LTR | DESCRIPTION | DATE | E.M.N.NO | DRAFT | CHKD APPD |
| | Q | ORIGINAL RELEASE | 2/16/83 | | | |



TO BE DRAWN

USE FIBER WASHERS THROUGH-OUT AS NEEDED.



NOTE:
THIS DRAWING FOR PRODUCTION USE ONLY.
USE AX806 MATERIAL LIST FOR PART NO IDENTIFICATION.

| QTY. REQ. | ITEM | PART NO. | DESCRIPTION | SYMBOL |
|-----------|------|--------------|----------------------------|---------|
| 2 | 16 | NS2W02-12 | INSULATOR, STANDOFF, ROUND | |
| 1 | 15 | RC32GF471J | RESISTOR, FIXED | R102 |
| 1 | 14 | P/O PO199 | ARM DETENT | |
| 1 | 13 | PM691RF4.00P | SHAFT, INSULATED | |
| 1 | 12 | RO100-1 | ROTARY | |
| 1 | 11 | MC130 | COUPLER | |
| 4 | 10 | TE102-2 | TERMINAL, TURRET | E1,2,3 |
| 2 | 9 | TE0632AN24H | SPACER, THREADED | |
| 2 | 8 | NS2W02-16 | INSULATOR, STANDOFF, ROUND | |
| 1 | 7 | WA106-1 | WAFER, ROTARY SWITCH | S101-A |
| 1 | 6 | 1N547 | DIODE | CR101 |
| 1 | 5 | 2N1776 | TRANSISTOR | Q101 |
| 1 | 4 | RC20GF102J | RESISTOR, FIXED | R101 |
| 1 | 3 | CC131-39 | CAP. CERAMIC (.1) | C102 |
| 1 | 2 | SW555 | SWITCH ROTARY SOLENOID | S101-BC |
| 1 | 1 | MS6739 | BRACKET MTG, SW | |

LIST OF MATERIAL

| | | |
|-------------|-----------------------|-----------|
| 1 | HFT(R)-1K/J2B SURNAME | AX806 |
| QTY / UNIT | MODEL USED ON | ASS'Y NO. |
| APPLICATION | | |
| CODE | | |

NOTICE TO PERSONS RECEIVING THIS DRAWING
THE TECHNICAL MATERIEL CORPORATION claims proprietary right in the material disclosed hereon. This drawing is issued in confidence for engineering information only and may not be reproduced or used to manufacture anything shown hereon without permission from THE TECHNICAL MATERIEL CORPORATION to the user. This drawing is loaned for mutual assistance and is subject to recall at any time.

| | | |
|---|----------------|---------------|
| UNLESS OTHERWISE SPECIFIED DIMENSIONS ARE IN INCHES AND INCLUDE CHEMICALLY APPLIED OR PLATED FINISHES | FINAL APPROVAL | DATE |
| TOLERANCES ON DECIMALS .X ± .05 .XX ± .01 .XXX ± .005 FRACTIONS ± 1/64 ANGLES ± 0°-30' | MECH. DES. | DATE |
| | ELECT. DES. | DATE |
| | CHECKED | DATE |
| | DRAWN GDL | DATE 11-23-82 |

| | | | |
|--|----------------|---------|----------|
| THE TECHNICAL MATERIEL CORP. MAMARONECK, NEW YORK | | | |
| ASSEMBLY, LEDEX AX806 | | | |
| SIZE | CODE IDENT.NO. | DWG NO. | ISSUE |
| C | 82679 | A5804 | Q |
| SCALE | | | SHEET OF |