

5

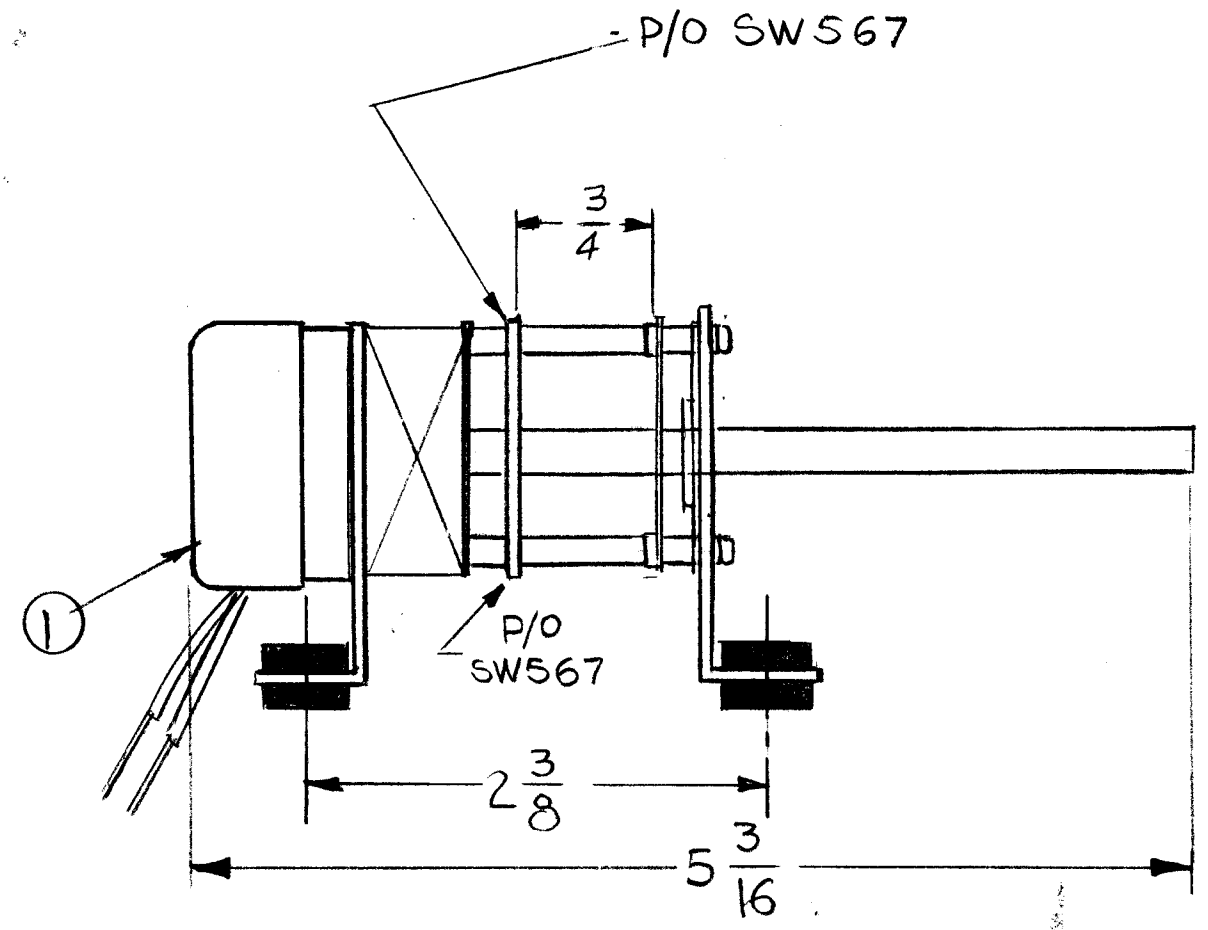
4

3

2

1

REVISIONS							
E.M.N. NO.	DRAFT	CHKD	ZONE	LTR	DESCRIPTION	DATE	APPROVED
A	GDL	WJD		Ø	ORIGINAL RELEASE FOR PRODUCTION	6-5-78	*



(S102B, S103B, S104B)

REQ'D	ITEM	PART NUMBER	DESCRIPTION	SYM.
1	1	SW567	SWITCH ROTARY	

LIST OF MATERIAL

3	MMXR-2B	
QTY / UNIT	MODEL USED ON	ASS'Y NO.
APPLICATION		
	CODE	

NOTICE TO PERSONS RECEIVING THIS DRAWING
 THE TECHNICAL MATERIEL CORPORATION claims proprietary right in the material disclosed hereon. This drawing is issued in confidence for engineering information only and may not be reproduced or used to manufacture anything shown hereon without permission from THE TECHNICAL MATERIEL CORPORATION to the user. This drawing is loaned for mutual assistance and is subject to recall at any time.

UNLESS OTHERWISE SPECIFIED DIMENSIONS ARE IN INCHES AND INCLUDE CHEMICALLY APPLIED OR PLATED FINISHES		FINAL APPROVAL * [Signature]	DATE 8/2/78
DECIMALS .X ± .05 .XX ± .01 .XXX ± .005	FRACTIONS 1/64 ANGLES 0° -30'	ELECT. DES.	DATE
MATERIAL	FINISH	CHECKED	DATE
		DRAWN G.D.L.	DATE

THE TECHNICAL MATERIEL CORP. MAMARONECK, NEW YORK			
ASSY, SWITCH ROTARY 10KHz, 1KHz, 100Hz			
SIZE B	CODE IDENT. NO. 82679	DWG NO. A 5751	ISSUE Ø
SCALE 1:1		SHEET OF	

5

4

3

2

1