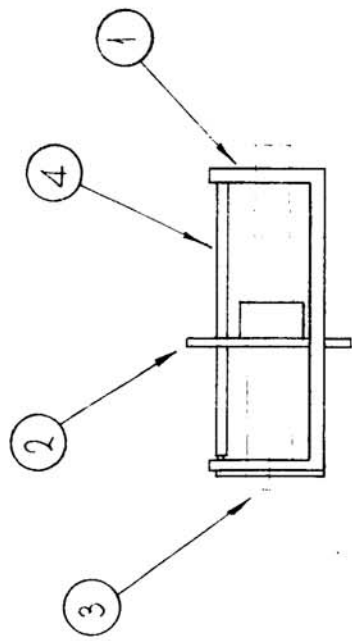


REQ. PER UNIT	USED ON	
1	MODEL	DATE
	TST-10K	9-15-65
	ASSY. NO.	

A5164

Ø



1	4	PM1221	SHAFT, PRECISION		
1	3	PM1220	STUD, THREADED		
1	2	PM1219	WHEEL, DIRECTIONAL		
1	1	PM1218	HOUSING, SWITCH		
REQ. ITEM		PART NO.	F. BUDETTI	DESCRIPTION	SYMBOL
			THE TECHNICAL MATERIEL CORP. MAMARONECK, NEW YORK		
		STOCK SIZE	SWITCH ASSY		
		MATERIAL			
		TYPE & TEMPER	DRAWN	CHECKED	FINAL APPROVAL
		HEAT TREAT. SPEC.			A5164
		FINISH & SPEC. NO.	ELEC. DES. APP. MECH. DES. APP.		Ø

SYM	DESCRIPTION	DATE	CH. NO.	DRAFTS	CHECKER	ENG. APP.
Ø	SWITCH ASSY	12/17/68	1:1	CU	CU	[Signature]
UNLESS OTHERWISE SPECIFIED DIMENSIONS ARE IN INCHES AND INCLUDE CHEMICALLY APPLIED OR PLATED FINISHES						
TOLERANCES						
DECIMALS .X ± .05 .XX ± .01 .XXX ± .005						
FRACTIONS ± 1/64 ANGLES ± 0° 30'						
CODE A						