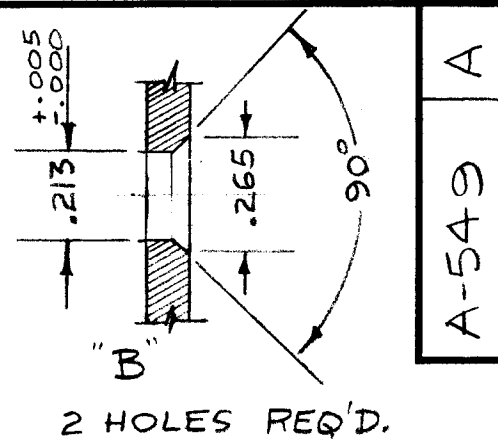
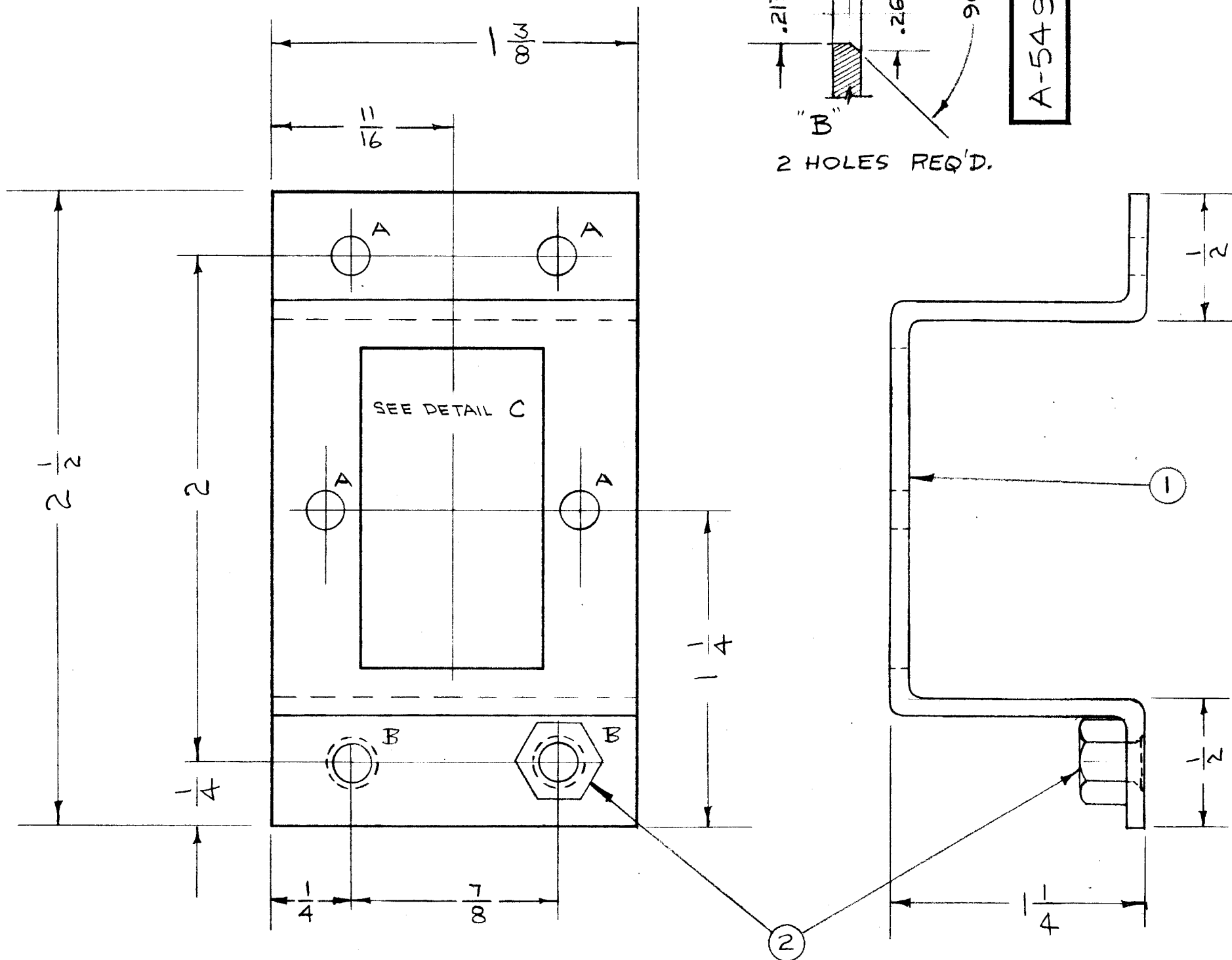


IF IT IS FOUND DESIRABLE TO CHANGE ANY TOLERANCE OR OTHER DETAIL SPECIFIED ON THIS DRAWING NOTIFY THE PURCHASER PROMPTLY.

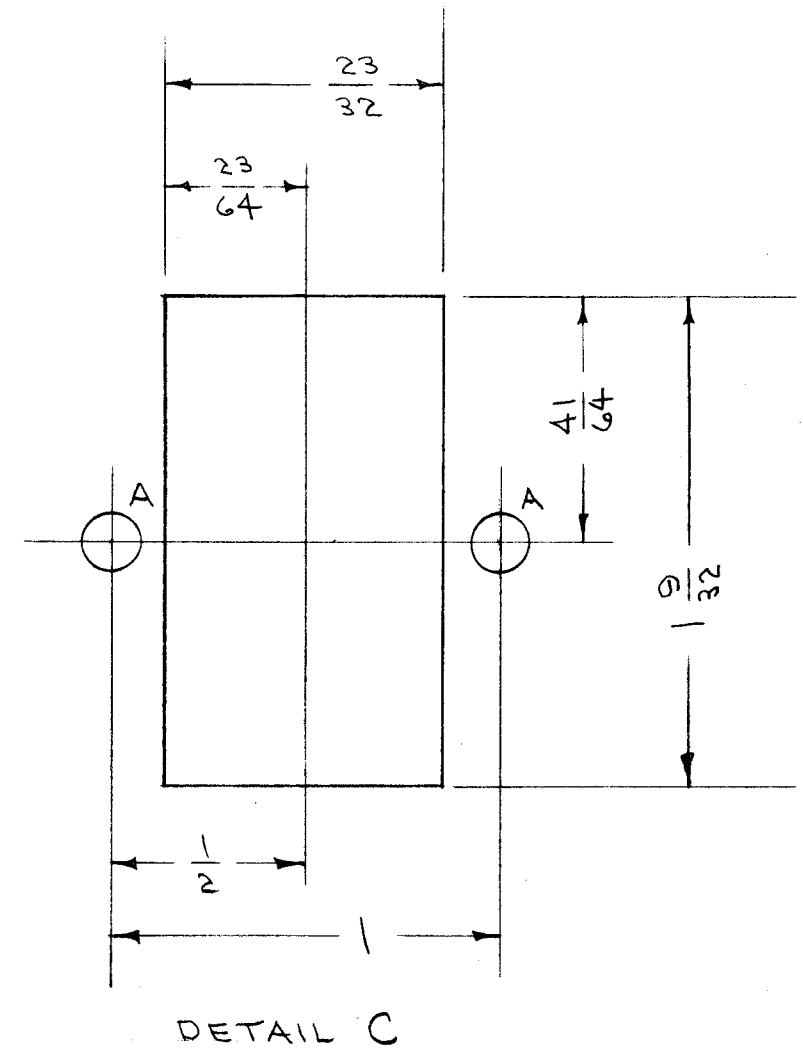
MAXIMUM ALLOWABLE TOLERANCES HAVE BEEN DETERMINED AND DEVIATIONS WILL BE CAUSE FOR REJECTION. REMOVE ALL BURRS AND SHARP EDGES



"B"
2 HOLES REQ'D.



A-5/32(.156) D. 4 HOLES REQ.



2	2	SM-107-23	INSERT, HEX.	
1	1	MS-391	BRACKET, PLUG (NO DW'G.)	
REQ.	ITEM	PART NO.	DESCRIPTION	SYMBOL
		.064	THE TECHNICAL MATERIEL CORP.	
		STOCK SIZE	MAMARONECK. NEW YORK	
		ALUMINUM	BRACKET ASS'Y.	
		MATERIAL	RSC-1	
		52S-H32	C.D.D. 9/10/53	G.T.O. <i>wpe</i>
		TYPE & TEMPER	DRAWN	ELEC. DES. APP. MECH. DES. APP.
		#	<i>HAD</i>	G.T.O. <i>wpe</i>
		HEAT TREAT. SPEC.	CHECKED	FINAL APPROVAL
		S-404 YELLOW IRIDITE		
		FINISH & SPEC. NO.		

A	1	S-404 WAS S-101	12/10/53	1001	AB	EMN	
ISSUE	ITEM	CHANGED FROM	DATE	CN. NO.	DRAFTS	CHECKER	ENG. APP.
TOLERANCES		SCALE:					
ALL OTHERS	DEC. DIM. ±	DRILL, PUNCH, COMMERCIAL STOCK SIZES AND MANUFACTURERS TOLERANCES ARE NOT INCLUDED.					
	FRAC. DIM. ±	RSC-1 (A,B,C,D,E)					
	ANGULAR DIM. ±	170					

MODEL	PROJECT NO.	ASS'Y. NO.	DATE
			9-10-53
USED ON			