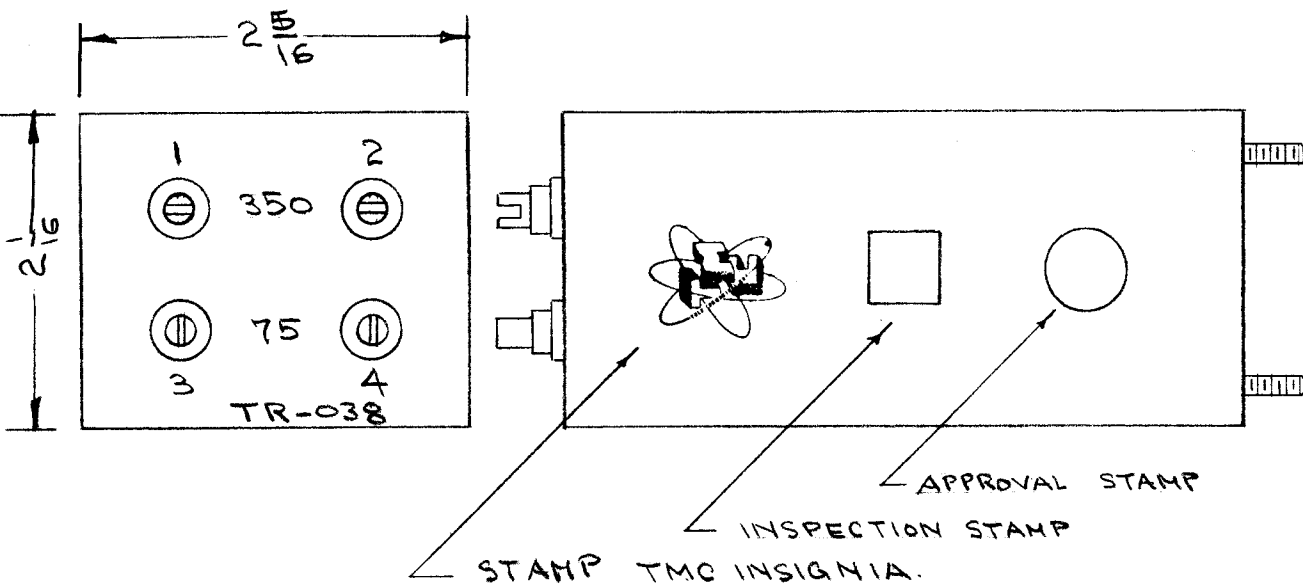


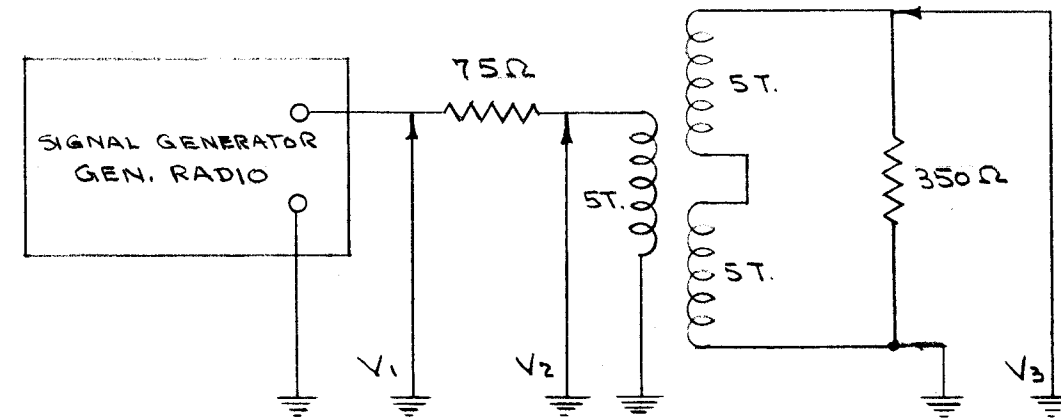
IF IT IS FOUND DESIRABLE TO CHANGE ANY TOLERANCE OR OTHER DETAIL SPECIFIED ON THIS DRAWING NOTIFY THE PURCHASER PROMPTLY.

MAXIMUM ALLOWABLE TOLERANCES HAVE BEEN DETERMINED AND DEVIATIONS WILL BE CAUSE FOR REJECTION. REMOVE ALL BURRS AND SHARP EDGES

METAL STAMP BEFORE PAINTING.
1/8 HIGH BLACK GOTHIC AFTER PAINTING.



C
A-509

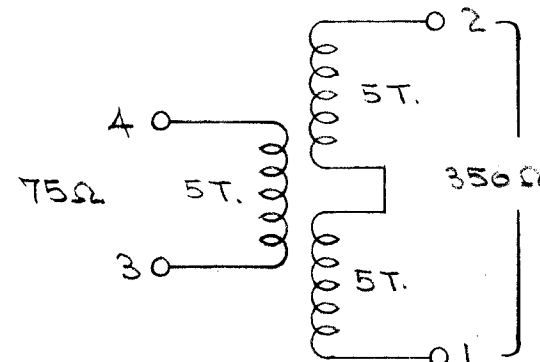


f.m.c.	R.F. VOLTS *		
	V ₁	V ₂	V ₃
1.5	1.0	.54	1.2
2.1	1.0	.54	1.2
3.0	1.0	.54	1.2

* H.P. VTVM

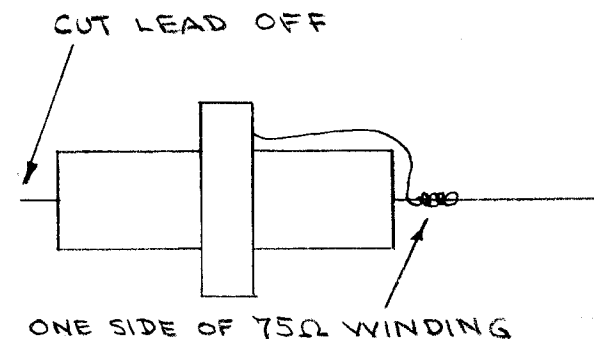
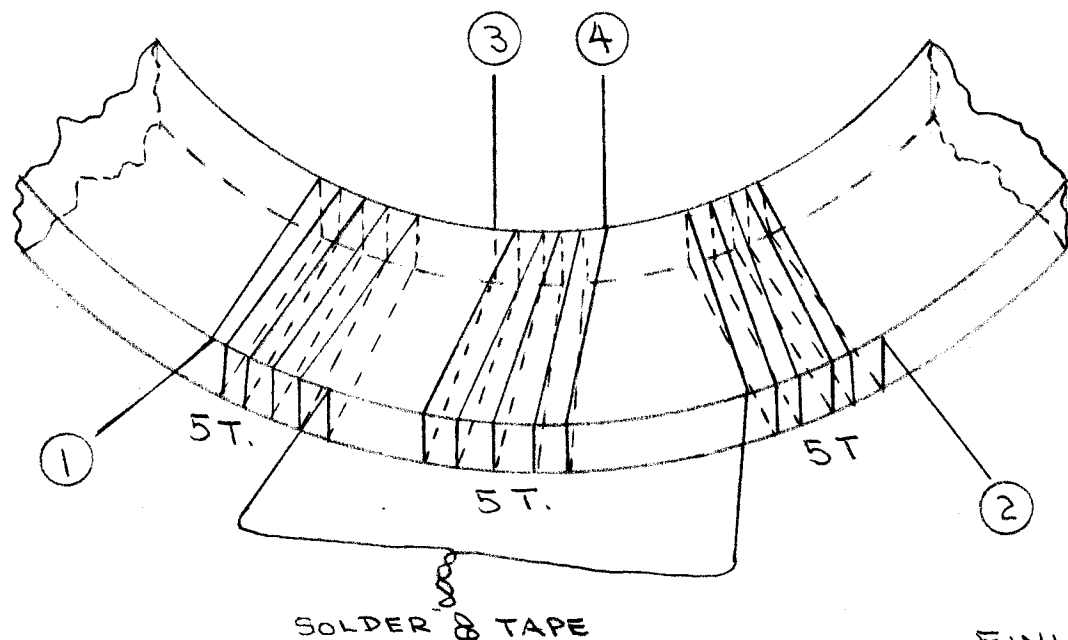
f.m.c.	IMPEDANCE *	
	R	X _L
1.5	67	29
2.1	71	23
3.0	72	22

GEN. RADIO SIGAL



**NOT TO BE RELEASED
W/O AUTHORIZATION**

AUTH. BY.....
DATE:.....



CONDENSER USED AS SUPPORT ONLY
FINISH:
S-114 - ZINC CHROMATE PRIMER
S-115 - SMOOTH GREY ENAMEL.

REQ.	ITEM	PART NO.	DESCRIPTION	SYMBOL
1	7	NP-117	TMC INSIGNIA	
X	6	TA-100-2	TAPE	
X	5	BS-100	SOLDER, SOFT	
1	4	CN-100-3	CAPACITOR, FIXED	
X	3	WI-102-11	WIRE	
1	2	CI-104	CORE	
1	1	BX-106	CASE	

REQ.	ITEM	PART NO.	DESCRIPTION	SYMBOL
THE TECHNICAL MATERIEL CORP. MAMARONECK, NEW YORK				
TRANSFORMER				
TR-038				
C.D.D. 3-15-54			APB	WJC
DRAWN			ELEC. DES. APP.	MECH. DES. APP.
CHECKED			APB	
HEAT TREAT. SPEC.			FINAL APPROVAL	
SEE NOTE.			A-509 C	
FINISH & SPEC. NO.				

ISSUE	ITEM	CHANGED FROM	DATE	CN. NO.	DRAFTS	CHECKER	ENG. APP.
C	3	PAINT SPEC. ADDED	5/12/55	3	JAR	WJC	WJC
B	2	ITEM 7 REMOVED (NP-136)	1/29/54	2	C.D.D.	M.H.S.	WJC
A	1	REDRAWN - ITEM 7 ADDED	3/15/54	1	C.D.D.	JAR	APB

TOLERANCES		SCALE: 1/8"	
ALL OTHERS	DEC. DIM. ± FRAC. DIM. ± ANGULAR DIM. ±	DRILL, PUNCH, COMMERCIAL STOCK SIZES AND MANUFACTURERS TOLERANCES ARE NOT INCLUDED.	
REQ. PER UNIT	MODEL	PROJECT NO.	ASS'Y. NO.
USED ON			