

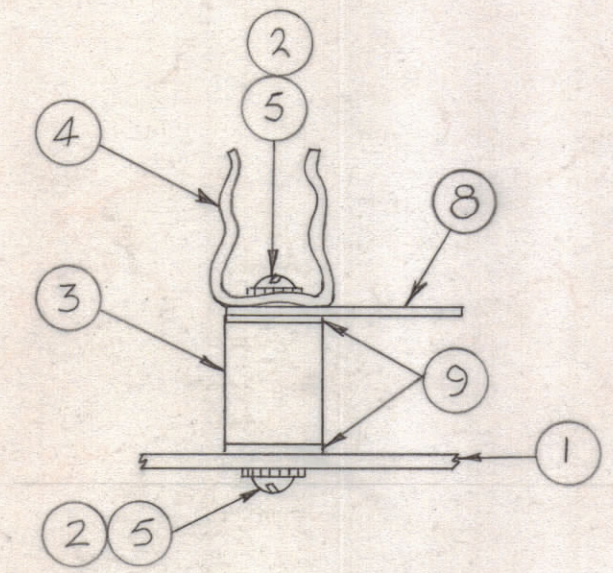
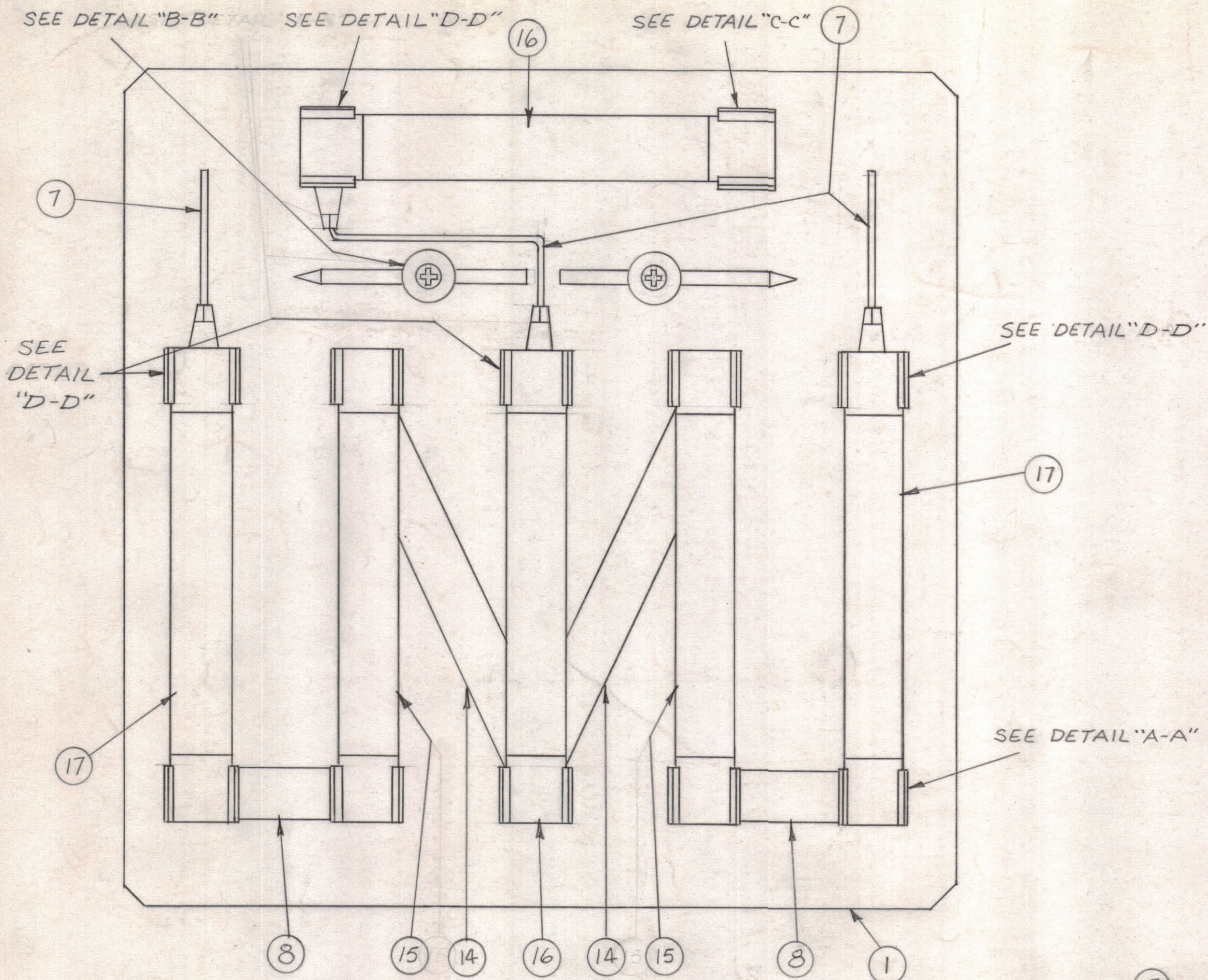
4

3

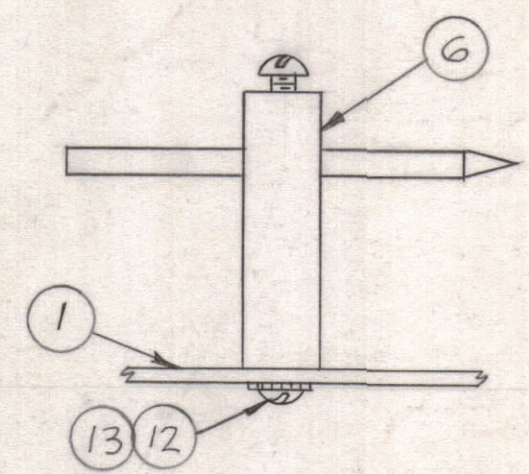
2

1

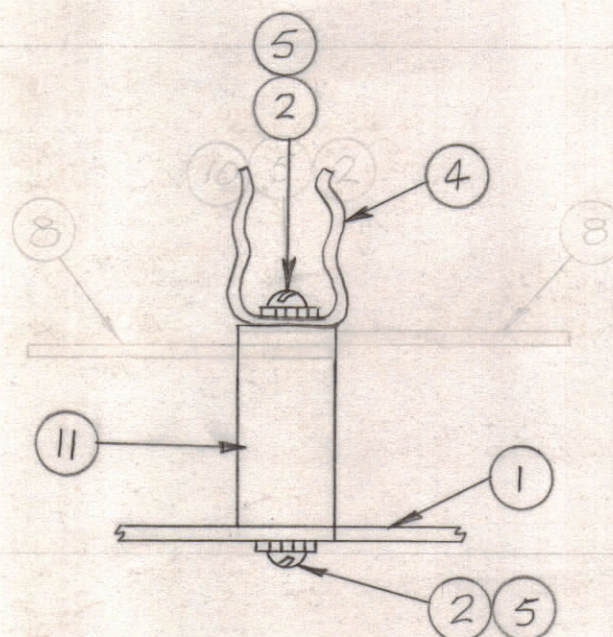
REVISIONS						
ZONE	LTR	DESCRIPTION	DATE	E.M.N.NO	DRAFT	CHKD APPD
	X	EXP. RELEASE	10/25/68		W.S.	
	Ø	ORIG. RELEASE FOR PRODUCTION	11/1/68		R.G.	



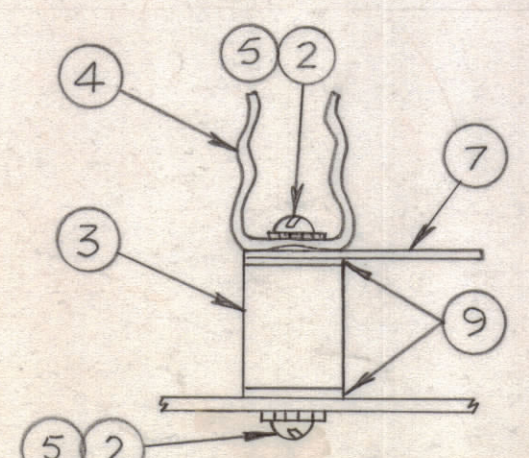
DETAIL "A-A"  
7 REQ.



DETAIL "B-B"  
2 REQ.



DETAIL "C-C"  
1 REQ.



DETAIL "D-D"  
4 REQ.

QTY. REQ.	ITEM	PART NO.	DESCRIPTION	SYMBOL
2	17	RR115-175	RESISTOR	
2	16	RR115-140	RESISTOR	
2	15	RR115-150	RESISTOR	
2	14	MS144-3	LINK	
2	13	LWE06MRN	LOCKWASHER, EXT	
2	12	SCBP0632BN6	SCREW, MACHINE	
1	11	TE0832AE51R	SPACER, THREADED 1/2 DIA X 13/16 LENGTH	
	10	DELETED		
2	9	WA109-46	WASHER, FIBRE	
2	8	MS144-1	LINK	
3	7	A1563-2	LEAD, ASSEMBLY	
2	6	A170	LIGHTNING, ARRESTOR ASSEMBLY	
2	5	SCBP0832BN6	SCREW, MACHINE	
12	4	FC101	CLIP, FUSE	
12	3	NS3W0206	INSULATOR, STANDOFF	
2	2	LWE08MRN	LOCKWASHER, EXTERNAL	
1	1	LD2336/MS1289	MOUNTING, PLATE	

QTY. REQ.	ITEM	PART NO.	DESCRIPTION	SYMBOL
-----------	------	----------	-------------	--------

M. ZETENA LIST OF MATERIAL				
FINAL APPROVAL		DATE		
MECH. DES.		DATE		
ELECT. DES.		DATE		
CHECKED		DATE		
DRAWN		DATE		
<b>THE TECHNICAL MATERIEL CORP.</b> MAMARONECK, NEW YORK				
<b>RESISTOR &amp; MOUNTING PLATE SUB-ASS'Y</b>				
SIZE	CODE IDENT.NO.	DWG NO.	ISSUE	
C	82679	A 4771	Ø	
SCALE			SHEET	OF

QTY / UNIT	MODEL USED ON	ASS'Y NO.
1	RTB-11	
APPLICATION		
CODE		

NOTICE TO PERSONS RECEIVING THIS DRAWING  
 THE TECHNICAL MATERIEL CORPORATION claims proprietary right in the material disclosed hereon. This drawing is issued in confidence for engineering information only and may not be reproduced or used to manufacture anything shown hereon without permission from THE TECHNICAL MATERIEL CORPORATION to the user. This drawing is loaned for mutual assistance and is subject to recall at any time.

UNLESS OTHERWISE SPECIFIED DIMENSIONS ARE IN INCHES AND INCLUDE CHEMICALLY APPLIED OR PLATED FINISHES

TOLERANCES ON  
 DECIMALS .X ± .05  
 .XX ± .01  
 .XXX ± .005  
 FRACTIONS ± 1/64  
 ANGLES ± 0°-30'  
 MATERIAL  
 FINISH

4

3

2

1

A 4771

B

A