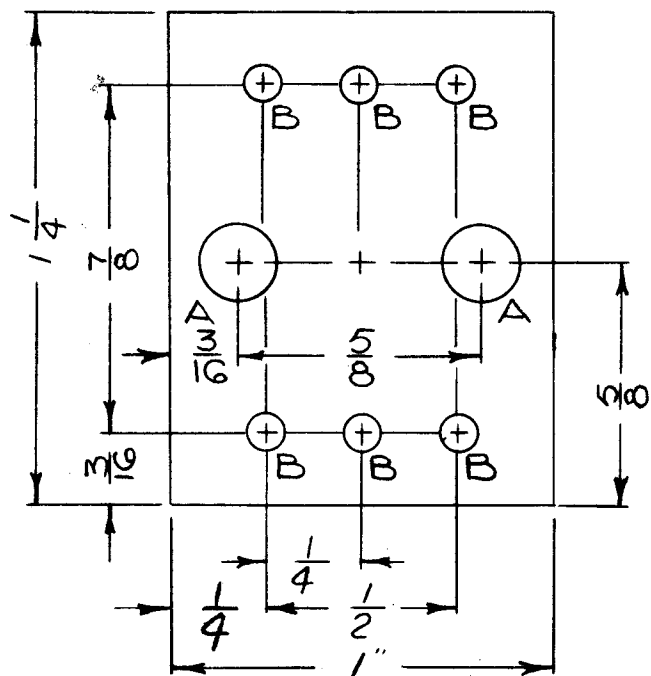
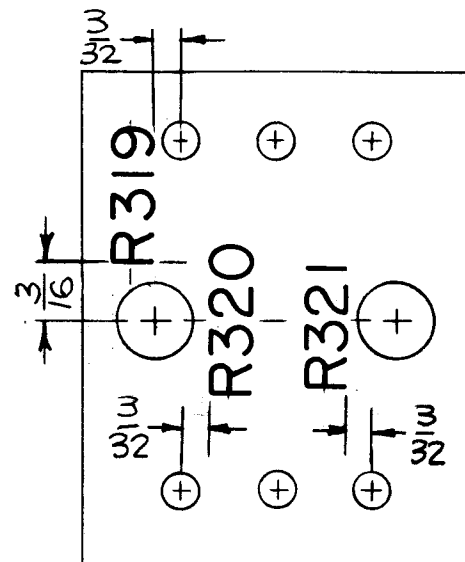


HOLES	DESCR	REQ.
A	.189 DIA	2
B	.082 DIA	6



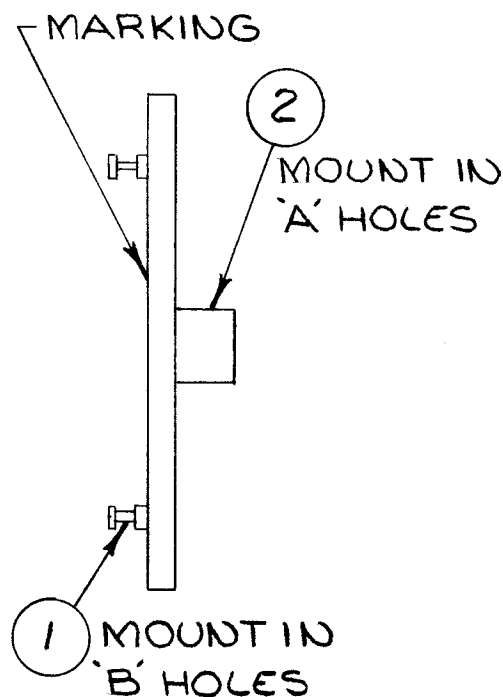
MAT'L: G-10 EPOXY 1/16 THICK  
A 4706-1 MACHINING

MARK TMC P/N (A4706)  
1/8 HIGH GOTHIC  
W/LATEST REV. LETTER  
(ON REAR)  
FUNGUS PROOFING PER  
TMC SPECIFICATION S-113



MARKING PROCESS: AS PER  
TMC SPECIFICATION S-727  
LETTERING: 1/8 HIGH BLACK  
GOTHIC, LOCATED AS SHOWN

A4706-2 MARKING

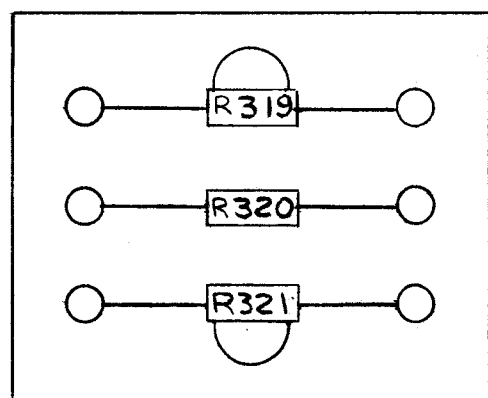


A4706-3 SUB. ASS'Y

REVISIONS						
ZONE	LTR	DESCRIPTION	DATE	E.M.N.NO	DRAFT	CHKD APPD
	X	EXP. RELEASE	1-12-68			
	Ø	ORIG. RELEASE FOR PROD	4-15-68		R.G.	

NOTES:

- FOR ELECTRICAL COMPONENT PART NUMBERS REFER TO NPL A 4706-
- USE SYMBOL NUMBERS FOR ASS'Y REFERENCE.



A4706-4 FINAL ASS'Y

REQ'D	ITEM	PART NUMBER	DESCRIPTION	SYM.
X	3	BS100	SOLDER, TIN ALLOY	-
2	2	TE-164-6	STAND-OFF, RIVER TYPE	A
6	1	TE-127-2	TERMINAL, MIDGET, SINGLE LUG	B

F. BUDETTI

LIST OF MATERIAL

UNLESS OTHERWISE SPECIFIED  
DIMENSIONS ARE IN INCHES  
AND INCLUDE CHEMICALLY APPLIED  
OR PLATED FINISHES

FINAL APPROVAL	DATE
<i>[Signature]</i>	4/15/68
MECH. DES.	DATE
<i>[Signature]</i>	4/15/68
ELECT. DES.	DATE
<i>[Signature]</i>	4/15/68
CHECKED	DATE
<i>[Signature]</i>	4-5-68
DRAWN	DATE
<i>[Signature]</i>	1-12-68

THE TECHNICAL MATERIEL CORP.  
MAMARONECK, NEW YORK

TERMINAL BOARD ASS'Y

1	BCT-10KA	
QTY / UNIT	MODEL USED ON	ASS'Y NO.
APPLICATION		
	CODE	5401-451
	A	

DECIMALS .X ± .05  
.XX ± .01  
.XXX ± .005

FRACTIONS 1/64  
ANGLES 0°-30'

MATERIAL  
SEE STEP 1

FINISH  
SEE STEP 2

NOTICE TO PERSONS RECEIVING THIS DRAWING  
THE TECHNICAL MATERIEL CORPORATION claims proprietary right in the material disclosed hereon. This drawing is issued in confidence for engineering information only and may not be reproduced or used to manufacture anything shown hereon without permission from THE TECHNICAL MATERIEL CORPORATION to the user. This drawing is loaned for mutual assistance and is subject to recall at any time.

SIZE	CODE IDENT. NO.	DWG NO.	ISSUE
B	82679	A 4706	Ø
SCALE 2:1		SHEET	OF