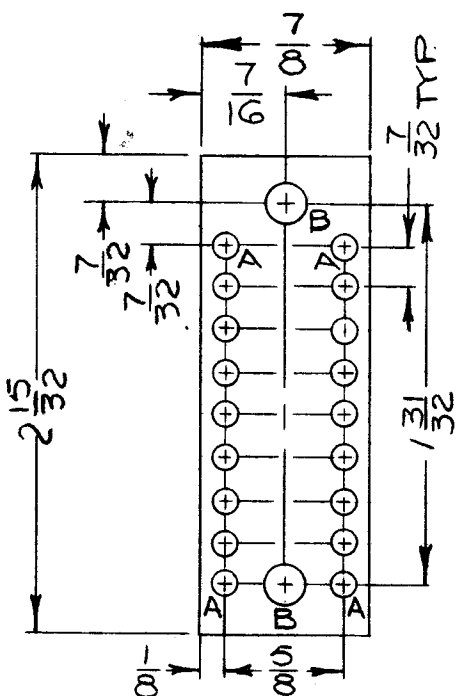


HOLE	DESCRIPTION	REQ'D
A	NO. 46 (.0810) DIA	18
B	.189 DIA	2

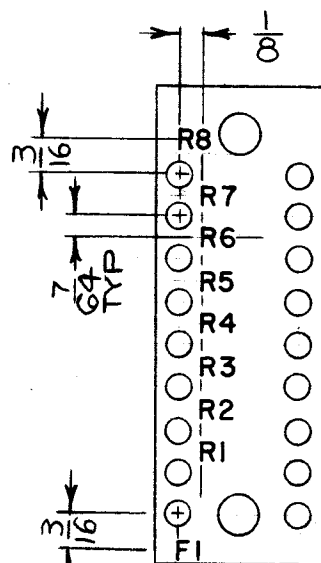
MARK TMC P/N (A 4702)  
 1/8" GOTHIC, WITH LATEST  
 REV. LETTER (ON REAR)

FUNGUS PROOF PER  
 TMC SPECIFICATION S-113



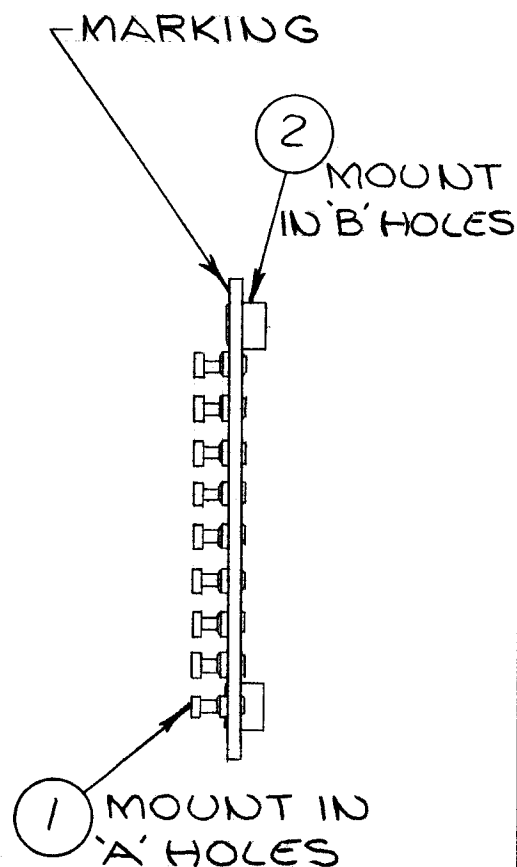
MAT'L: G-10 EPOXY 1/16" THK.

A 4702-1 MACHINING



MARKING PROCESS: AS PER  
 TMC SPECIFICATION S-727  
 LETTERING: 3/32 HIGH BLACK  
 GOTHIC, LOCATED AS SHOWN

A 4702-2 MARKING



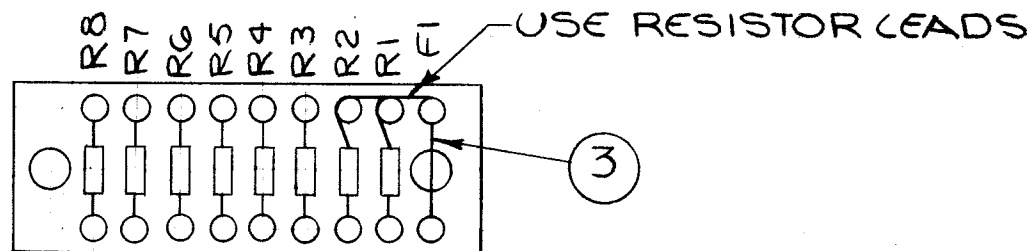
A 4702-3 SUB ASSY

REVISIONS						
ZONE	LTR	DESCRIPTION	DATE	E.M.N. NO	DRAFT	CHKD APPD
	X	EXP RELEASE	1-25-68			
	Ø	ORIG. RELEASE FOR PROD	5-22-68		R.G.	

**OBSOLETE  
 NO LONGER REQ**

NOTES:

- FOR ELECTRICAL COMPONENT PART NUMBERS REFER TO NPL A 4702
- USE SYMBOL NUMBERS FOR ASSY REFERENCE



A 4702-4 FINAL ASSY

REQ'D	ITEM	PART NUMBER	DESCRIPTION	SYM.
X	4	BS100	SOLDER, TIN ALLOY	-
X	3	WL100-G	WIRE, BUSS BAR, TINNED	-
2	2	TE1G4-G	STAND-OFF, RIVET	B
18	1	TE127-2	TERMINAL, MIDGET, SINGLE LUG	A

HOGAN LIST OF MATERIAL SK3252-003-53 X1

QTY / UNIT	MODEL USED ON	ASSY NO.
1	HERR-4	
APPLICATION		
CODE	S401-451	
NOTICE TO PERSONS RECEIVING THIS DRAWING		
THE TECHNICAL MATERIEL CORPORATION claims proprietary right in the material disclosed hereon. This drawing is issued in confidence for engineering information only and may not be reproduced or used to manufacture anything shown hereon without permission from THE TECHNICAL MATERIEL CORPORATION to the user. This drawing is loaned for mutual assistance and is subject to recall at any time.		

UNLESS OTHERWISE SPECIFIED DIMENSIONS ARE IN INCHES AND INCLUDE CHEMICALLY APPLIED OR PLATED FINISHES		FINAL APPROVAL	DATE
MECH. DES.	M. ZETONA		
ELECT. DES.			
CHECKED			
DRAWN			
DECIMALS		FRACTIONS	
.X ± .05		1/64	
.XX ± .01		TOLS. ANGLES	
.XXX ± .005		0° - 30'	
MATERIAL		AS NOTED	
FINISH		AS NOTED	

THE TECHNICAL MATERIEL CORP. MAMARONECK, NEW YORK			
RESISTOR BOARD ASSY (INPUT ATTENUATOR)			
SIZE	CODE IDENT. NO.	DWG NO.	ISSUE
B	82679	A 4702	Ø
SCALE 1:1		SHEET OF	