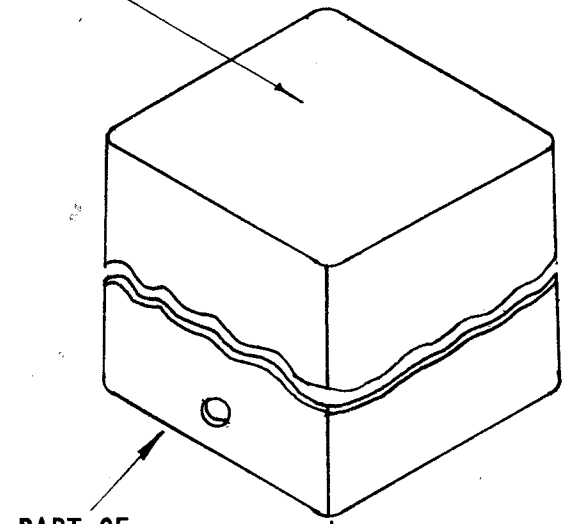
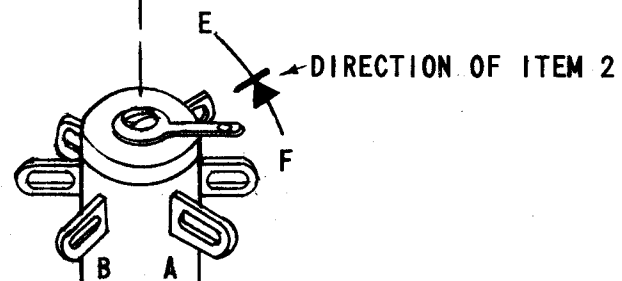


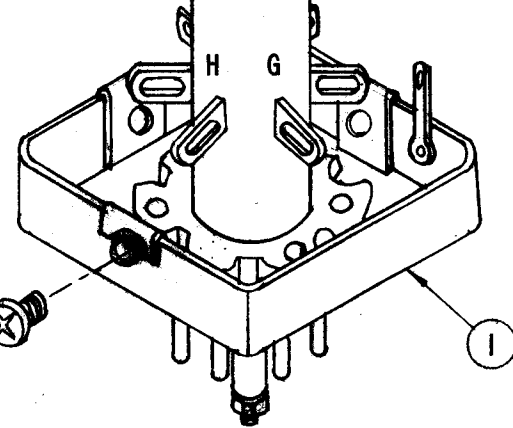
MARK TMC P/N 1/8 HIGH GOTHIC WITH LATEST REVISION LETTER.



PART OF ITEM 1



DIRECTION OF ITEM 2



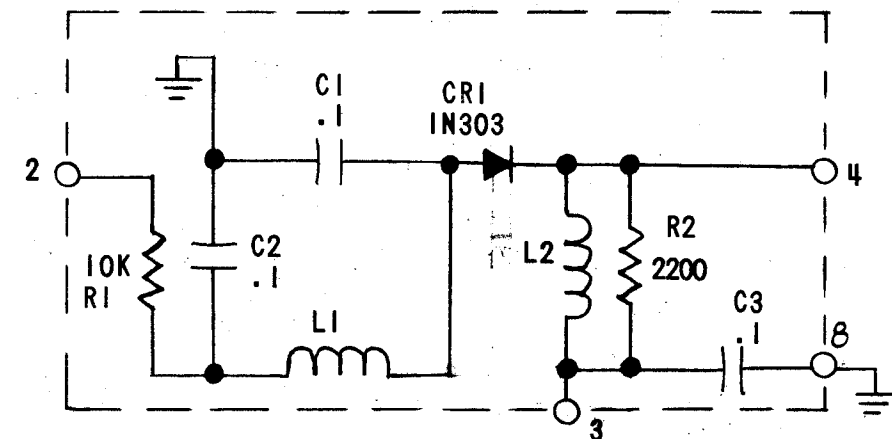
PART OF ITEM 1  
(3 REQ)

WIRING CHART

ITEM	FROM	TO	SYMBOL
2	F	E	CR1
3	A	F	C1
3,8	L	G	C2
3	L	K	C3
4	E	K	L2
5,8	F	G	L1
6	E	K	R2
7,8	B	G	R1
8,9	B	PIN 2	
8,9	E	PIN 4	
8,9	A	L	
9	K	PIN 3	
9	L	PIN 8	
9	A	TURRET LUG	

REVISIONS

ZONE	LTR	DESCRIPTION	DATE	E.M.N.NO	DRAFT	CHKD	APPD
	X	EXP. RELEASE	10-3-67		H.G.		
	X1	ITEM 3,8 WAS FROM "A TO G"	12-8-67				
	Ø	ORIG. RELEASE FOR PROD	4-24-68	Ø	R.G.		



NOTES:

- PLACE ITEM 8 AT BOTH ENDS OF ELECTRICAL COMPONENTS.
- ALL ITEMS MUST BE MOUNTED AS CLOSE AS POSSIBLE TO CENTER POST SO THAT COVER CAN BE ASSEMBLED.

REQ'D	ITEM	PART NUMBER	DESCRIPTION	SYM.
X	10	BS100	SOLDER, TIN ALLOY	
X	9	WL100-7	WIRE, ELEC BUSS	
X	8	PX104-3-20	INS SLVG	
1	7	RC20GF103J	RES, FXD, COMP	R1
1	6	RC20GF222J	RES, FXD, COMP	R2
1	5	CL177	COIL, RF, FXD	L1
1	4	CL100-5	COIL, RF, FXD	L2
3	3	CC100-28	CAP, FXD, CERAMIC	C1,2,3
1	2	IN303	DIODE	CR1
1	1	P0106-3T	CASE, PLUG-IN	

**F. BODETTI** LIST OF MATERIAL

**THE TECHNICAL MATERIEL CORP.**  
MAMARONECK, NEW YORK

**ALDC NETWORK ASSEMBLY**

SIZE	CODE IDENT. NO.	DWG NO.	ISSUE
B	82679	A 4648	Ø
SCALE	SHEET		OF

1	BCT-10KA	
QTY / UNIT	MODEL USED ON	ASS'Y NO.
APPLICATION		
	CODE	S401-451
	A	

NOTICE TO PERSONS RECEIVING THIS DRAWING  
THE TECHNICAL MATERIEL CORPORATION claims proprietary right in the material disclosed hereon. This drawing is issued in confidence for engineering information only and may not be reproduced or used to manufacture anything shown hereon without permission from THE TECHNICAL MATERIEL CORPORATION to the user. This drawing is loaned for mutual assistance and is subject to recall at any time.

UNLESS OTHERWISE SPECIFIED DIMENSIONS ARE IN INCHES AND INCLUDE CHEMICALLY APPLIED OR PLATED FINISHES

DECIMALS: .X ± .05, .XX ± .01, .XXX ± .005  
FRACTIONS: 1/64, ANGLES: 0°-30'

MATERIAL

FINISH

FINAL APPROVAL: *[Signature]* DATE: *[Date]*

MECH. DES. *[Signature]* DATE: *[Date]*

ELECT. DES. *[Signature]* DATE: *[Date]*

CHECKED: *[Signature]* DATE: *[Date]*

DRAWN: H.G. DATE: 10-5-67