

5

4

3

2

1

REVISIONS						
ZONE	LTR	DESCRIPTION	DATE	E.M.N.NO	DRAFT	CHKD APPD
	X	EXP. RELEASE	2.27.67		RME	
	Ø	ORIGINAL RELEASE FOR PRODUCTION	3.1.67		UHW	

D

D

C

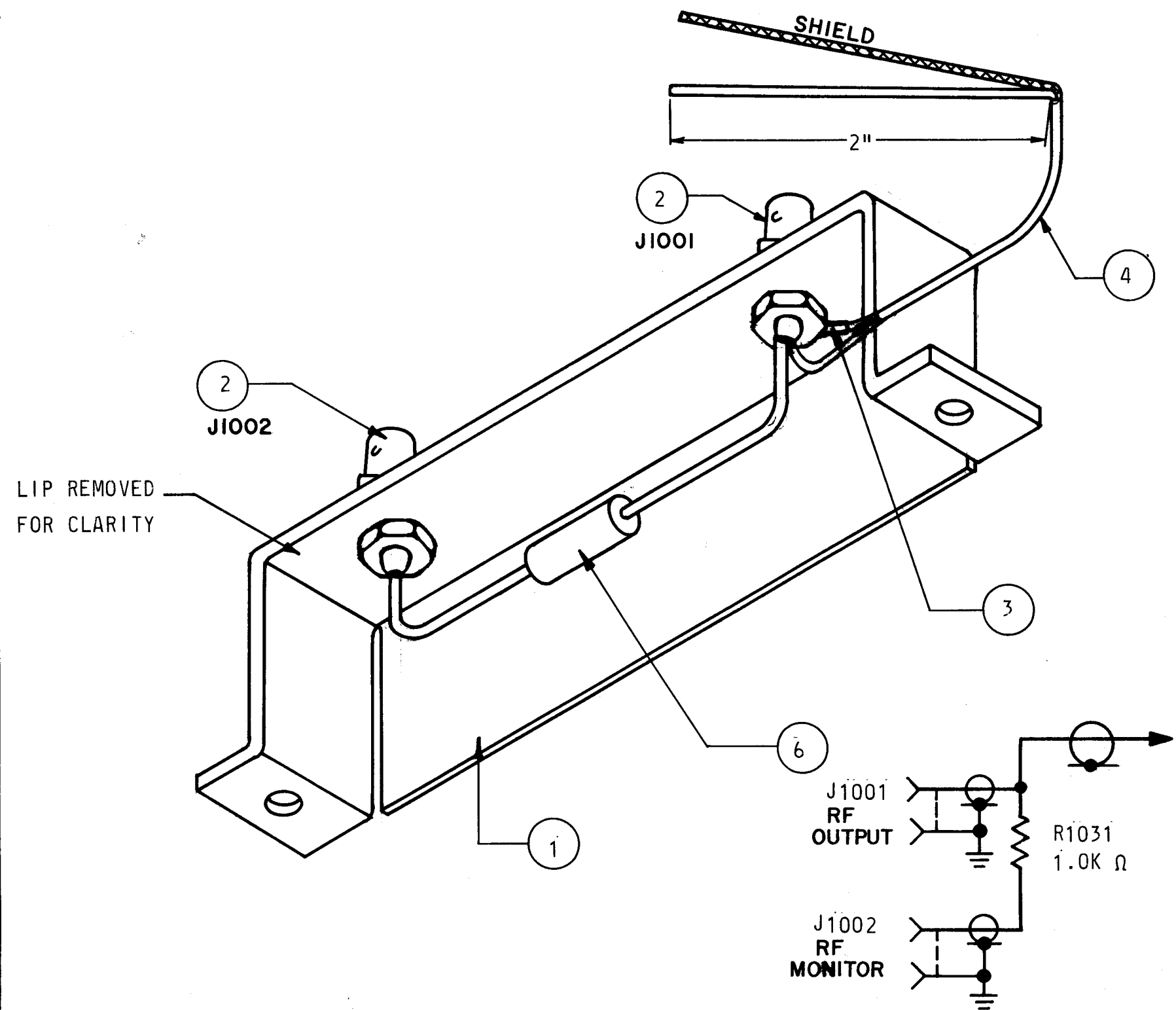
C

B

B

A

A



LIP REMOVED FOR CLARITY

REQ'D	ITEM	PART NUMBER	DESCRIPTION	SYM.
1	6	RC20GF102J	RESISTOR, FIXED COMPOSITION	R1031
X	5	BS 100	SOLDER, SOFT	
5	4	RG 188/U	WIRE, COAXIAL	
1	3	TE 111-2	LUG, SOLDER	
2	2	UG625/U	RECEPTACLE	J1001 J1002
1	1	LD1544/MS6056	BRACKET, MOUNTING ANTENNA INPUT	

LIST OF MATERIAL.

	CHGR-3	
	CHG-3,	
QTY / UNIT	MODEL USED ON	ASS'Y NO.
APPLICATION		
	CODE	

NOTICE TO PERSONS RECEIVING THIS DRAWING
 THE TECHNICAL MATERIEL CORPORATION claims proprietary right in the material disclosed hereon. This drawing is issued in confidence for engineering information only and may not be reproduced or used to manufacture anything shown hereon without permission from THE TECHNICAL MATERIEL CORPORATION to the user. This drawing is loaned for mutual assistance and is subject to recall at any time.

UNLESS OTHERWISE SPECIFIED DIMENSIONS ARE IN INCHES AND INCLUDE CHEMICALLY APPLIED OR PLATED FINISHES	APPROV. <i>[Signature]</i>	DATE
DECIMALS .X ± .05 .XX ± .01 .XXX ± .005	MECH. DES.	DATE
FRACTIONS 1/64	ELECT. DES.	DATE
TOLS. ANGLES 0° -30'	CHECKED <i>[Signature]</i>	DATE
MATERIAL	DRAWN <i>[Signature]</i>	DATE 1/19/67
FINISH		

THE TECHNICAL MATERIEL CORP. MAMARONECK, NEW YORK			
RF OUTPUT ASSEMBLY			
SIZE B	CODE IDENT. NO. 82679	DWG NO. A4558	ISSUE Ø
SCALE NONE	SHEET OF		