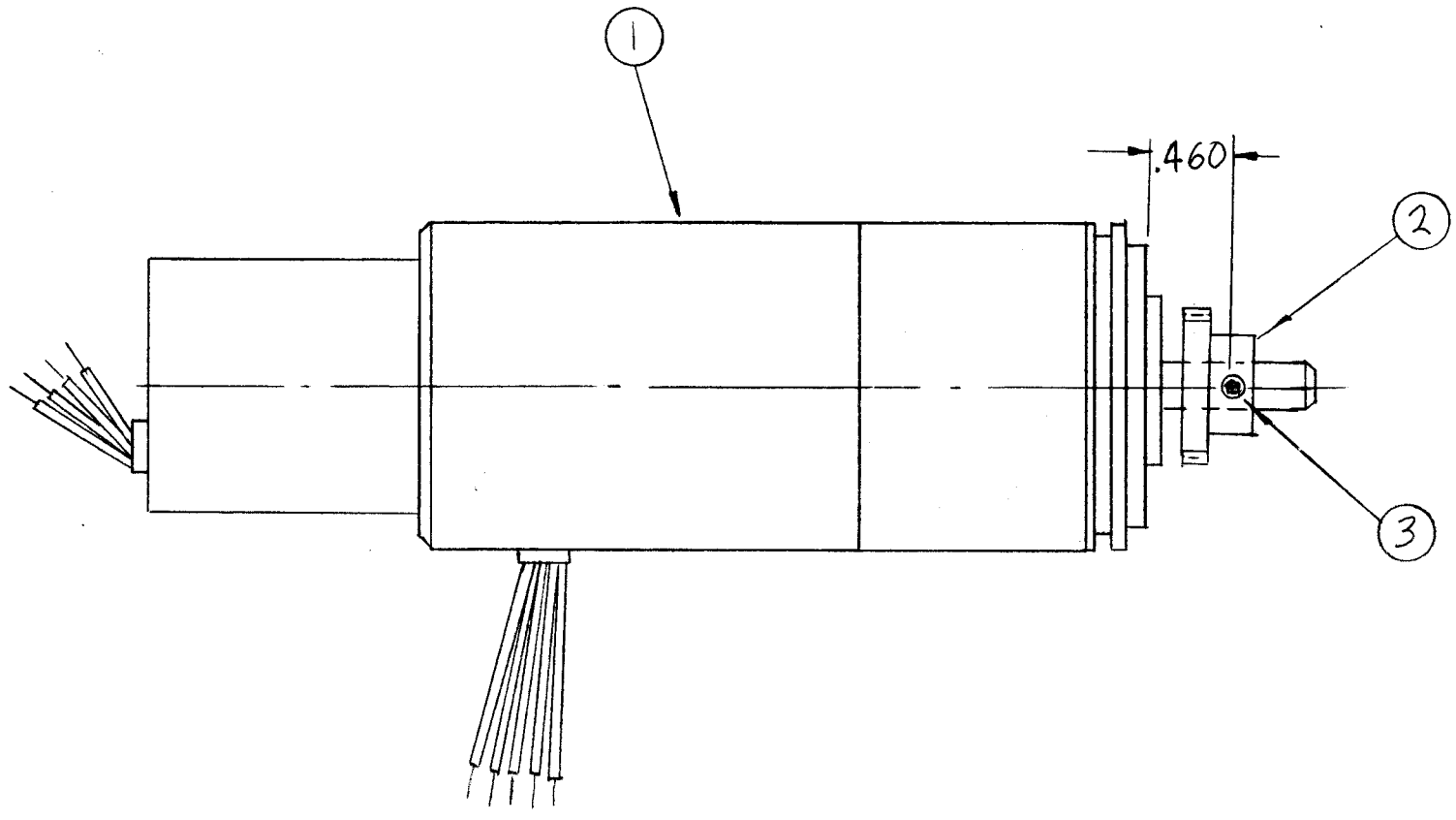


B
A4555

REVISIONS

SYM	DESCRIPTION	DATE	E.M.N. NO.	DRAFT	CHKD	APPD
X	EXP. RELEASE	12-19-66				
Ø	ORIGINAL RELEASE FOR PRODUCTION	3.1.67		W		
A	IT. 2 WAS GR205-18 & .460 DIM WAS .396	6.3.68	18944	H.S.	M	FB
B	ITEM 3 WAS PN 99-062-8	7-8-68	18993			FB



2	3	SLHCO632SP3	SETSCREW	
1	2	GR205-41	GEAR, SPUR, HUB	
1	1	MO126	MOTOR, GENERATOR	
REQ'D.	ITEM	PART NUMBER	DESCRIPTION	SYMBOL

F. BUDETTI LIST OF MATERIAL

MATERIAL		THE TECHNICAL MATERIEL CORP. MAMARONECK, NEW YORK	
FINISH		TITLE MOTOR & GEAR ASSY	
UNLESS OTHERWISE SPECIFIED DIMENSIONS ARE IN INCHES AND INCLUDE CHEMICALLY APPLIED OR PLATED FINISHES		DRAWN: <i>[Signature]</i> CHECKED: <i>[Signature]</i> ELECT. DES: <i>[Signature]</i> MECH. DES: <i>[Signature]</i>	DATE: 12-19-66 DATE: 2-28-67 DATE: 2-28-67
DECIMALS .X ± .05 .XX ± .01 .XXX ± .005		FRACTIONS ± 1/64 ANGLES ± 0° 30'	FINAL APPROVAL: <i>[Signature]</i> DATE: 3/1/67 A4555 SHEET: B
THE CONTENTS OF THIS DRAWING ARE THE EXCLUSIVE PROPERTY OF THE TECHNICAL MATERIEL CORP. ITS UNAUTHORIZED USE OR REPRODUCTION IN WHOLE OR IN PART IS STRICTLY FORBIDDEN.		REV. LTR.	

1	TLAA-2SK	
Q'TY./UNIT	MODEL USED ON	ASS'Y. NO.
SCALE 1:1	CODE C	

NOTES