

IF IT IS FOUND DESIRABLE TO CHANGE ANY TOLERANCE OR OTHER DETAIL SPECIFIED ON THIS DRAWING NOTIFY THE PURCHASER PROMPTLY.

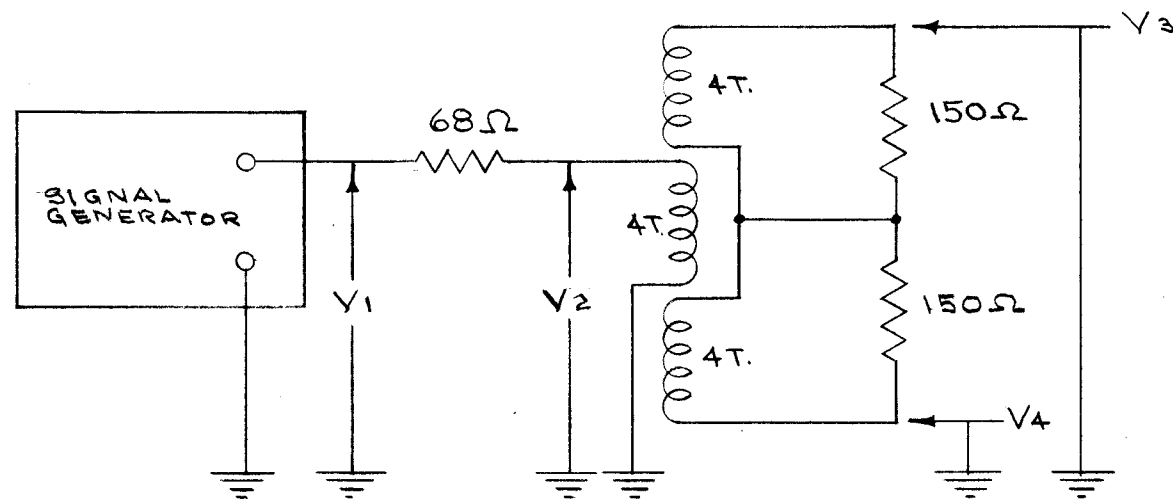
MAXIMUM ALLOWABLE TOLERANCES HAVE BEEN DETERMINED AND DEVIATIONS WILL BE CAUSE FOR REJECTION. REMOVE ALL BURRS AND SHARP EDGES

NOTE:

S-114 - ZINC CHROMATE PRIMER
 S-115 - SMOOTH GRAY ENAMEL
 DO NOT PAINT STUD END
 STAMPING AFTER PAINTING:
 BLACK GOTHIC AS SHOWN

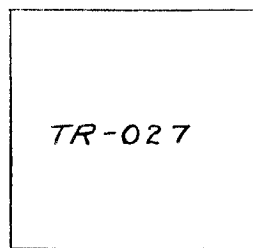
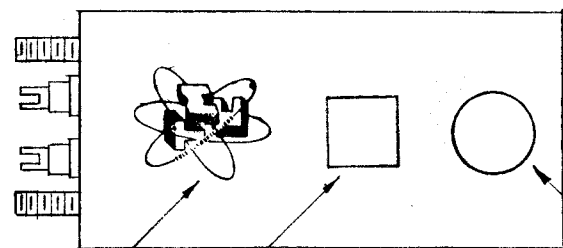
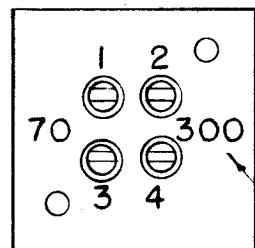
A-466 B

ELECTRICAL TEST DATA

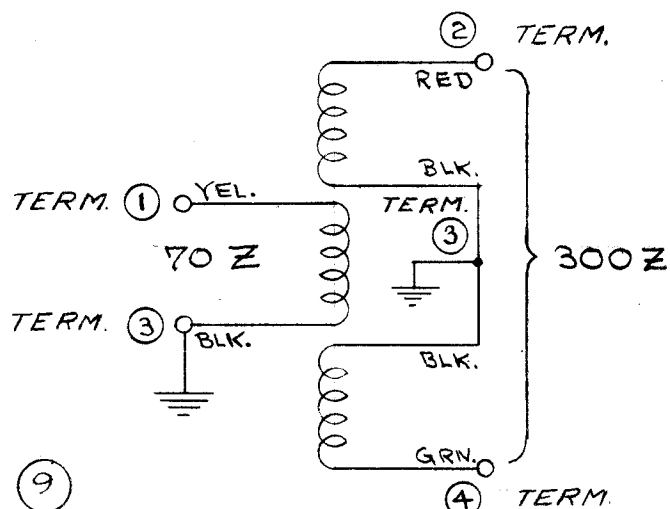


f mc.	R. F. VOLTS *			
	V ₁	V ₂	V ₃	V ₄
2	1.0	.40	.39	.39
8	1.0	.47	.44	.46
32	1.0	.56	.44	.46

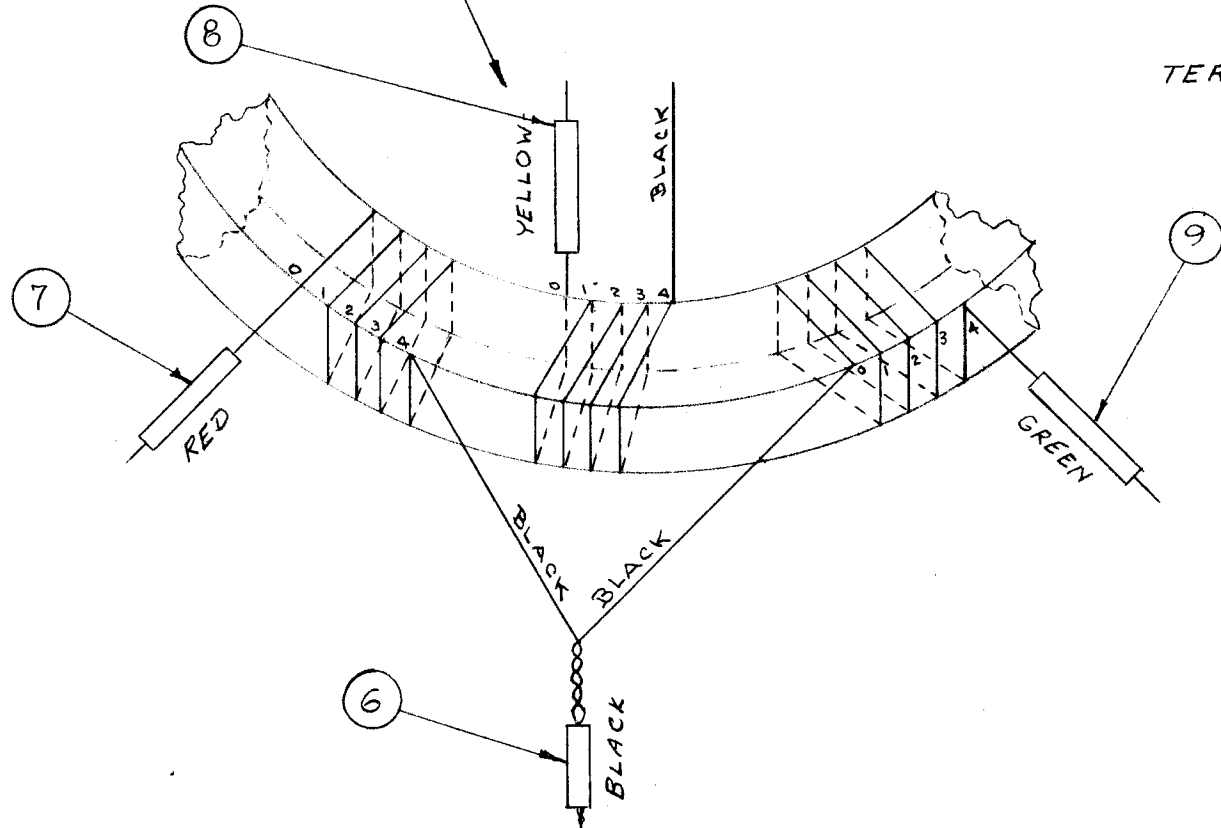
* VOLTAGES MEASURED WITH H.P. VTVM.



COLOR CODE AS SHOWN. NUMBERS IN CIRCLES INDICATE TERMINAL NUMBERS AS SHOWN ON COVER.



1-3 INPUT - 70Ω UNBALANCED
 2-4 OUTPUT - 300Ω BALANCED
 FREQ. RANGE - 2-30 mc. ± 3db.



**NOT TO BE RELEASED
 W/O AUTHORIZATION**

AUTH. BY _____
 DATE: _____

REQ.	ITEM	PART NO.	DESCRIPTION	SYMBOL
1	10	NP-117	TMC INSIGNIA	
X	9	PX-104-4.053	INSULATION SLEEVING (GREEN)	
X	8	PX-104-2-.053	INSULATION SLEEVING (YEL.)	
X	7	PX-104-3-.053	INSULATION SLEEVING (RED)	
X	6	PX-104-1-.053	INSULATION SLEEVING (BLK.)	
X	5	GL-100	POTTING COMPOUND	
X	4	BS-100	SOLDER, SOFT	
X	3	WI-102-9	WIRE	
1	2	CI-100-2	CORE	
1	1	BX-103	CASE, TRANSFORMER	

REQ.	ITEM	PART NO.	DESCRIPTION	SYMBOL
		#	THE TECHNICAL MATERIEL CORP. MAMARONECK. NEW YORK	
		#	TRANSFORMER, ANT. MATCHING	
		#	TR-027	
		#	C.D.D. 5-14-53	FRB
		#	DRAWN	ELEC. DES. APP.
		#	CHECKED	FINAL APPROVAL
		#	SEE NOTE	
		#	FINISH & SPEC. NO.	

ISSUE	ITEM	CHANGED FROM	DATE	CN. NO.	DRAFTS	CHECKER	ENG. APP.
B	1	STAMPING CLARIFIED	5/14/53	2	JAW	OSD	WDC
A	2	NOTE ADDED					
A	1	ITEM 6, 7, 8, 9 ADDED	3-4-53	1	PB	JAW	OMB

TOLERANCES: _____ SCALE: _____

DRILL, PUNCH, COMMERCIAL STOCK SIZES AND MANUFACTURERS TOLERANCES ARE NOT INCLUDED.

MODEL: _____ PROJECT NO.: _____ ASS'Y. NO.: _____ DATE: _____

USED ON: _____

A-466 B