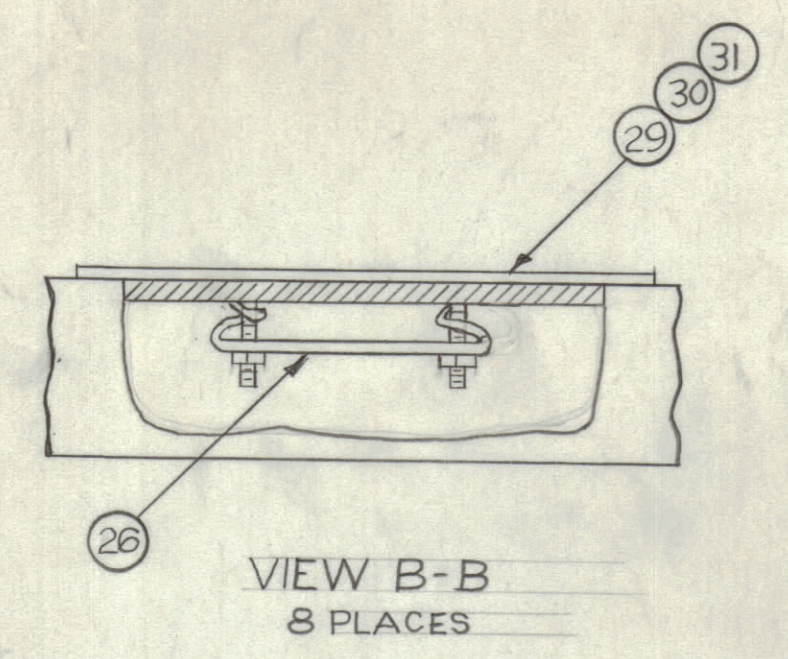


REV.	DESCRIPTION	DATE	BY	CHKD.	APPD.
X	EXPER. RELEASE	4-2-64	1	8-2-64	
XI	ITEMS 26, 32, 33, 34 VIEW B-B ADDED ITEM 18 WAS LK101 (2 REQ) ITEM 16 WAS LK102 ITEM 9 WAS MS 3734 TANK, PRESSURE (2 REQ) ITEMS 2 THRU 6 DESCRIPTIONS CHANGED	5/28/64	XI	A.M.	
0	ORIGINAL RELEASE FOR PRODUCTION	6-1-64	0	A.M.	TAK
A	IT 3594 CALLOUTS ADDED	7/5/65	19461	B.V.	9/18/65



REQ'D.	ITEM	PART NUMBER	DESCRIPTION	SYMBOL
8	36	WAI01-11	WASHER, N.M.	
8	35	SCBP1032BN5	SCR. MACH	
1	34	MS3734-2	TANK, PRESSURE (RIGHT)	
1	33	LK102-1R	CATCH, FRICTION	
1	32	LK102-1R	CATCH, FRICTION	
16	31	LWS03MRN	LOCKWASHER, SPLIT	
16	30	NTH0348BN6	NUT, HEX	
16	29	SCFP0348BN6	SCREW, MACHINE	
2	28	MS 3104	COVER, TOP	
48	27	FP 194	DEFLECTOR, AIR	
8	26	FS102-1	LOCK SPRING	
40	25	SCBP0632BN6	SCREW, MACHINE	
12	24	SCBP2520BN12	SCREW, MACHINE	
24	23	NTH0440BN8	NUT, HEX	
24	22	LWS04MRN	LOCKWASHER, EXTERNAL	
24	21	SCFP0440BN6	SCREW, MACHINE	
12	20	NT 117-2520 A	NUT, ANCHOR	
4	19	SCFP1032BN16	SCREW, MACHINE	
1	18	LK 101-1L	CATCH, FRICTION	
4	17	SCFP2520BN20	SCREW, MACHINE	
1	16	LK 102-1L	CATCH, FRICTION	
1	15	MS 3099-2	DOOR, REAR	
1	14	MS 3099-1	DOOR, REAR	
2	13	AX 390	BLOWER, PANEL ASSEMBLY	
4	12	FW10HBN	WASHER, FLAT	
4	11	NTH1032BN12	NUT, HEX	
4	10	GA 152	GASKET, PRESSURE TANK	
1	9	MS 3734-1	TANK, PRESSURE (LEFT)	
1	8	MS 3100-2	DOOR, FRONT, BOTTOM	
1	7	MS 3100-1	DOOR, FRONT, BOTTOM	
1	6	A 3590	DOOR ASSEMBLY, WINDOW, LEFT SIDE	
1	5	A 3126	DOOR ASSEMBLY, WINDOW, RIGHT SIDE	
3	4	MS 1850-S	PLATE, ACCESS	
2	3	PM 825-2	TRIM, SIDE	
1	2	PM 825-3	TRIM, TOP	
1	1	MS 3081	RACK, DUAL	

LIST OF MATERIAL			
MATERIAL	THE TECHNICAL MATERIEL CORP. MAMARONECK, NEW YORK		
FINISH	TITLE CABINET, ELECT. EQUIP. DUAL RACK		
QTY./UNIT	MODEL USED ON	ASSY. NO.	DATE
SCALE	CODE		
UNLESS OTHERWISE SPECIFIED DIMENSIONS ARE IN INCHES AND INCLUDE CHEMICALLY APPLIED OR PLATED FINISHES		DRAWN	DATE
DECIMALS		CHECKED	DATE
FRACTIONS		ELECT. DES.	DATE
TOLERANCES		MECH. DES.	DATE
ANGLES			
± 1/64			
± .01			
± .005			

NOTES

1	RAK-22	
SCALE	CODE	ASSY. NO.
	A	
THE CONTENTS OF THIS DRAWING ARE THE EXCLUSIVE PROPERTY OF THE TECHNICAL MATERIEL CORP. ITS UNAUTHORIZED USE OR REPRODUCTION IN WHOLE OR IN PART IS STRICTLY FORBIDDEN.		