

REV. POS. E
A-3407

REVISIONS					
SYM	DESCRIPTION	DATE	E.M.N. NO.	DRAFT	CHKD APPD
X1	2 5/8 WAS 2 1/4	2/6/64		TR.	T.K.A.
X2	SEE SHEET 2 OF 2	4-17-64	X2	A.M.	@
O	ORIGINAL RELEASE FOR PRODUCTION	4/24/64	O	A.M.	
A	FOR REVISION SEE SHEET 2 OF 2 REV. "A"	8.14.64	11623	JB	M. T.K.A.
B	SEE SHEET 2 OF 2 REV. "B"	10.23.64	12706	JB	@ T.K.A.
C	SEE SHEET 2 OF 2 REV. "C"	4.30.65	13936	JB	@ T.K.A.
D	SEE SHEET 2 OF 2	7/9/65	14322	X.V.	@ T.K.A.
E	SEE SHEET 2 OF 2	8-17-65	14584	E	@ T.K.A.
F	NOTE 5 ADDED - SEE SHEET 2 OF 2	10-22-65	14939	G.D.L.	@ T.K.A.

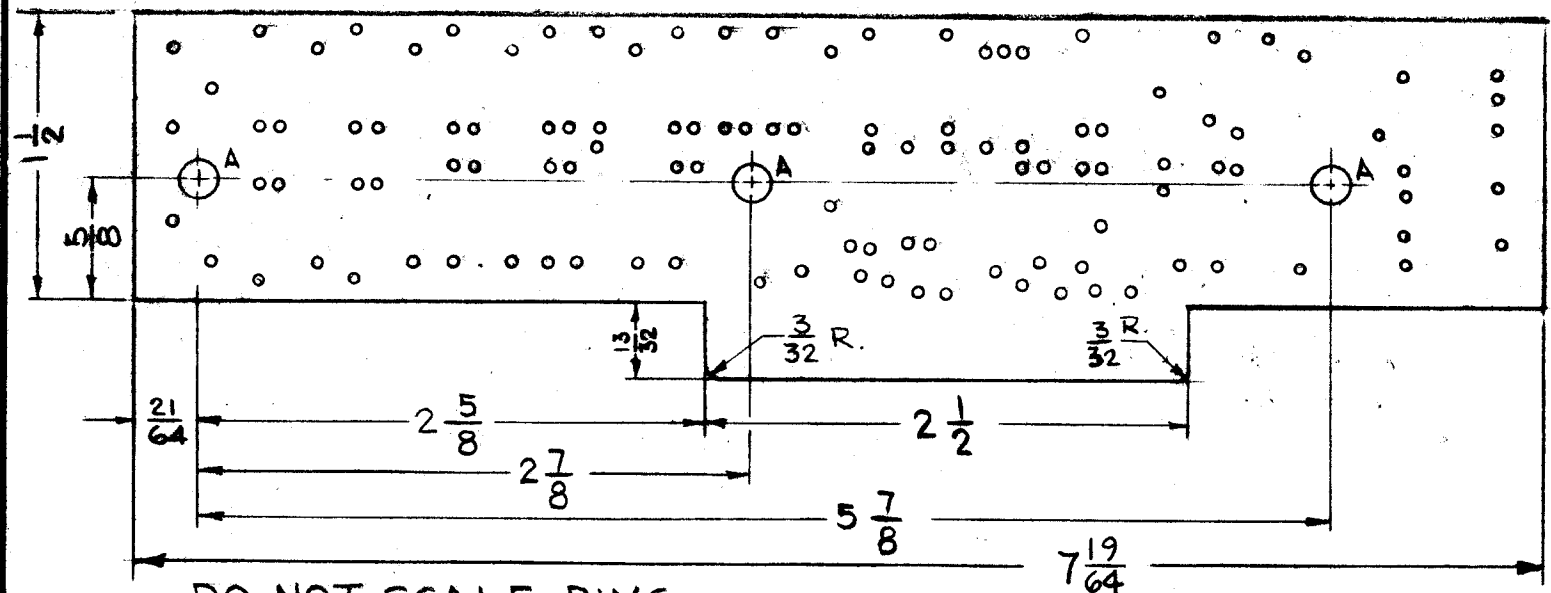
A 3407-1

HOLE & PAD SPEC.			
HOLE	DIA.	PAD DIA	REQ'D
UNMARKED	.052	.130	116
A	.189	.250	3

NOTES: TO BE MANUFACTURED IN ACCORDANCE WITH TMC SPEC. S-795, UNLESS OTHERWISE SPECIFIED.

1. MATERIAL: G-10 EPOXY GLASS LAMINATE, 3/32 THICK. 2-OUNCE COPPER CLAD, BOTH SIDES.
2. ALL PADS ON PRINTED CIRCUIT SIDE MUST ALSO APPEAR ON COMPONENT SIDE IN EXACT SIZE AND REGISTER.
3. ALL UNMARKED HOLES ARE TO BE PLATE-THRU WITH A MINIMUM COPPER PLATING THICKNESS OF .0015. PLATE .0005 TO .0005 NICKEL AND 25 MILLIONTHS MINIMUM OF GOLD ALL ETCHED SURFACES AND PLATE-THRU HOLES.
4. CONDUCTOR WIDTH: .046 MIN., .062 MAX. SPACE BETWEEN CONDUCTORS .031 MIN.
- 5- THIS BOARD IS FOR SPARE PARTS ONLY.

ORIGINAL artwork TO BE SUPPLIED BY TMC FOR PHOTOGRAPHING (SCALE 1-1)



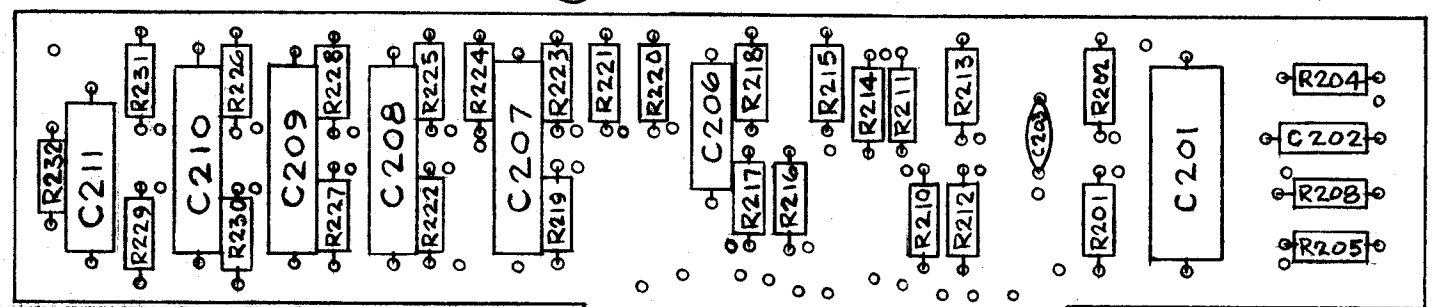
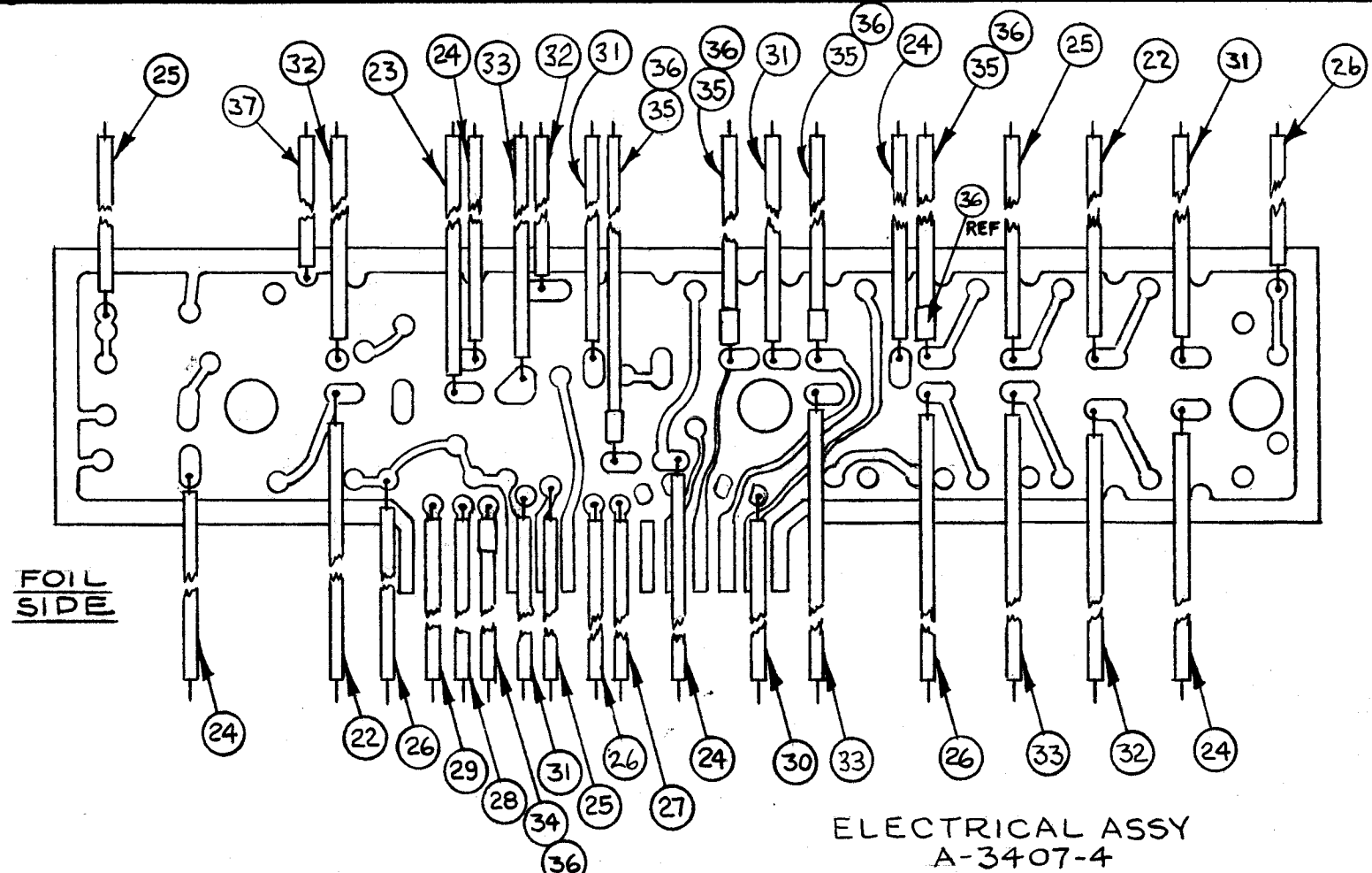
DO NOT SCALE DWG.
MACHINING
A3407-2

A	MSA-1	AX469
Q'TY./UNIT	MODEL USED ON	ASS'Y. NO.
SCALE 1:1	CODE A	

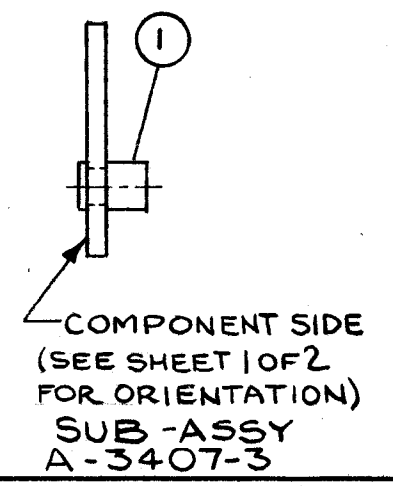
THE CONTENTS OF THIS DRAWING ARE THE EXCLUSIVE PROPERTY OF THE TECHNICAL MATERIEL CORP. ITS UNAUTHORIZED USE OR REPRODUCTION IN WHOLE OR IN PART IS STRICTLY FORBIDDEN.

REQ'D.	ITEM	PART NUMBER	DESCRIPTION	SYMBOL
T.K. AALTONEN LIST OF MATERIAL				
MATERIAL		SEE NOTE 1		
FINISH		SEE NOTE 3		
		THE TECHNICAL MATERIEL CORP. MAMARONECK, NEW YORK		
		TITLE PRINTED CIRCUIT BOARD ASSY (PLUG-IN AUDIO AMPLIFIER)		
DRAWN		DATE	FINAL APPROVAL	
T. RAMIREZ		2/10/63	R.K.	
CHECKED		DATE		
@		4-13-64		
ELECT. DES.		DATE	A-3407	
MECH. DES.		DATE	F	
		4/13/64	SHEET 1 OF 2	
			REV. LT	

NOTES

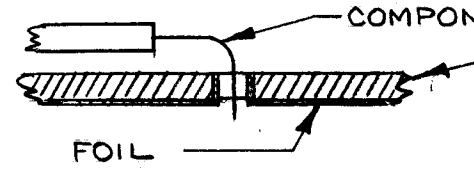


FUNGUS PROOFING PER
TMC SPECIFICATION S-113



ASSEMBLY NOTICE

1. TO MOUNT COMPONENTS, INSERT LEAD THRU PLATED - THRU HOLES & BEND ABOUT 1/16 OF LEAD OVER COPPER FOIL AS SHOWN.
2. APPLY HEAT TO LEAD AND FOIL, SOLDER. CAUTION: TOO MUCH HEAT WILL CAUSE FOIL TO SEPARATE FROM THE BOARD.
3. CLEAN & INSPECT PER TMC SPEC. S-676



NOTES

4	MSA-1	AX469
Q'TY./UNIT	MODEL USED ON	ASS'Y. NO.
SCALE 1:1	CODE A	

THE CONTENTS OF THIS DRAWING ARE THE EXCLUSIVE PROPERTY OF THE TECHNICAL MATERIEL CORP. ITS UNAUTHORIZED USE OR REPRODUCTION IN WHOLE OR IN PART IS STRICTLY FORBIDDEN.

A-3407 F

R230
R228
R214

R208
R226
R227

R225
R223
R216
R211

R213

R220
R229
R231

C207
C208
C209
C210

REVISIONS

SYM	DESCRIPTION	DATE	E.M.N. NO.	DRAFT	CHKD	APPD
E	ITEM 1 WAS TE-108-2	8-17-65	14584			
F	ITEM 6 WAS CN112A254M1 - SEE SHEET 1 OF 2	10-22-65	14939	D.L.G.		

REQ'D.	ITEM	PART NUMBER	DESCRIPTION	SYMBOL
1	38	CM15C47K	CAP. FXD, MICA	C207
11	37	LWC 26(7)U0	WIRE, ELECTRICAL, INSULATED	BLK
5	36	PX830-14-1	INS. SLEEVING, SHRINK	BLK
44	35	MWC22(7)S15	CABLE, SP., SHLD/JKT.	GRN
11	34	MWC22(7)S1	CABLE, SP., SHLD/JKT.	GRN
22	33	LWC26(7)U96	WIRE, ELECTRICAL, INSULATED	WHT/BLU
11	32	U95		WHT/GRN
22	31	U94		WHT/YEL
11	30	U92		WHT/RED
11	29	U91		WHT/BRN
11	28	U1		BRN
11	27	U7		VIO
44	26	U6		BLU
55	25	U5		GRN
88	24	U4		YEL
11	23	U3		ORN
11	22	LWC26(7)U2	WIRE, ELECTRICAL, INSULATED	RED
1	21	RC20GF821J	RESISTOR, FIXED, COMPOSITION	R205
2	20	683J		R204
3	19	474J		R203
3	18	472J		R202
1	17	470J		R201
1	16	391J		R200
1	15	332J		R215
1	14	273J		R224
1	13	224J		R201
1	12	223J		R212
1	11	222J		R221
2	10	158J		R216
4	9	105J		R217
2	8	104J		R222
4	7	RC20GF102J	RESISTOR, FIXED, COMPOSITION	R204
1	6	CN112A254M1	CAPACITOR, FIXED, MET.	C211
4	5	CN100-9	CAPACITOR, FIXED, MET.	C210
1	4	CM15C101J	CAPACITOR, FIXED, ELECTRIC	C202
1	3	CE105-I-25	CAPACITOR, FIXED, ELECTRIC	C206
1	2	CC100-24	CAPACITOR, FIXED, DISC	C203
3	1	TE-108-28C	STANDOFF, RIVET TYPE	

T.K. AALTONEN

LIST OF MATERIAL

MATERIAL: _____

FINISH: _____

UNLESS OTHERWISE SPECIFIED
DIMENSIONS ARE IN INCHES AND INCLUDE
CHEMICALLY APPLIED OR PLATED FINISHES

DECIMALS: .X ± .05, .XX ± .01, .XXX ± .005

FRACTIONS: ± 1/64, ± 0° 30'

TOLERANCES

THE TECHNICAL MATERIEL CORP.
MAMARONECK, NEW YORK

TITLE: PRINTED CIRCUIT BOARD ASSY
PLUG-IN AUDIO AMPLIFIER

DRAWN: T. RAMIREZ
CHECKED: @
ELECT. DES: JKA
MECH. DES: JKA

DATE: 12/16/63
DATE: 4-13-64
DATE: 4/12/64
DATE: 4-13-64

FINAL APPROVAL: [Signature]
DATE: 4/22/64

A-3407 F

SHEET 2 OF 2

REV. LTR.