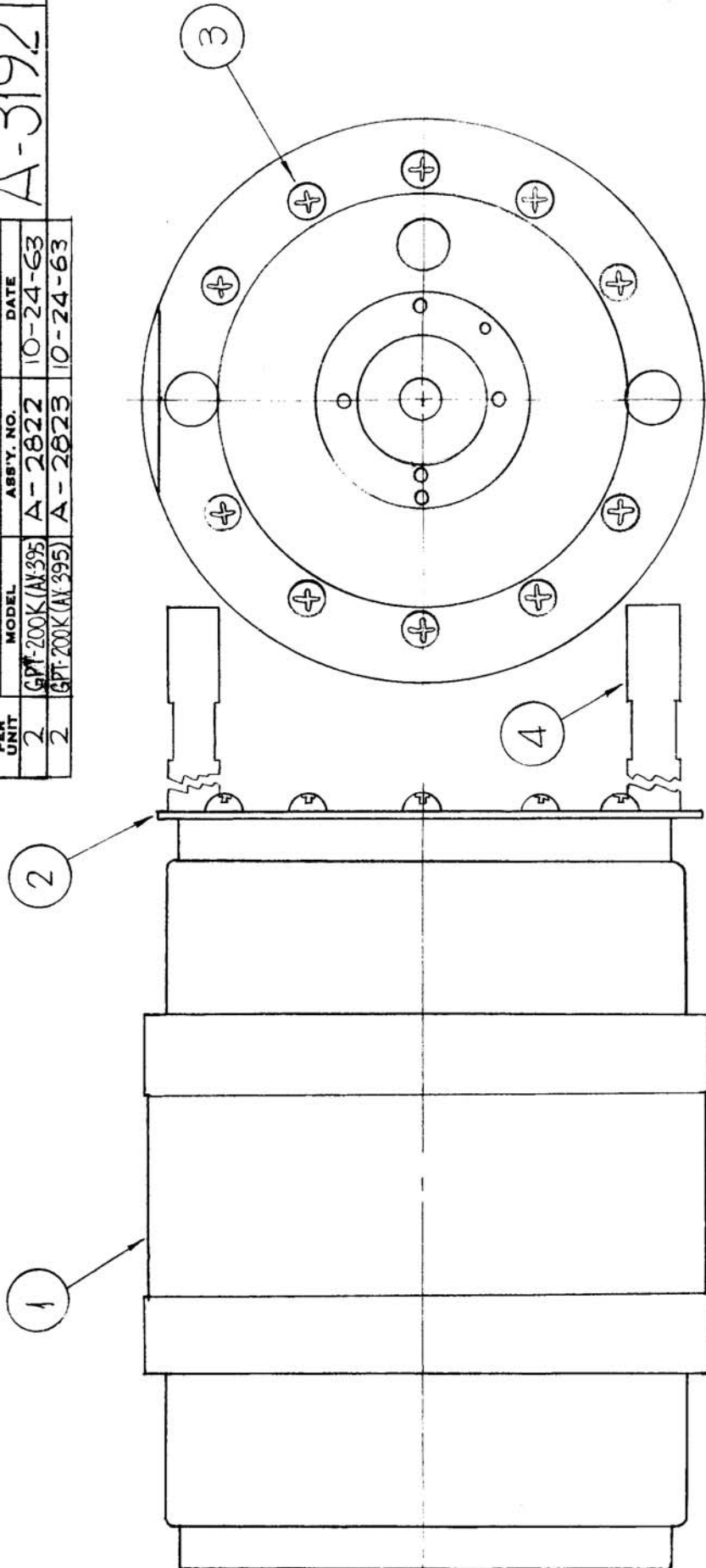


A-3192 0

REQ. PER UNIT	MODEL	ASBY. NO.	DATE
2	GPT-200K (AY 995)	A-2822	10-24-63
2	GPT-200K (AY 995)	A-2823	10-24-63



REQ. ITEM	PART NO.	DESCRIPTION	SYMBOL
X 5	TA-113-3-1	ADHESIVE	
2 4	PM-991	SPACER, SUPPORT	
10 3	SCBP2520BN8	SCREW, MACHINE	
1 2	PM-967	RING, NOTCHED CAP. MTG.	
1 1	CB-167-2	CAP. VARIABLE, VACUUM CERAMIC CASE	

THE TECHNICAL MATERIEL CORP. MAMARONECK, NEW YORK	
VARIABLE CAPACITOR ASS'Y	
SRG	3-30-64
DRAWN	CHECKED
DB	FINAL APPROVAL
ELEC. DES. APP. MECH. DES. APP.	
A-3192 0	

SYM	DESCRIPTION	DATE	CH. NO.	DRAFTS	CHECKER	ENG. APP.
O	ORIGINAL RELEASE FOR PRODUCTION	3-3-64				
UNLESS OTHERWISE SPECIFIED DIMENSIONS ARE IN INCHES AND INCLUDE CHEMICALLY APPLIED OR PLATED FINISHES		SCALE	1/2" = 1"			
TOLERANCES		FRACTIONS		CODE		
.X ± .05		± 1/64		A		
.XX ± .01		ANGLES		± 0° 30'		
.XXX ± .005		TOLERANCES		± 0° 30'		