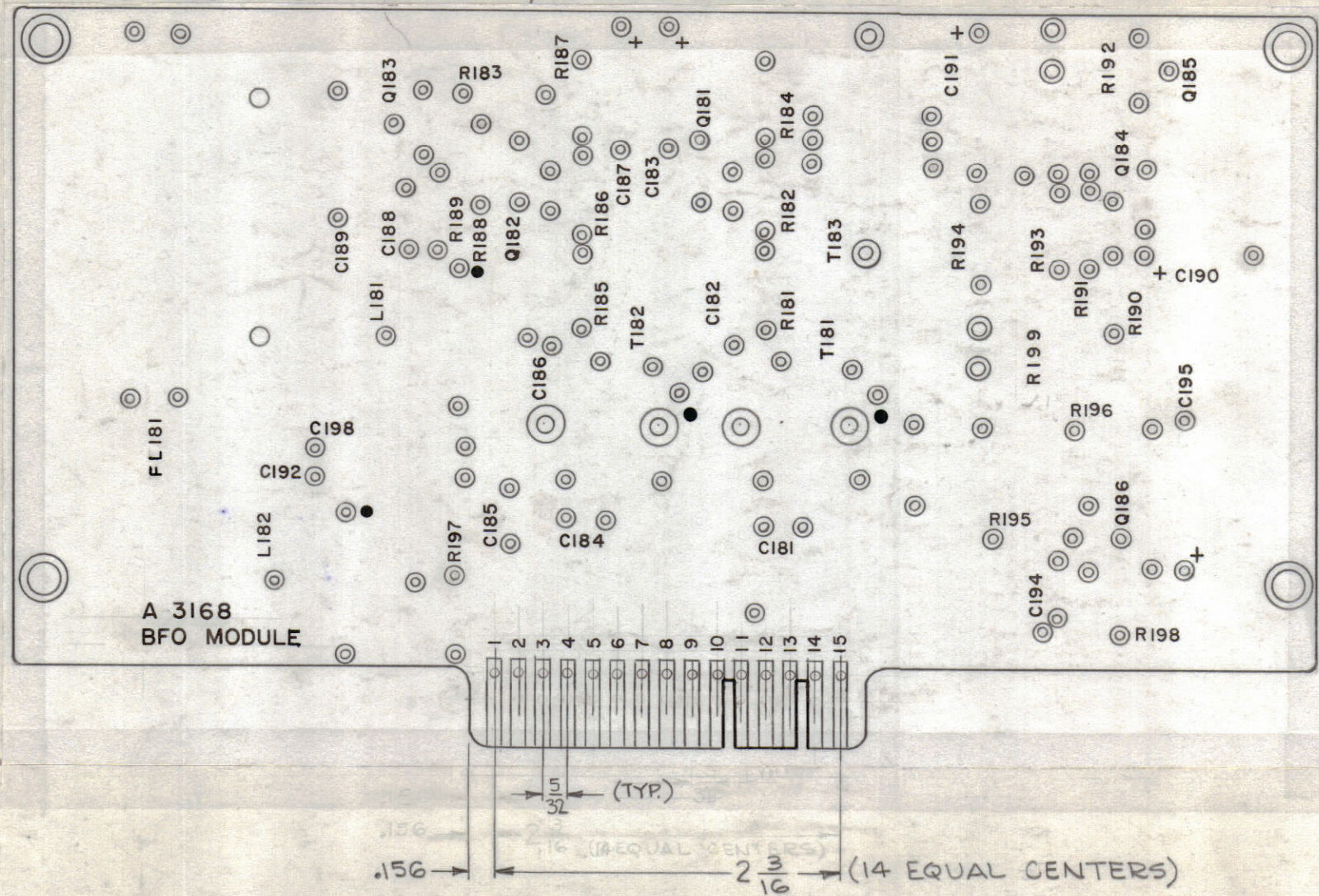
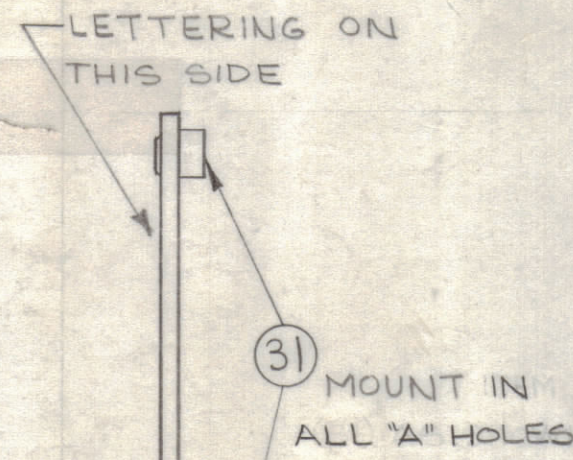


- UNLESS OTHERWISE SPECIFIED -

- NOTE
 1- ALL LETTERING TO BE 5/64 HIGH, BLACK GOTHIC; ALL DOTS TO BE 1/16 DIA, .010 STROKE.
 2- MARKING PROCESS: AS PER TMC SPEC. S-727.
 3- LETTERING TO BE PLACED ± 1/64 AS SHOWN.



MARKING (A 3168-3)



SUB-ASS'Y (A 3168-4)

SUB-ASS'Y

REVISIONS						
ZONE	SYM	DESCRIPTION	DATE	E.M.N. NO.	DRAFT	CHKD
A		SEE SHEET 1 OF 2 REDRAWN	7.22.64	1187	Shaw	①
C2, E3	B	IT.17 WAS CM20E202G, IT.29 WAS 2N396A	8.25.64	12050	hob	②
	C	IT.1 WAS RC20GF102K, IT.19 WAS CM111F102 DIS, IT.20 WAS CM111FG21 DIS, IT.29 WAS 2N396A(TX101-1)	10.30.64	12791	hob	③
C1, C6	D	IT.17 SYM. C198 WAS C193, ON A3168-5 C198 WAS C193	11.17.64	12946	hob	④
	E	ON B/M IT.17 WAS CM112D202G35, IT.27 WAS FLT1A, ON A3168-3 E-5 FL181 WAS FLT1A	12.16.64	13086	HCA	⑤
	F	BLK DOTS ADDED TO T181 & T182	12.22.64	17560	WHD	⑥

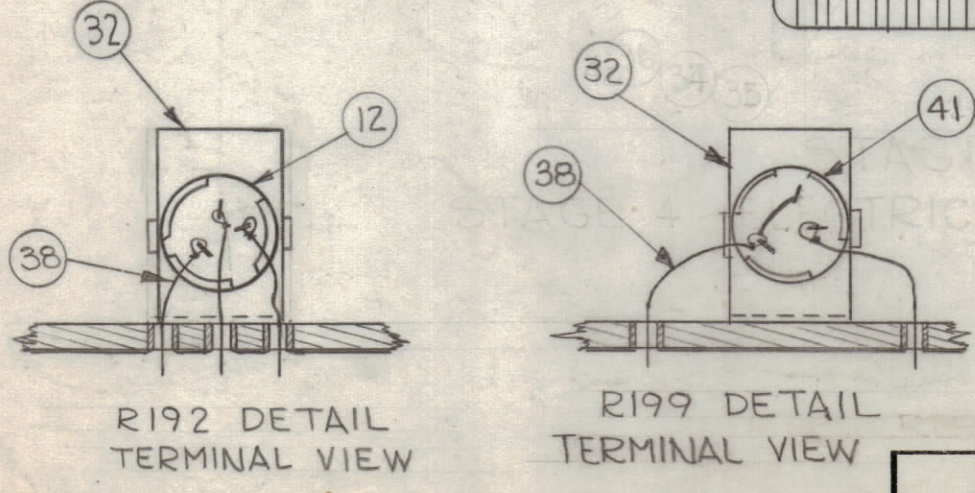
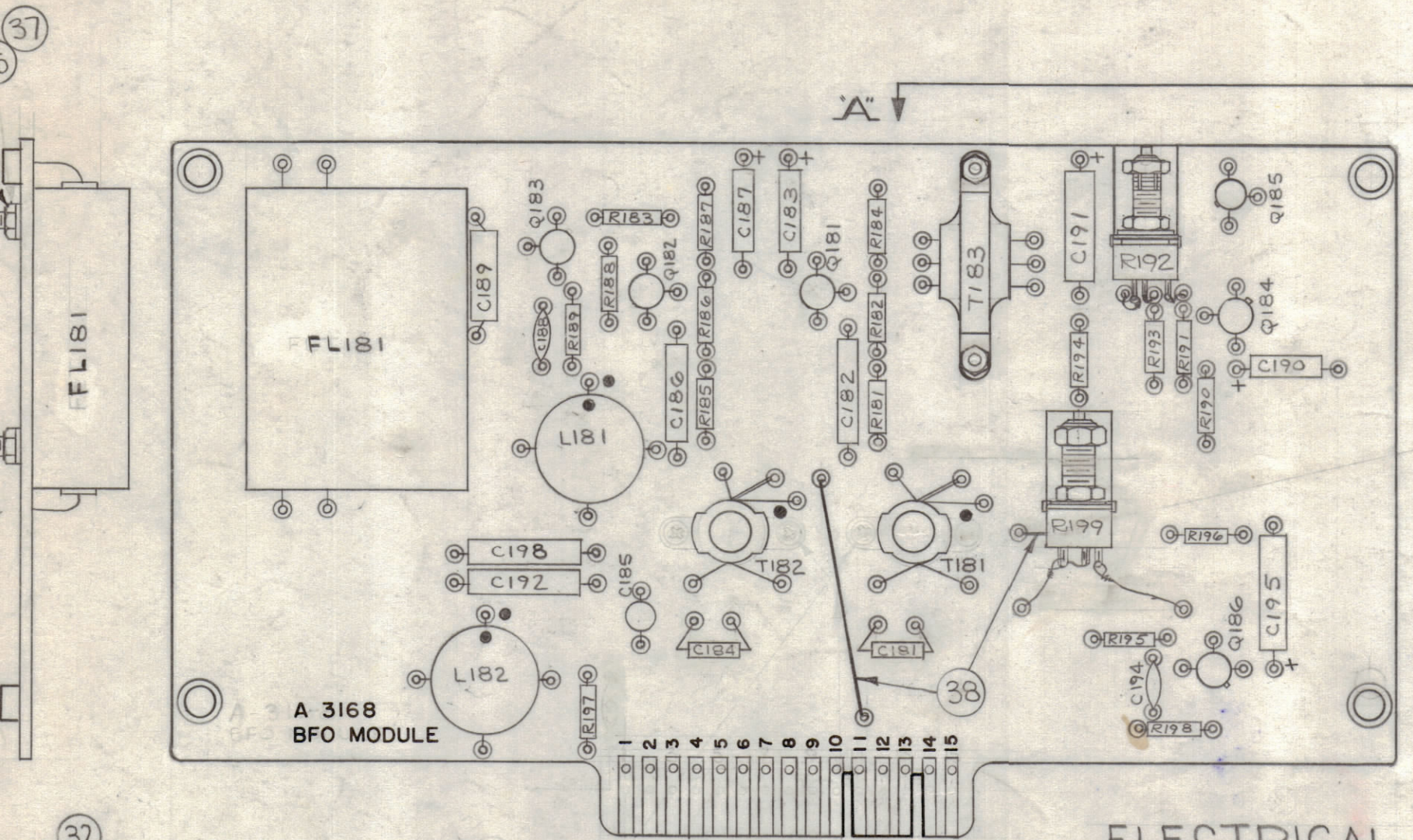
- ASSEMBLY NOTICE
- TO MOUNT COMPONENTS INSERT LEAD THROUGH PLATED-THRU HOLES AND BEND ABOUT 1/16 OF LEAD OVER COPPER FOIL AS SHOWN.
 - APPLY HEAT AND SOLDER TO LEAD AND FOIL - CAUTION - TOO MUCH HEAT WILL CAUSE THE FOIL TO SEPARATE FROM THE BOARD.
 - CLEAN AND INSPECT AS PER S-676.
 - FUNGUS PROOFING PER TMC SPECIFICATION S113.
-

QTY	SYM	PART NUMBER	DESCRIPTION	SYMBOL
4	43	LWI03MRN	LOCKWASHER, INTERNAL	
2	42	SCBP0348BNS	SCREW, MACHINE	
1	41	RV10GUX9B103A	RESISTOR, VARIABLE, COMPOSITION	R199
1	40	CV-112-1	CAPACITOR, VARIABLE	C185
X	39	BS-100	SOLDER, SOFT	
X	38	WL-100-G	WIRE, BUSS BAR TINNED #20	
2	37	NTH0632BN10	NUT, HEX.	
2	36	NTH0348BN8	NUT, HEX.	
2	35	LWI06MRN	LOCKWASHER, INTERNAL	
4	34	LWI04MRN	LOCKWASHER, INTERNAL	
4	33	SCBP0440BN4	SCREW, MACHINE	
2	32	MS-3392	BRACKET, MOUNTING	MTG R192, 193
4	31	TE-164-7	STANDOFF, RIVET TYPE	A
1	30	TF-263	TRANSFORMER, MINIATURE	T183
3	29	TX101-1A (TX101-1)	TRANSISTOR	Q184, 185, 186
3	28	2N1637	TRANSISTOR	Q181, 182, 183
1	27	FX-194	FILTER, LOW PASS, 2.5 KC.	FL181
1	26	CL-320	COIL, R.F., FIXED	L182
1	25	CL-316	COIL, R.F., FIXED	L181
1	24	TT-196-2	TRANSFORMER, R.F., TUNED	T181
1	23	TT-196-1	TRANSFORMER, R.F., TUNED	T182
1	22	CC-100-33	CAPACITOR, FIXED, CERAMIC, DISC	C194
1	21	CC-100-28	CAPACITOR, FIXED, CERAMIC, DISC	C188
1	20	CM111F621G5S	CAPACITOR, FIXED, MICA	C181
1	19	CM112F112D5S	CAPACITOR, FIXED, MICA	C184
3	18	CM20E102G	CAPACITOR, FIXED, MICA	C182, 186, 187
2	17	CM112D202G5S	CAPACITOR, FIXED, MICA	C192, 198
1	16	CE-105-2-15	MINIATURE ELECTROLYTIC CAP.	C190
2	15	CE-105-10-15		C183, 187
1	14	CE-105-15-15		C195
1	13	CE-105-25-15	MINIATURE ELECTROLYTIC CAP.	C191
1	12	RV10GUX9B501A	RESISTOR, VARIABLE COMPOSITION	R192
1	11	RC20GF822K	RESISTOR, FIXED, COMPOSITION	R196
2	10	RC20GF470K		R191, 193
1	9	RC20GF472K		R183
1	8	RC20GF273K		R188
1	7	RC20GF222K		R194
3	6	RC20GF182K		R181, 185, 185
1	5	RC20GF153K		R198
2	4	RC20GF123K		R182, 186
2	3	RC20GF122K		R184, 187
2	2	RC20GF103K		R189, 190
1	1	RC20GF471K	RESISTOR, FIXED, COMPOSITION	R197

REQ'D.	ITEM	PART NUMBER	DESCRIPTION	SYMBOL
M. GELLMAN LIST OF MATERIAL				
MATERIAL			THE TECHNICAL MATERIEL CORP. MAMARONECK, NEW YORK	
FINISH			TITLE PRINTED CIRCUIT BOARD, ASSEMBLY (BFO MODULE)	
UNLESS OTHERWISE SPECIFIED DIMENSIONS ARE IN INCHES AND INCLUDE CHEMICALLY APPLIED OR PLATED FINISHES			DRAWN G. Shaw	DATE 4-15-63
TOLERANCES			CHECKED	DATE 5/18/64
DECIMALS .X ± .05 .XX ± .01 .XXX ± .005			ELECT. DES. MLE	DATE 5-7-64
FRACTIONS ± 1/64 ANGLES ± 0° 30'			MECH. DES.	DATE
THE CONTENTS OF THIS DRAWING ARE THE EXCLUSIVE PROPERTY OF THE TECHNICAL MATERIEL CORP. ITS UNAUTHORIZED USE OR REPRODUCTION IN WHOLE OR IN PART IS STRICTLY FORBIDDEN.			FINAL APPROVAL	
SCALE 1:1			DATE	
MODEL USED ON VLRA-1			DATE	
ASS'Y. NO. AX 424			DATE	
CODE A			DATE	
REV. LTR.			DATE	

ELECTRICAL ASS'Y (A-3168-5)

VIEW "A-A"



NOTES

REF: CK-677

1	VLRA-1	AX 424
QTY/UNIT	MODEL USED ON	ASS'Y. NO.
SCALE 1:1	CODE A	

THE CONTENTS OF THIS DRAWING ARE THE EXCLUSIVE PROPERTY OF THE TECHNICAL MATERIEL CORP. ITS UNAUTHORIZED USE OR REPRODUCTION IN WHOLE OR IN PART IS STRICTLY FORBIDDEN.

UNLESS OTHERWISE SPECIFIED DIMENSIONS ARE IN INCHES AND INCLUDE CHEMICALLY APPLIED OR PLATED FINISHES

DATE 4-15-63
 DATE 5/18/64
 DATE 5-7-64
 SHEET 2 OF 2
 REV. LTR. F