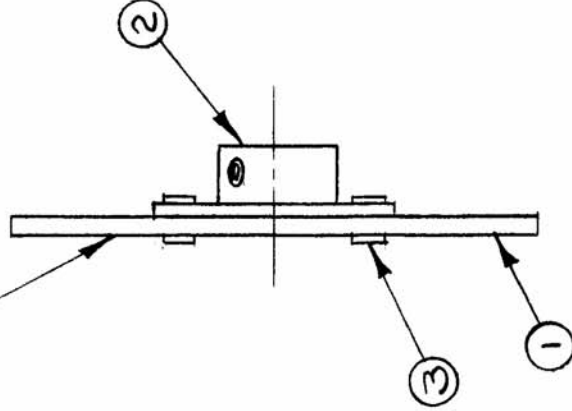
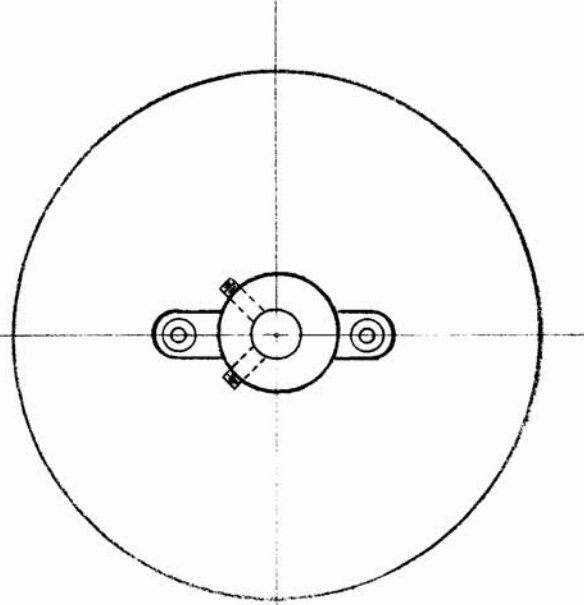


REQ. PER UNIT	1	MODEL	XFK-1	USED ON	A3147
ASSY. NO.	A640	DATE			

CALIBRATION ON THIS SIDE



LINE UP ".150" CALIBRATION MARK HERE (NOTE RELATIONSHIP TO COLLAR SETSCREWS)



ORIGINAL RELEASE FOR PRODUCTION
 X EXPR. RELEASE

DATE: 2.8.65
 SCALE: 2.465

DESCRIPTION: UNLESS OTHERWISE SPECIFIED DIMENSIONS ARE IN INCHES AND INCLUDE CHEMICALLY APPLIED OR PLATED FINISHES

TOLERANCES: DECIMALS: .X ± .05, .XX ± .01, .XXX ± .005; FRACTIONS: ± 1/64 ANGLES: ± 0° 30'

CODE: A

DATE: 2.8.65
 CH. NO. X
 DRAFTS: 1 of 16
 CHECKER: JPB
 ENG. APP.:

REQ. ITEM	PART NO.	DESCRIPTION	SYMBOL
2	EY-100-1	EYELET	
1	MC-105-1	COLLAR	
1	NP-113	DIAL, FREQ. SHIFT	
		THE TECHNICAL MATERIEL CORP. MAMARONECK, NEW YORK	
		DIAL ASSY, FREQ. SHIFT	
MATERIAL			
TYPE & TEMPER			
HEAT TREAT. SPEC.			
FINISH & SPEC. NO.			
ELEC. DES. APP.			
MECH. DES. APP.			

DRAWN: JPB 2.4.65
 CHECKED: JPB
 FINAL APPROVAL: JPB
 A3147