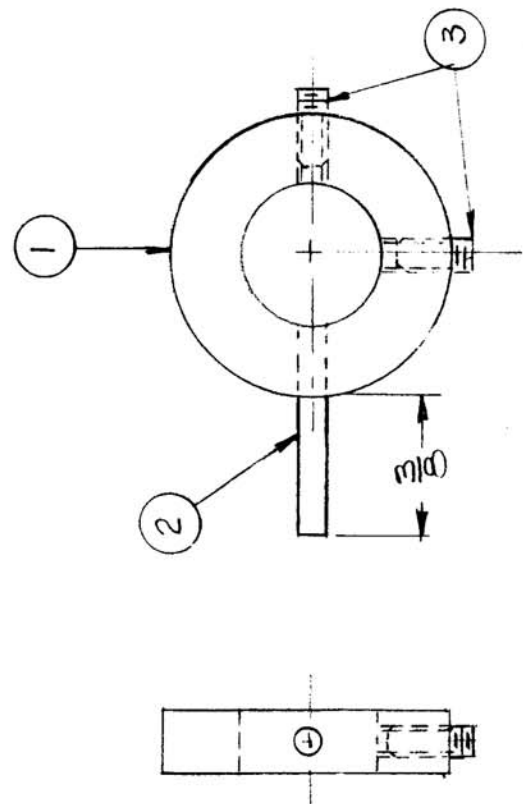


THE CONTENTS OF THIS DRAWING ARE THE EXCLUSIVE PROPERTY OF THE TECHNICAL MATERIEL CORP. ITS UNAUTHORIZED USE FOR REPRODUCTION IN WHOLE OR IN PART IS STRICTLY FORBIDDEN.

REQ. PER UNIT: 1
 MODEL: GPR-92
 USED ON ASSY. NO.:
 DATE: 2-25-63

A-3128 A



UNLESS OTHERWISE SPECIFIED DIMENSIONS ARE IN INCHES AND INCLUDE CHEMICALLY APPLIED OR PLATED FINISHES

DECIMALS
 .X ± .05
 .XX ± .01
 .XXX ± .005

FRACTIONS
 ± 1/64
 ANGLES
 ± 0° 30'

TOLERANCES

DATE: 9-17-63
 CH. NO.: 9930
 SCALE: 2:1

CHECKER: JMJ
 ENG. APP.: JMJ

2	3	SLHC0440SP4	SETScrew	SYMB L
1	2	PN-114-4	PIN, GROOVE	
1	1	PM-833	COLLAR, SHAFT	
REQ. ITEM		PART NO.	STRUMER	DESCRIPTION
			THE TECHNICAL MATERIEL CORP. MAMARONECK, NEW YORK	
		STOCK SIZE	SHAFT, STOP ASSY.	
		MATERIAL	G.D.L	BP
		TYPE & TEMPER	DRAWN	CHECKED
		HEAT TREAT. SPEC.	JMJ	JMJ
		FINISH & SPEC. NO.	ELEC. DES. APP. MECH. DES. APP.	