

THE CONTENTS OF THIS DRAWING ARE THE EXCLUSIVE PROPERTY OF THE TECHNICAL MATERIEL CORP. ITS UNAUTHORIZED USE FOR REPRODUCTION IN WHOLE OR IN PART IS STRICTLY FORBIDDEN.

REQ. PER UNIT

MODEL

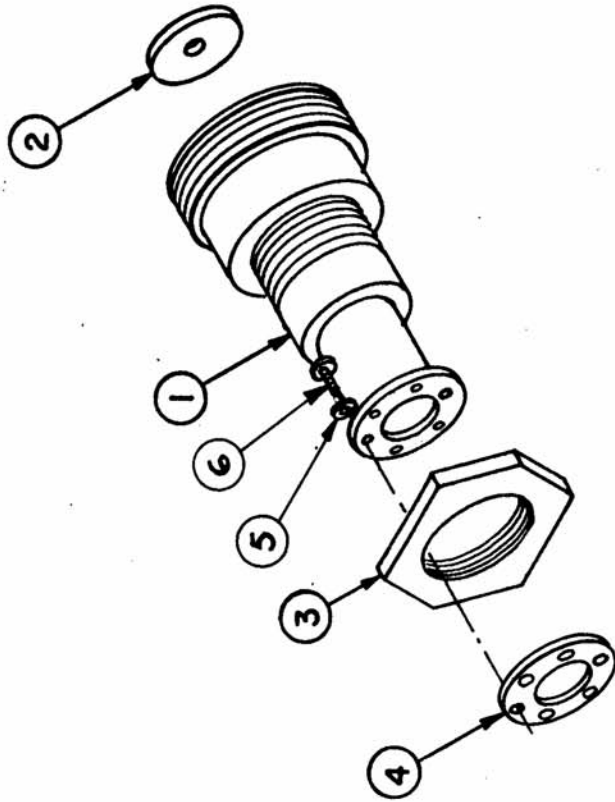
USED ON ASSY. NO.

DATE

A-3086

TCA-85/

10-22-62



REQ. ITEM	PART NO.	DESCRIPTION	SYMBOL
6	SCBP0440BN5	SCREW, MACHINE	
6	LWS04MRN	LOCKWASHER	
1	GA-135	GASKET	
1	NT-103	MOUNTING NUT	
1	PX-106	TEFLON WASHER No.2	
1	SM-135	ADAPTER	

THE TECHNICAL MATERIEL CORP. MAMARONECK NEW YORK	
ADAPTER ASSY, CONNECTOR, FROM ES-85/U TO TCA-85/	
M.TANTILLO	Checked
DRAWN	FINAL APPROVAL
ELEC. DES. APP. MECH. DES. APP.	
FINISH & SPEC. NO. A-3086	

SYM	DESCRIPTION	DATE	CH. NO.	DRAFTS	CHECKER	ENG. APP.
	UNLESS OTHERWISE SPECIFIED DIMENSIONS ARE IN INCHES AND INCLUDE CHEMICALLY APPLIED OR PLATED FINISHES					
	TOLERANCES					
	DECIMALS					
	X ± .05					
	XX ± .01					
	XXX ± .005					
	FRACTIONS ± 1/64					
	ANGLES ± 0° 30'					
	SCALE					
	CODE					