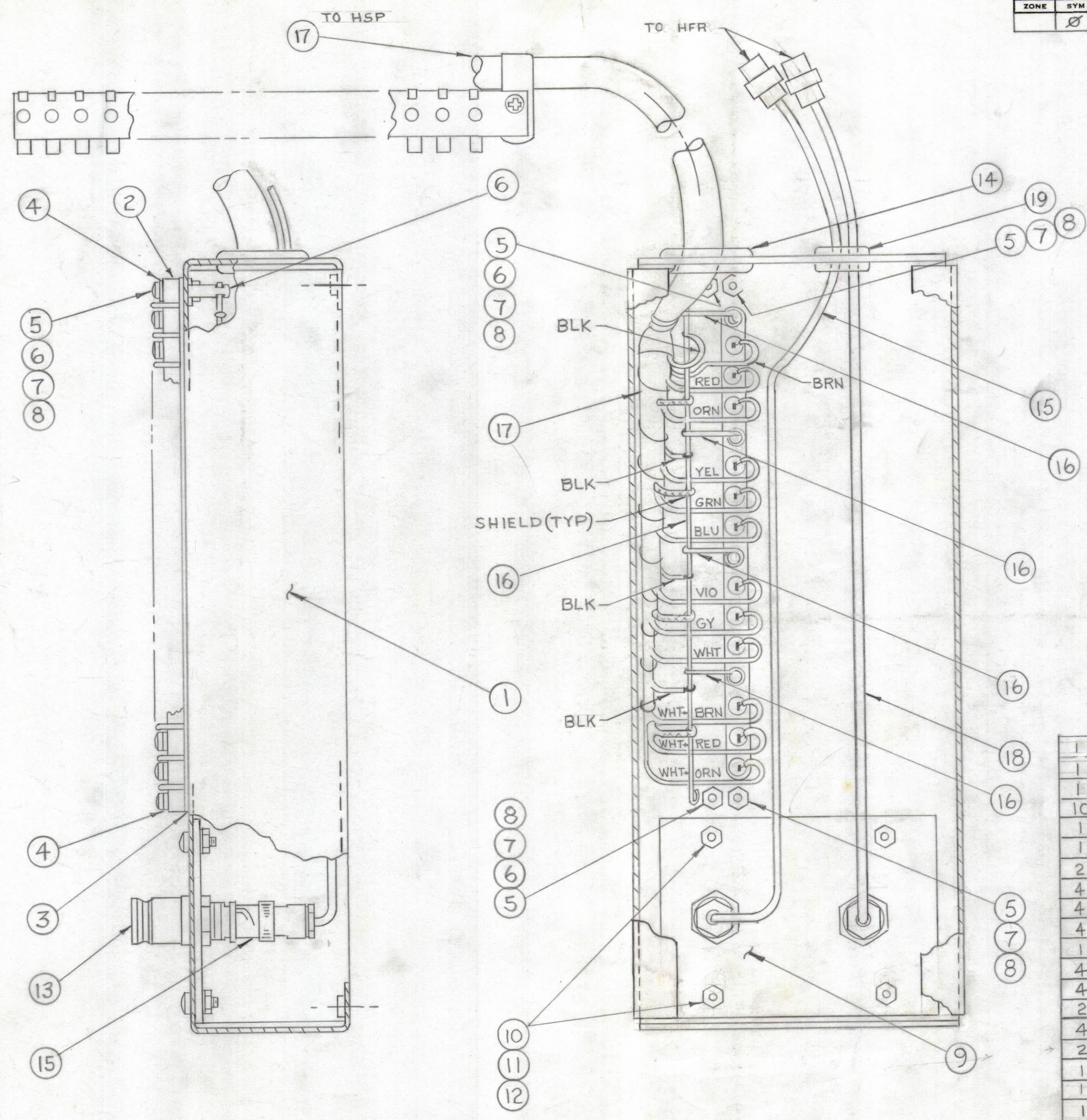


REVISIONS							
ZONE	SYM	DESCRIPTION	DATE	E.M.N. NO.	DRAFT	CHKD	APPD
	Ø	ORIGINAL RELEASE FOR PRODUCTION	10-1-64	Ø	P.F.		



REQ'D.	ITEM	PART NUMBER	DESCRIPTION	SYMBOL
1	19	EY 102-15	GROMMET, RUBBER, 1/2 DIA.	
1	18	CA-480-3-128	CABLE ASSY, RF	W9041
1	17	CA-705-1	CABLE ASSY, SP, 16/C	W9008
10'	16	WL-100-4	WIRE, ELEC, BUSS, SZ 16	
1	15	CA-480-3-160	CABLE ASSY, RF	W9011
1	14	EY-102-22	GROMMET, RUBBER, 3/4 DIA.	
2	13	JJ-213	ADAPTER, CONN., BNC TO QDS	CP9000, CP9002
4	12	NTH0632BNB	NUT, PLAIN, HEX.	
4	11	LWEOGMRN	WASHER, LOCK, EXT.	
4	10	SCBP0632BN6	SCREW, MACHINE	
1	9	PX 664	BOARD, MTG, ANT. ADAPTER	
4	8	NTH0440BNB	NUT, PLAIN, HEX.	
4	7	LWEO4MRN	WASHER, LOCK, EXT.	
2	6	TE-149-120	TERMINAL, LUG, NO. 4	
4	5	SCBP0440BN9	SCREW, MACHINE	
2	4	M5-154-1	PLATE, MTG, TERMINAL BD	
1	3	PX-337-16	INSULATOR, TERM BOARD	
1	2	TM-100-16	TERMINAL BOARD, BARRIER TYPE	TB9001
1	1	LD1099/M52974	CHASSIS, OUTPUT	

LAWNSBY		LIST OF MATERIAL	
MATERIAL		THE TECHNICAL MATERIEL CORP. MAMARONECK, NEW YORK	
FINISH		TITLE OUTPUT CHASSIS ASSY	
UNLESS OTHERWISE SPECIFIED DIMENSIONS ARE IN INCHES AND INCLUDE CHEMICALLY APPLIED OR PLATED FINISHES		DRAWN P. L. Swann	DATE 9-11-64
DECIMALS .X ± .05 .XX ± .01 .XXX ± .005		CHECKED @	DATE 7-29-64
FRACTIONS ± 1/64 ANGLES ± 0° 30'		ELECT. DES. L. Swann	DATE 10-1-64
TOLERANCES		MECH. DES.	DATE
NOTES		FINAL APPROVAL KAL	
		DATE	
		SHEET	
		REV. LTR.	

RAK-22 A1		
Q'TY./UNIT	MODEL USED ON	ASS'Y. NO.
SCALE	CODE	
THE CONTENTS OF THIS DRAWING ARE THE EXCLUSIVE PROPERTY OF THE TECHNICAL MATERIEL CORP. ITS UNAUTHORIZED USE OR REPRODUCTION IN WHOLE OR IN PART IS STRICTLY FORBIDDEN.		

NOTES

A3083