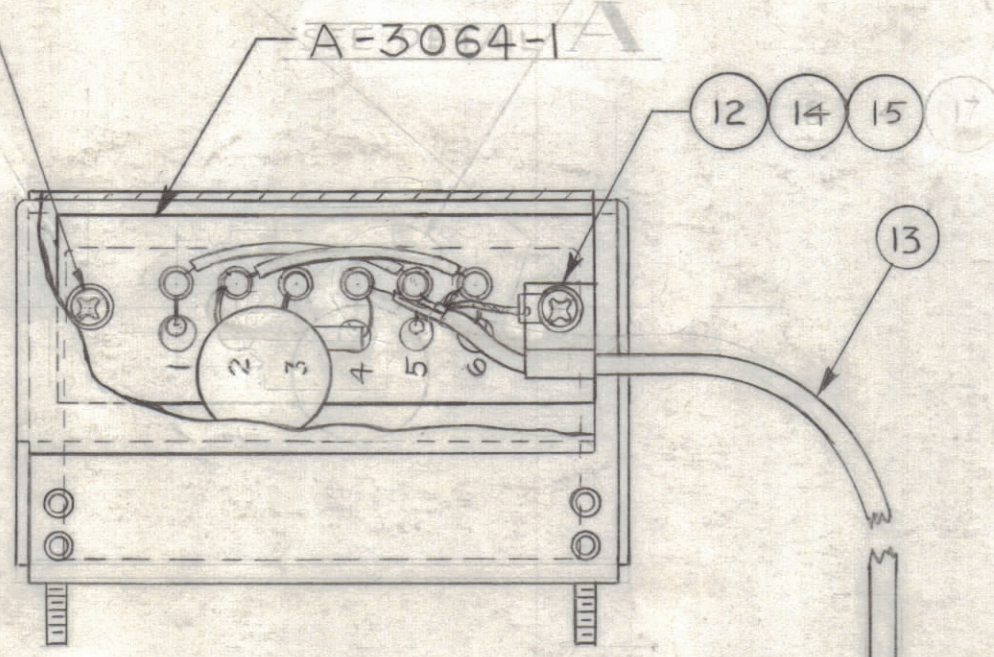
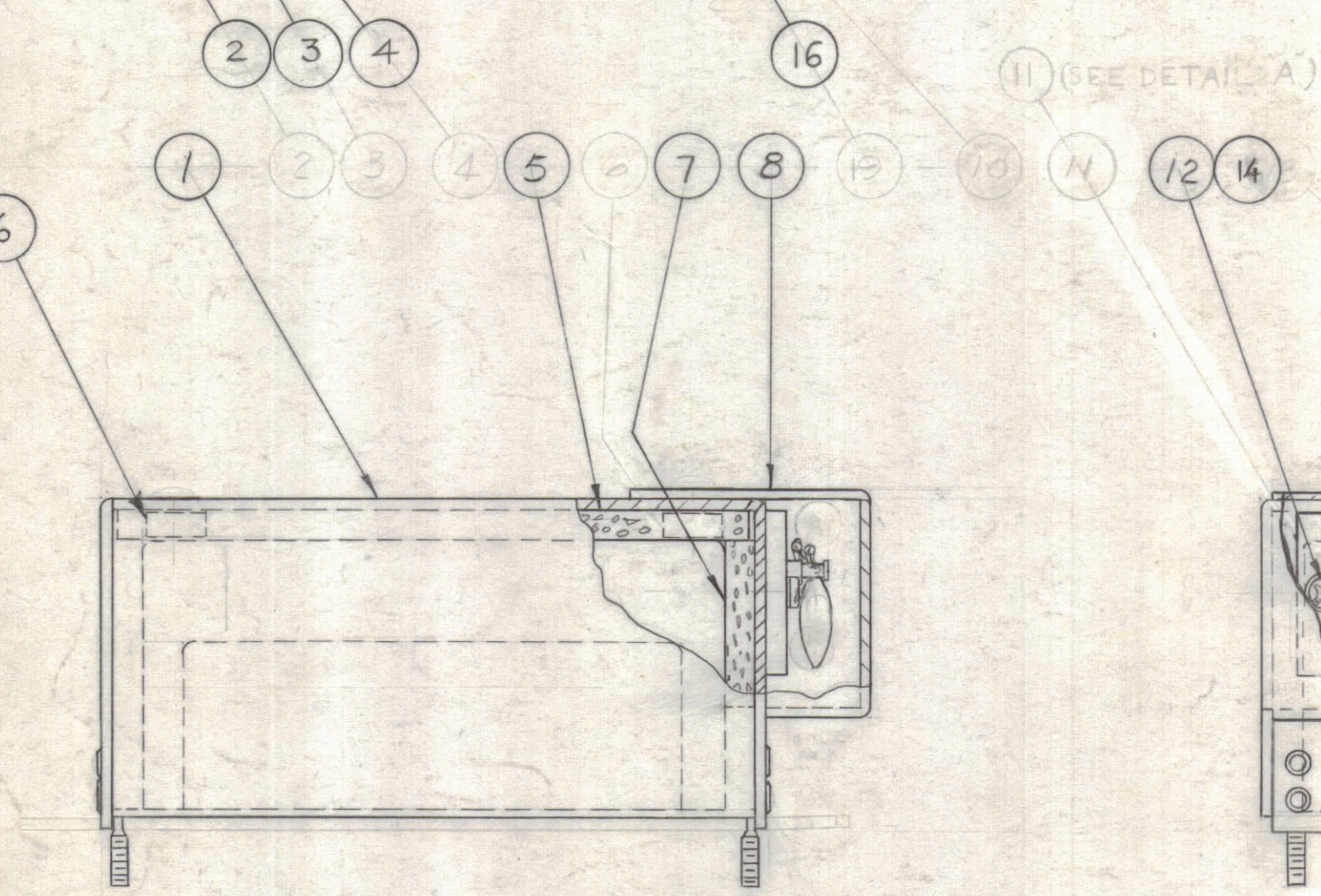
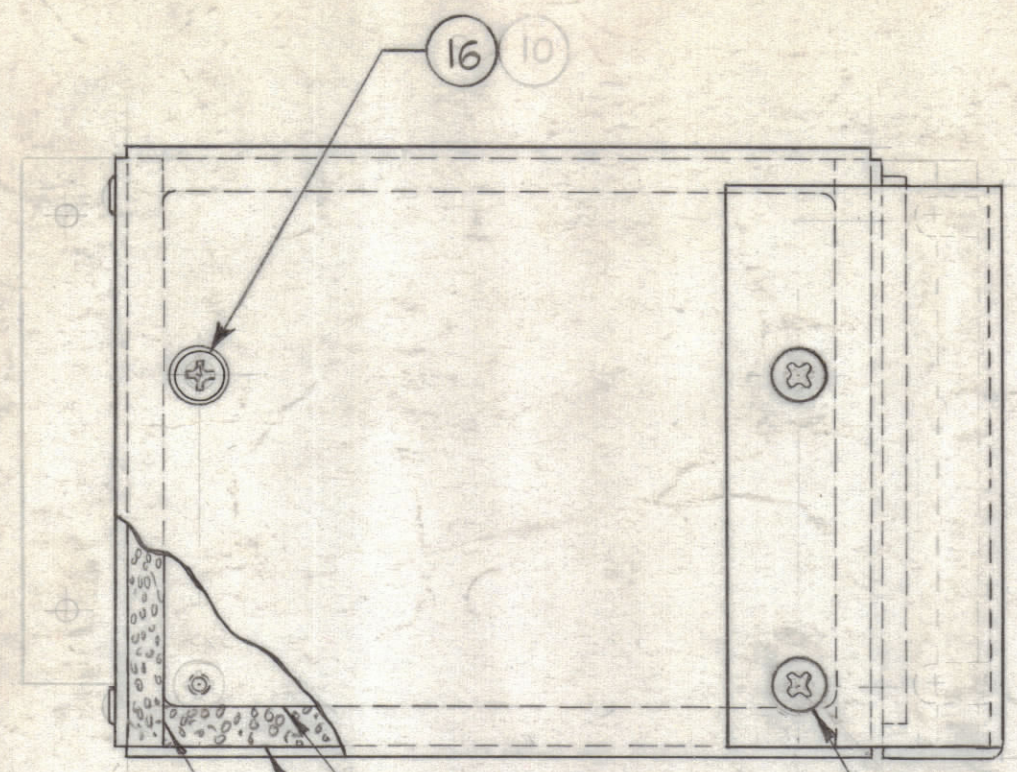
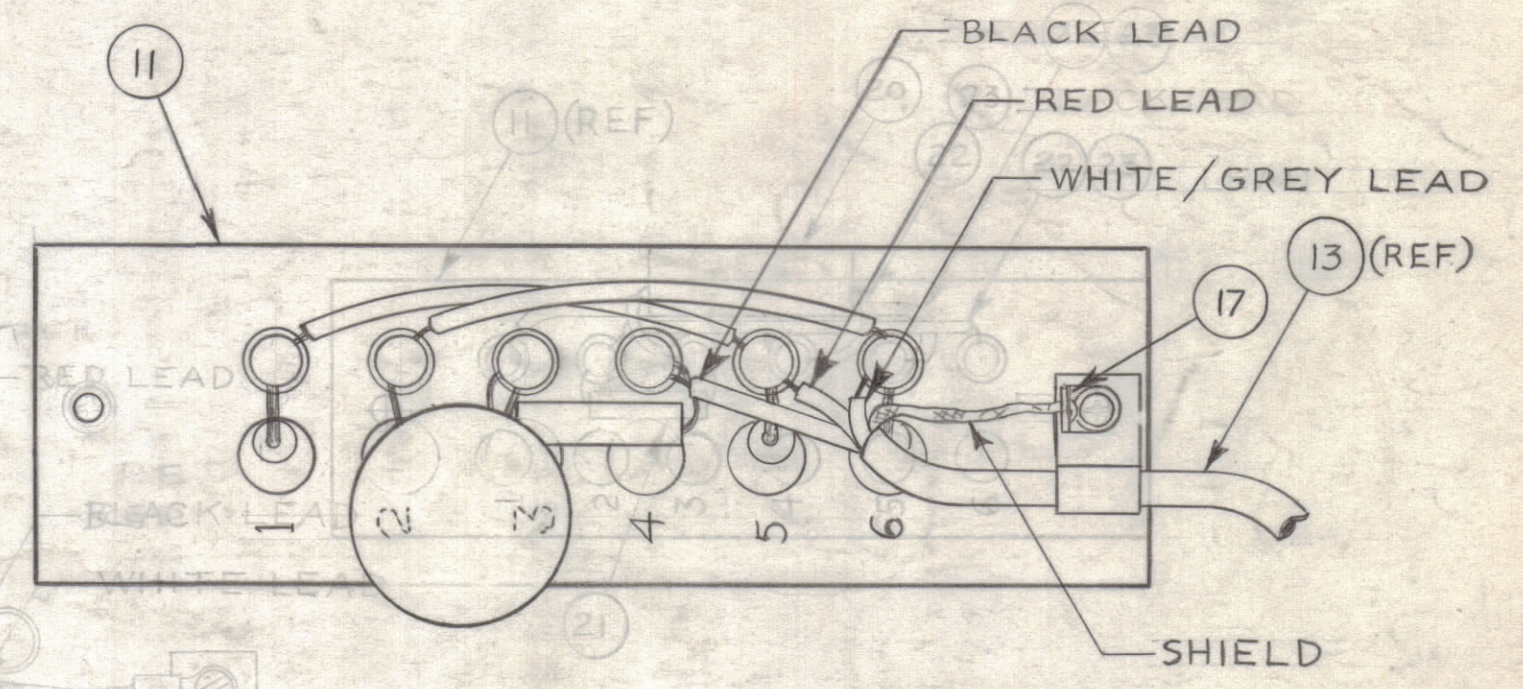


REVISIONS						
ZONE	SYM	DESCRIPTION	DATE	E.M.N. NO.	DRAFT	CHKD
A	-	SCFP0632BNS WAS SCBP0632BNS ITEM 10 DELETED (LW106BNC)	2/2/64	10600	MB	MB
ALL	B	ITEM NO 9 DELETED, ITEM NO 18 ADDED; ITEM 16 QUAN WAS 4; ITEMS 11 & 17 RELOCATED.	3.9.64	10995	MB	MB



A-3064-2  
FINAL ASS'Y

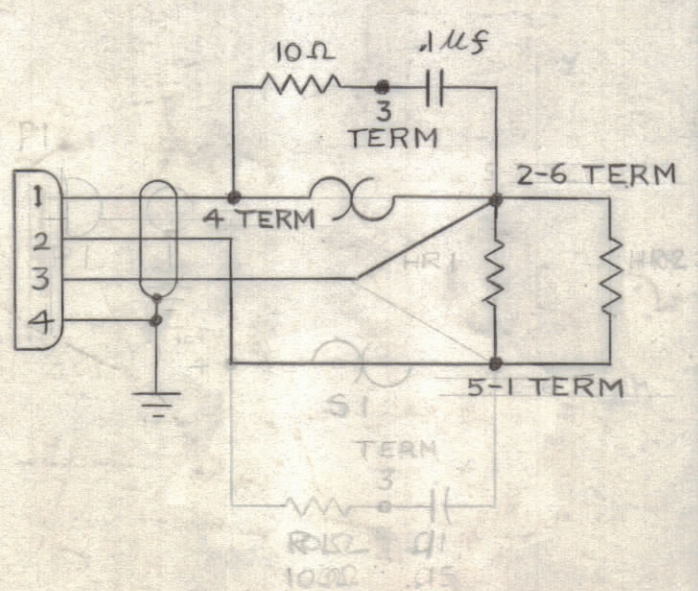


DETAIL A-3064-1  
(SUB-ASS'Y)  
NOT TO SCALE

REQ'D.	ITEM	PART NUMBER	DESCRIPTION	SYMBOL
X	23	PX-104-1-064	SLEEVING, INSULATION (BLACK)	
X	22	WL-100-7	BUSS BAR, TINNED	
1	21	RC20GF101J	RESISTOR, FIXED	
1	20	EN5113-1	CAPACITOR, FIXED	
2	19	SEPM-0632-BNS	#6-32 x 1/2 LG PHILIPS HD. SC.	
X	18	BS-100-4	SOLDER, TIN ALLOY	
1	17	TE-113-120	LUG, TERMINAL	
4	16	SC-131-0632-BNS	SCREW, UNDERCUT, FLAT HD	
1	15	CU-104-5	CLAMP, CABLE	
2	14	LWS 04 MRN	WASHER, SPLIT	
1	13	CA-722	CABLE ASSY	
2	12	SCBP 0440 BNS	SCREW, MACHINE, BIND. HEAD	
1	11	A-2330	TERMINAL BD. ASSY	
2	10	DELETED		
2	9	DELETED		
1	8	MS-3012	COVER, HEATER TERMINAL	
1	7	RY-150	INSULATOR, HEATER	
4	6	TE-117-25	SPACER	
1	5	RY-149	INSULATOR, HEATER	
1	4	PM-812	HEATER, MACHINED	
2	3	RY-137-4	INSULATOR, HEATER	
1	2	RY-137-5	INSULATOR, HEATER	
1	1	MS-3013	COVER, HEATER, XTAL	

A-3064 B

J STRUMER LIST OF MATERIAL			
MATERIAL	—	THE TECHNICAL MATERIEL CORP. MAMARONECK, NEW YORK	
FINISH	—	TITLE AO-111 ASSY (HEATER, XTAL)	
UNLESS OTHERWISE SPECIFIED DIMENSIONS ARE IN INCHES AND INCLUDE CHEMICALLY APPLIED OR PLATED FINISHES	DRAWN T. Ramirez	DATE 3/23/62	FINAL APPROVAL BP
DECIMALS .X ± .05 .XX ± .01 .XXX ± .005	TOLERANCES ± 1/64 ANGLES ± 0° 30'	ELECT. DES. D. Moshavi	DATE 3-19-63
		DATE 3-19-63	DATE
		A-3064 B	
		SHEET	
		REV. LTR.	



OVEN CIRCUIT DIAGRAM

NOTE:  
MOUNTING HARDWARE  
SUPPLIED WITH UNIT.

ITEMS 11 THRU 15 CASE ITEMS SUPPLIED UNIT  
ASSEMBLE THE UNIT BEFORE ITEM 15.

NOTES

QTY./UNIT	MODEL USED ON	ASS'Y. NO.
1	TRX-1	AO-111
SCALE FULL	CODE	
THE CONTENTS OF THIS DRAWING ARE THE EXCLUSIVE PROPERTY OF THE TECHNICAL MATERIEL CORP. ITS UNAUTHORIZED USE OR REPRODUCTION IN WHOLE OR IN PART IS STRICTLY FORBIDDEN.		