

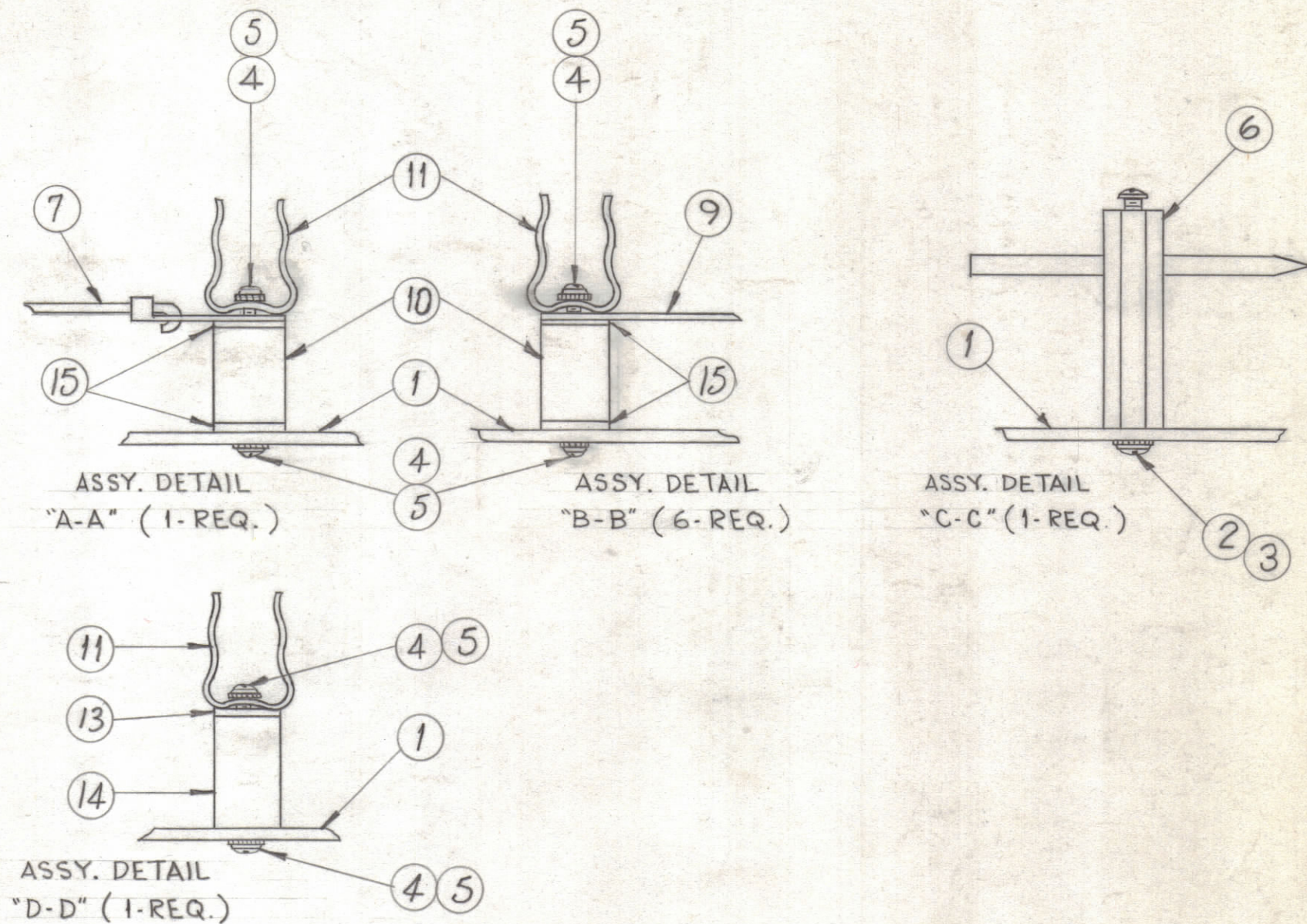
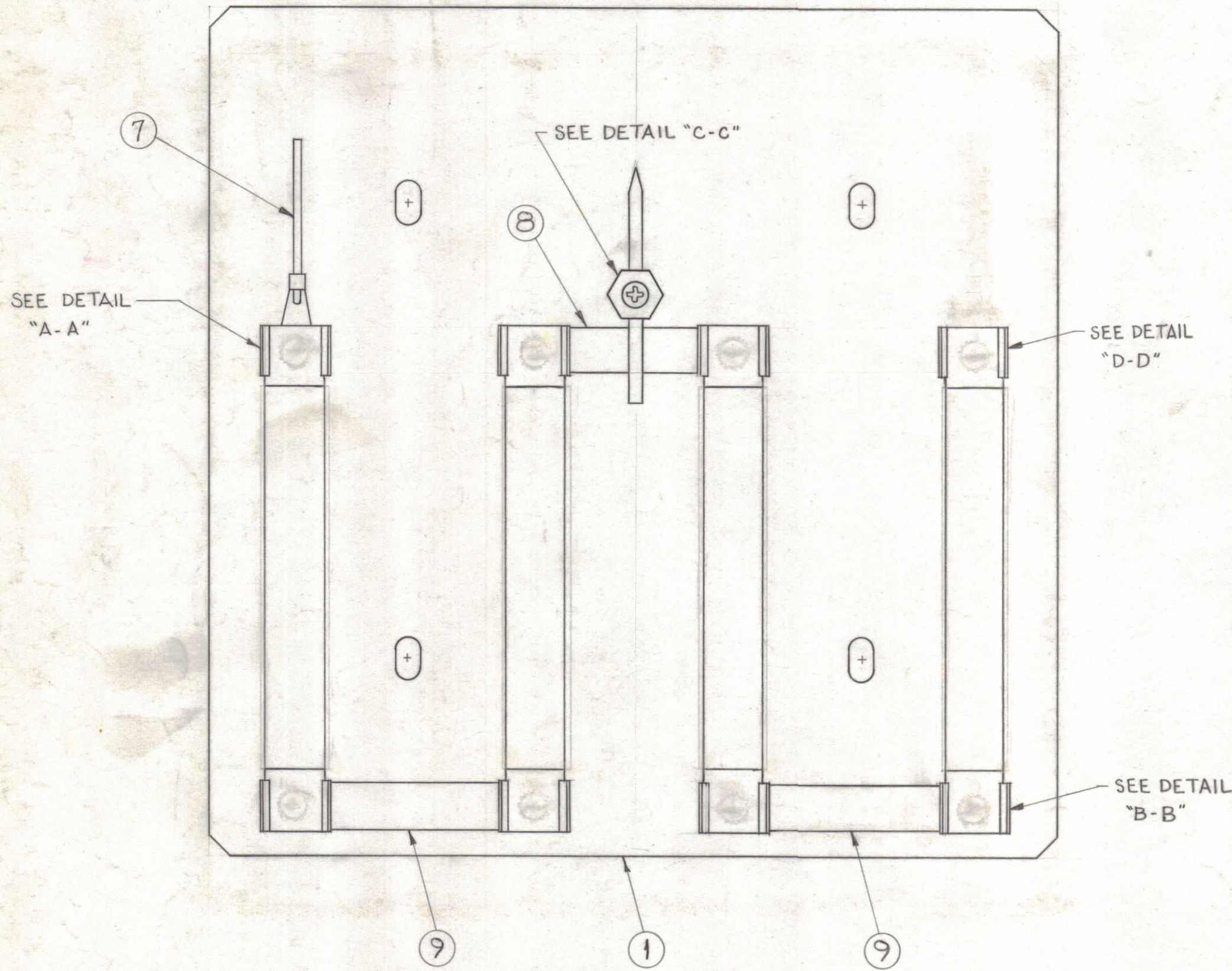
NOTICE TO PERSONS RECEIVING THIS DRAWING

THE TECHNICAL MATERIEL CORPORATION claims proprietary right in the material disclosed hereon. This drawing is issued in confidence for engineering information only and may not be reproduced or used to manufacture anything shown hereon without permission from THE TECHNICAL MATERIEL CORPORATION to the user. This drawing is loaned for mutual assistance and is subject to recall at any time.

Property of:

THE TECHNICAL MATERIEL CORPORATION
MAMARONECK, NEW YORK

| REVISIONS | | | | | | |
|-----------|-----|---|---------|------------|-------|-------------------|
| ZONE | SYM | DESCRIPTION | DATE | E.M.N. NO. | DRAFT | CHKD / APPD |
| C2 | A | ITEMS (10) WAS NS-103, (12) WAS RR-115-100, PICTORIAL CLARIFIED | 8-22-62 | 8604 | RC | glt / [Signature] |



| | | | |
|----|----|------------------|---------------------------------------|
| 14 | 15 | WA-109-46 | WASHER, FIBER |
| 1 | 14 | TE0832AE51R | SPACER, THREADED, 1/2 DIA x 13/16 LG. |
| 1 | 13 | FW08HBN | WASHER, FLAT |
| 4 | 12 | RR-133-1 | RESISTOR |
| 8 | 11 | FC-101 | CLIP, FUSE |
| 7 | 10 | NS3W0206 | INSULATOR, STANDOFF |
| 2 | 9 | MS-144-5 | LINK |
| 1 | 8 | MS-144-6 | LINK |
| 1 | 7 | A-1563-4 | LEAD, ASSY. |
| 1 | 6 | A-170 | LIGHTNING ARRESTOR ASSY. |
| 16 | 5 | SCBP0832BNG | SCREW, MACHINE |
| 16 | 4 | LWE08MRN | LOCKWASHER, EXTERNAL TOOTH |
| 1 | 3 | LWE06MRN | LOCKWASHER, EXTERNAL TOOTH |
| 1 | 2 | SCBP0632BNG | SCREW, MACHINE |
| 1 | 1 | MS-3009(LD-1142) | PLATE, MOUNTING |

| REQ'D. | ITEM | PART NUMBER | DESCRIPTION | SYMBOL |
|---|------|--|-----------------|-------------------------------|
| LIST OF MATERIAL | | | | |
| MATERIAL | | THE TECHNICAL MATERIEL CORP. MAMARONECK, NEW YORK | | |
| FINISH | | TITLE RESISTOR & MOUNTING PLATE SUB-ASSY. | | |
| UNLESS OTHERWISE SPECIFIED DIMENSIONS ARE IN INCHES AND INCLUDE CHEMICALLY APPLIED OR PLATED FINISHES | | DRAWN G. Sincor | DATE 8-22-62 | FINAL APPROVAL [Signature] |
| DECIMALS .X ± .05 .XX ± .01 .XXX ± .005 | | CHECKED [Signature] | DATE 8-27-62 | DATE 8-27-62 |
| FRACTIONS ± 1/64 ANGLES ± 0° 30' | | ELECT. DES. [Signature] | DATE 8-27-62 | DATE 8-27-62 |
| TOLERANCES | | MECH. DES. [Signature] | DATE 8-27-62 | DATE 8-27-62 |

| RTB-10 | | |
|---|---------------|-----------|
| Q'TY./UNIT | MODEL USED ON | ASSY. NO. |
| SCALE | CODE | |
| THE CONTENTS OF THIS DRAWING ARE THE EXCLUSIVE PROPERTY OF THE TECHNICAL MATERIEL CORP. ITS UNAUTHORIZED USE OR REPRODUCTION IN WHOLE OR IN PART IS STRICTLY FORBIDDEN. | | |

NOTES

A-3055

A