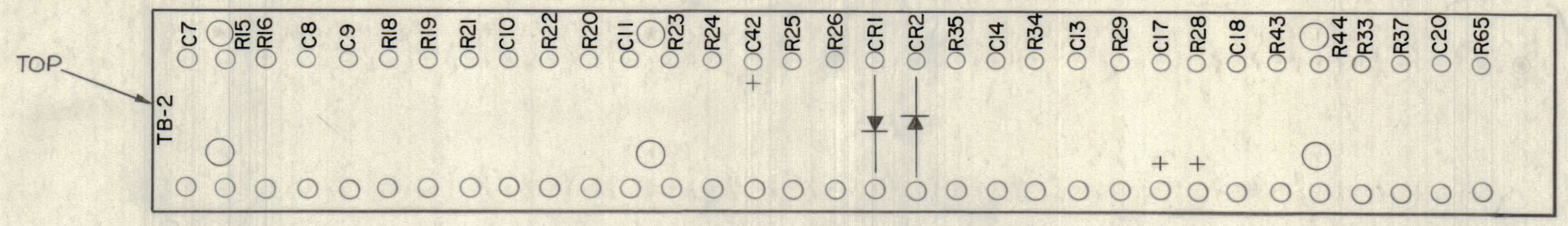
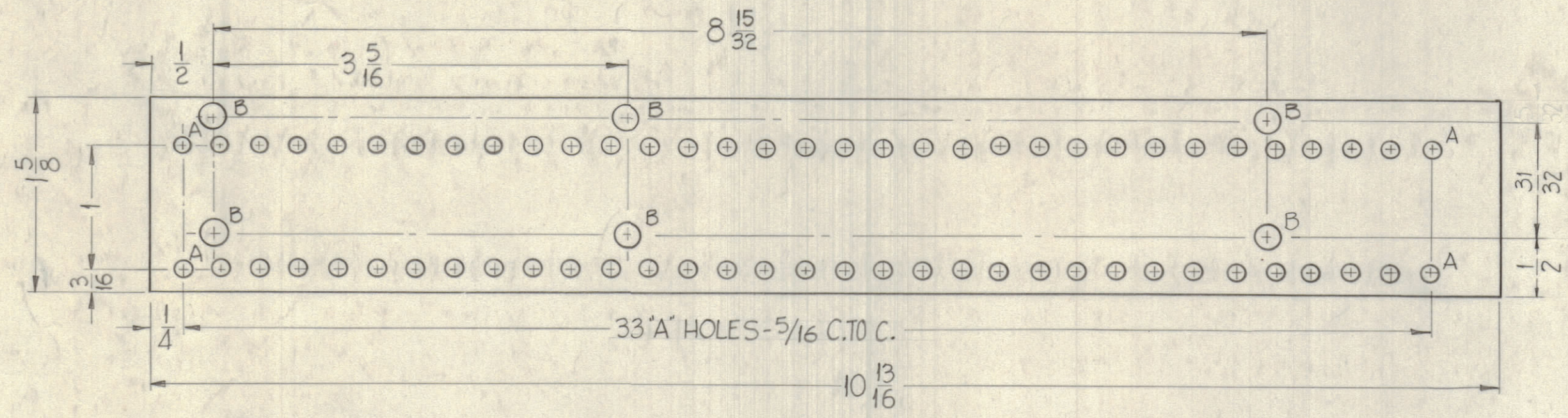
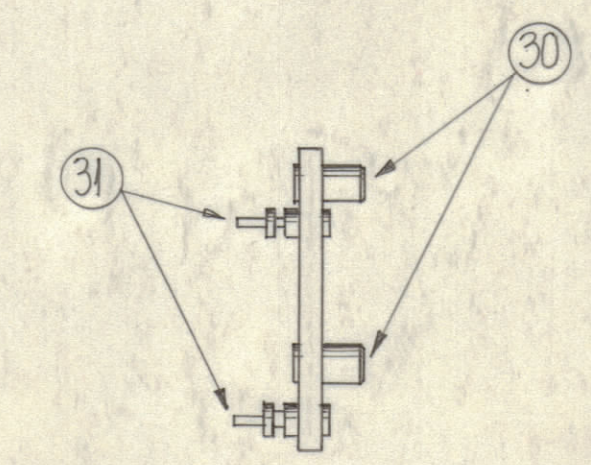


HOLE S REQ.  
 A~.116 D. 66  
 B~.189 D. 6



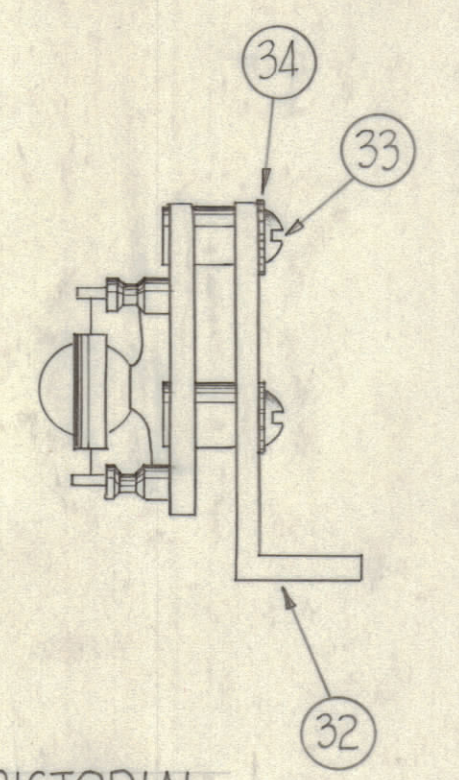
NOTE ~ ALL LETTERING 1/8" BLACK GOTHIC



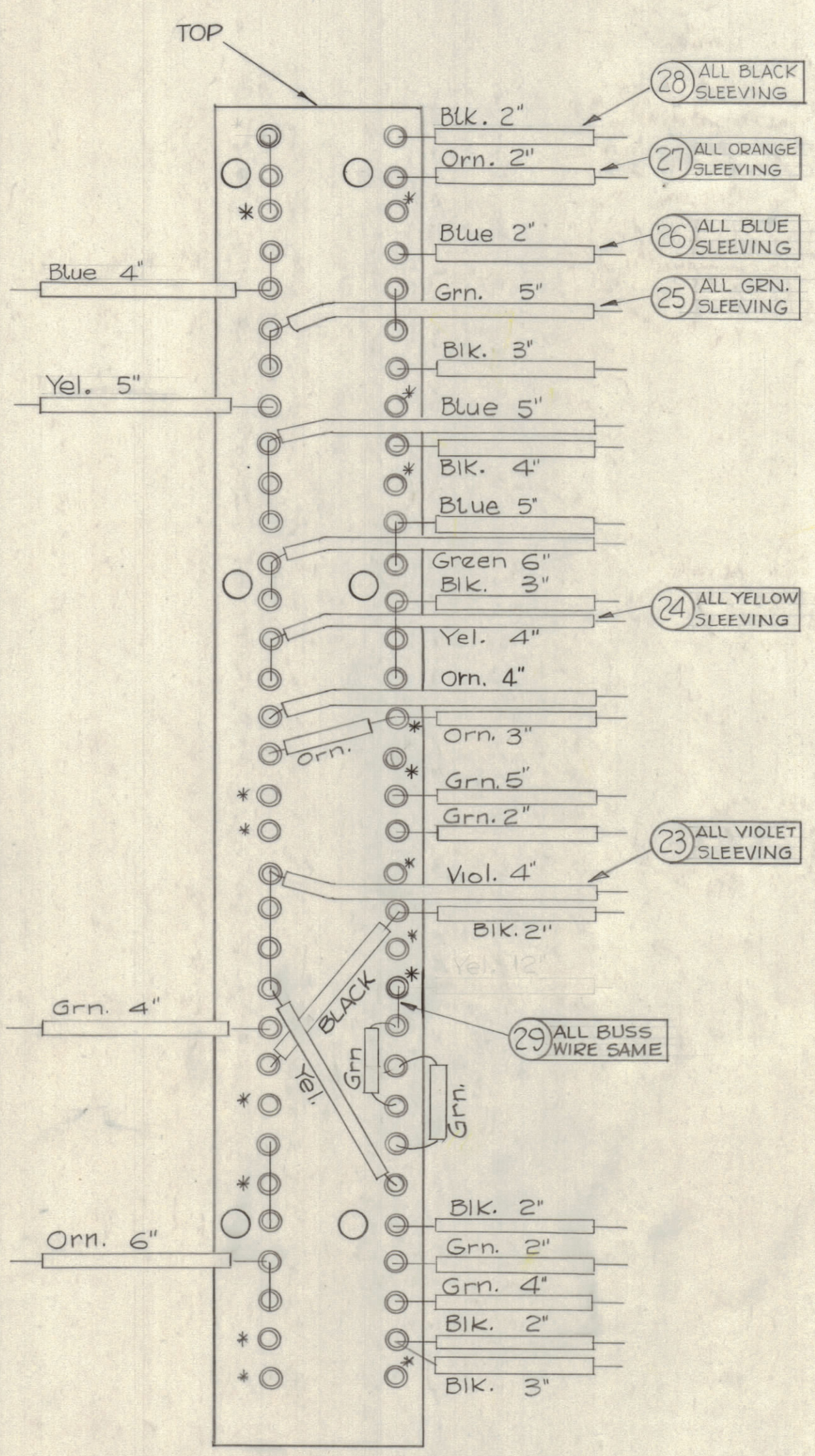
MACHINING ~ (A-3035-1) ~ MATERIAL = Phenolic XXXP, 1/8" THK.; FINISH = Natural

STAMPING ~ (A-3035-2)

SUB-ASSEMBLY (A-3035-3)



ASSEMBLY PICTORIAL



WIRING (A-3035-4)  
Rear

NOTES -  
 \* Do Not Solder These Connections.  
 All Lengths Indicated are Insulated Sleeving Lengths. All Buss wire will be 1" Longer.

REQ. ITEM	PART NO.	DESCRIPTION	SYMBOL
6 34	LWE06MRN	Lockwasher, Ext.	
6 33	SCBS0632BN6	Screw, Machine	
3 32	MS-1321	Bracket, Angle Type	
66 31	TE-109-3	Terminal Lug	
6 30	TE-108-8	Standoff, Rivet Type	
X 29	WL-100-7	Wire, Buss-Bar	
X 28	PX-104-1-.034	Insulation, Sleeving	Black
X 27	8		Orange
X 26	6		Blue
X 25	4		Green
X 24	2		Yellow
X 23	PX-104-9-.034	Insulation, Sleeving	Violet
1 22	CC-100-9	Capacitor, Disc	C9
2 21	" " -16	Disc	C1, C13
2 20	CC-100-32	Disc	C7, C10
1 19	CM15C050J	Mica, Fixed	C8
3 18	CE-105-25-50	Fixed, Electrolytic	C4, 17, 18
2 17	CP106C474-2	Capacitor, Fixed, Paper	C14, C20
2 16	1N100	Diode	C1, 2
1 15	RC32GF222K	Resistor, Fixed, Comp.	R26
2 14	RC20GF101K		R25, 15
1 13	151K		R24
1 12	562K		R20
1 11	124K		R22
1 10	334K		R21
1 9	682K		R16
3 8	474K		R35, 29, 43
1 7	473K		R23
1 6	104K		R19,
1 5	224K		R18
1 4	105K		R65
2 3	102K		R33, 37
2 2	223K		R28, 44
1 1	RC20GF331K	Resistor, Fixed, Comp.	R34

THE CONTENTS OF THIS DRAWING ARE THE EXCLUSIVE PROPERTY OF THE TECHNICAL MATERIEL CORP. ITS UNAUTHORIZED USE OR REPRODUCTION IN WHOLE OR IN PART IS STRICTLY FORBIDDEN.

SYM	ZONE	DESCRIPTION	DATE	CH. NO.	DRAFTS	CHECKER	ENG. APP.
UNLESS OTHERWISE SPECIFIED:			SCALE				
DIMENSIONS ARE IN INCHES			MAXIMUM ALLOWABLE TOLERANCES HAVE BEEN DETERMINED AND ANY DEVIATIONS WILL BE CAUSE FOR REJECTION. REMOVE ALL BURRS & SHARP EDGES				
TOLERANCES ON FRACTIONS ± 1/64			DECIMALS ± .005		ANGLES ± 1/2°		

REQ. PER UNIT	MODEL	SECTION	ASSY. NO.	DATE	TYPE & TEMPER	HEAT TREAT. SPEC.	FINISH & SPEC. NO.
1	AFC-1B			8-3-61			

THE TECHNICAL MATERIEL CORP. MAMARONECK, NEW YORK			
TERMINAL BOARD ASSY # 2			
DRAWN		CHECKED	
ELEC. DES. APP.		MECH. DES. APP.	
SHEET		OF	
AFC-1B		A-3035	

A-3035