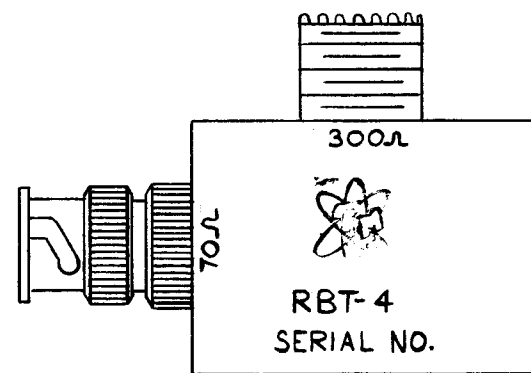
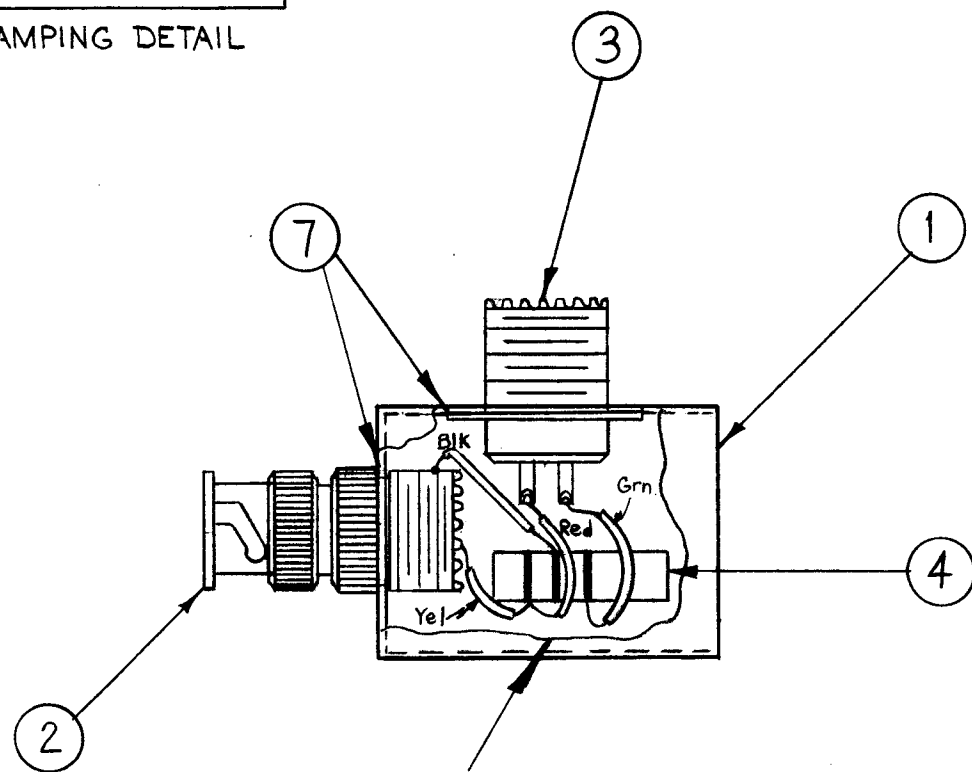


A-3027



STAMPING DETAIL



SEE DETAIL FOR STAMPING

X	7	BS-106	Solder, Hydrazine	
X	6	BS-100	Solder, Soft	
X	5	GL-106	Potting Compound (Plastic)	
1	4	A-1082	Transformer Sub-Ass'y.	
1	3	UG-103/U	Connector, Receptacle	
1	2	UG-255/U	Connector, Adapter	
1	1	BX-193	Case, Transformer	

REQ.	ITEM	PART NO.	DESCRIPTION	SYMBOL
			THE TECHNICAL MATERIEL CORP. MAMARONECK, NEW YORK	
			RECEIVER BROADBAND INPUT TRANSFORMER	
			MATERIAL	
			STOCK SIZE	
			TYPE & TEMPER	
			HEAT TREAT. SPEC.	
			DRAWN	
			CHECKER	
			FINAL APPROVAL	
			FINISH & SPEC. NO.	
			ELEC. DES. APP.	
			MECH. DES. APP.	

SYM	DESCRIPTION	DATE	CH. NO.	DRAFTS	CHECKER	ENG. APP.
UNLESS OTHERWISE SPECIFIED:						
DIMENSIONS ARE IN INCHES		SCALE: Full (Do Not Scale)				
TOLERANCES ON		MAXIMUM ALLOWABLE TOLERANCES HAVE BEEN DETERMINED AND ANY DEVIATIONS WILL BE CAUSE FOR REJECTION.				
FRACTIONS ± 1/64		DECIMALS ± .005				
ANGLES ± 1/2°		REMOVE ALL BURRS AND SHARP EDGES				
		1	RBT-4			6-26-61
		REQ. PER UNIT	MODEL	SECTION	ASS'Y. NO.	DATE
		USED ON				