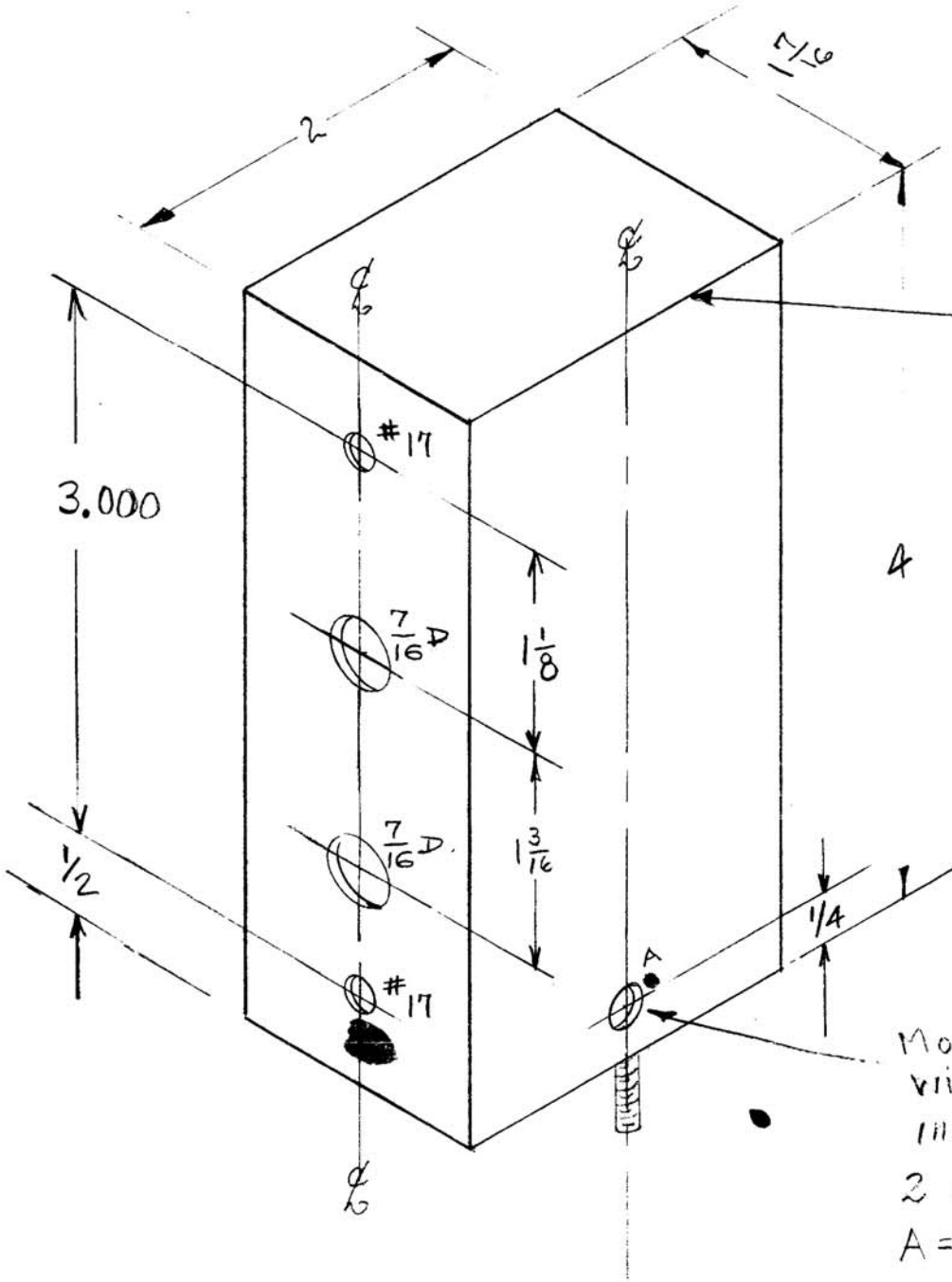
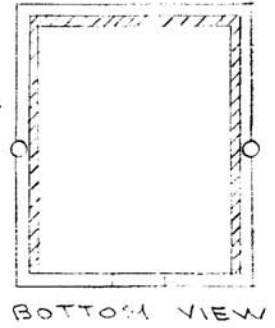


A-376

INSTALL FISH PAPER FULL DEPTH OF CAN
ON THE 3 UNDRILLED SIDES
INSULATION, SIDES (IM-147)



Mount SC-106-1
with EY-100-1
inside of can.
2 Req'd.
 $A = \frac{1}{8}$

DATE	1-10-58	APP.	MK
DESC.	7/16 D WAS 3/8 D		
REV.	A		

Required: 2 Per Unit
Finish: Clean-Etch & Paint Dark Grey, Navy Spec. 5284, Type C, Gloss 30-40 Units
Material: .020 Aluminum Can Made By: Aluminum Goods Mfg. Co.

DATE	7-9-51	IF TRANSFORMER CANS	THE TECHNICAL MATERIEL CORPORATION MAMARONECK, NEW YORK	
DRN.	JAD			
CHKD.	G.T.O			
APPD.	PJS			
MODEL DVM		SHEET	OF	NO. A-376