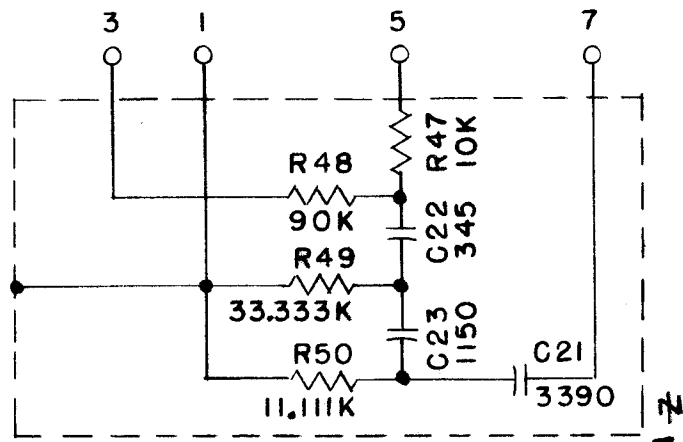
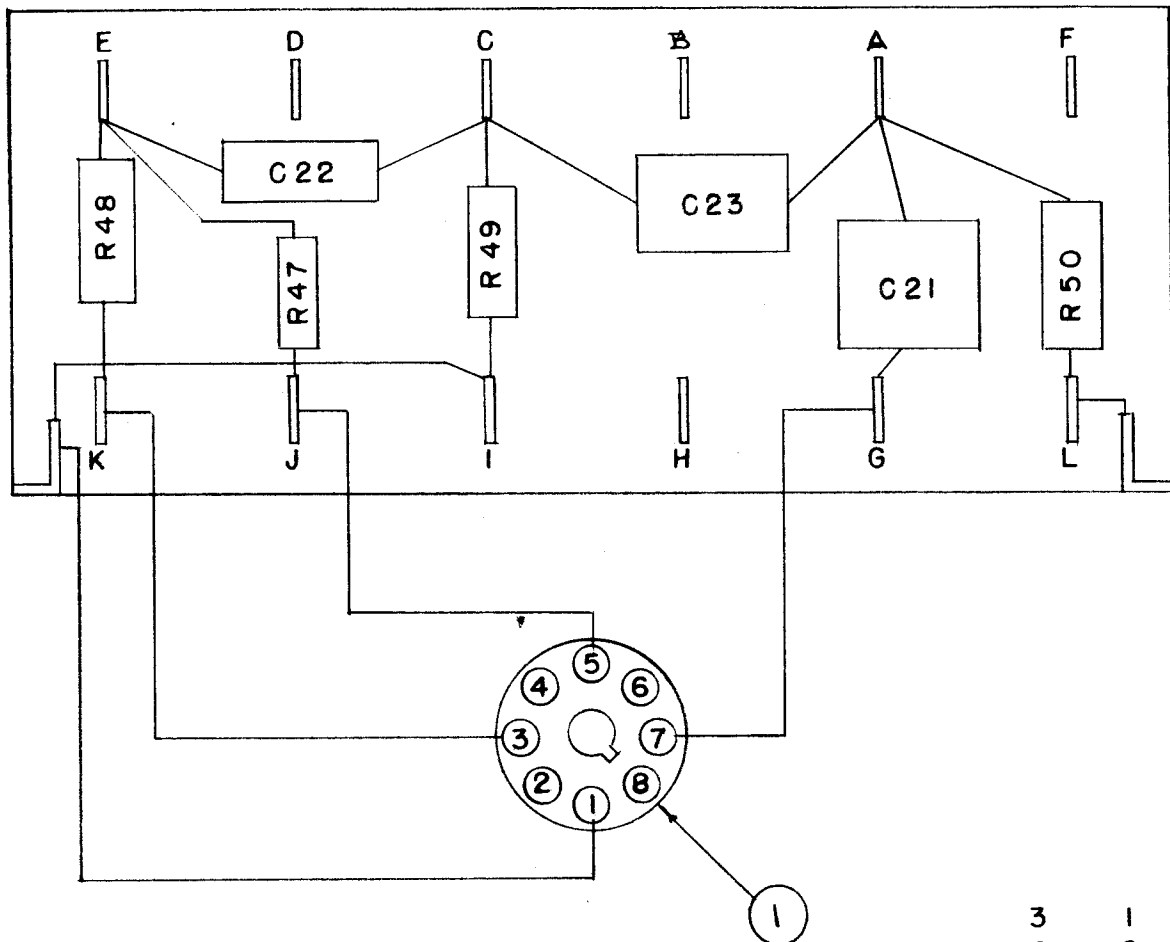
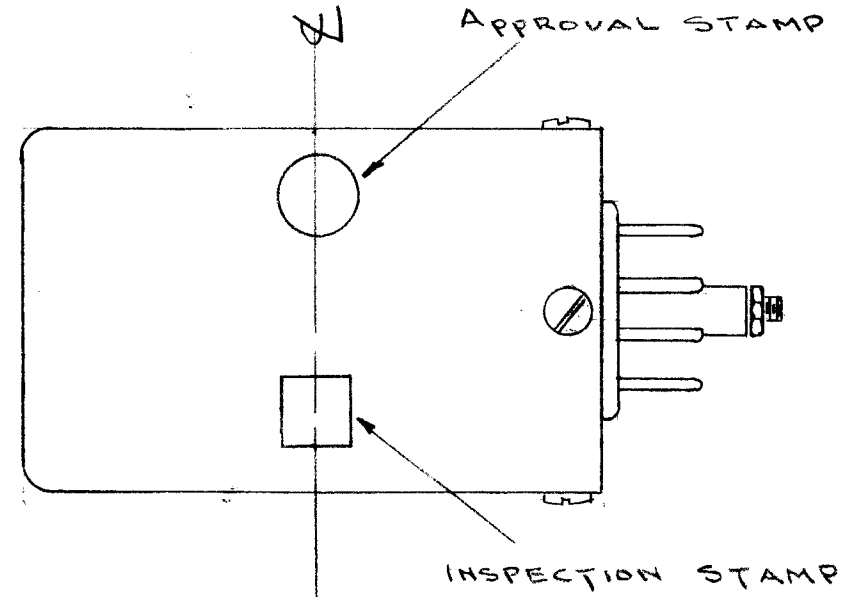
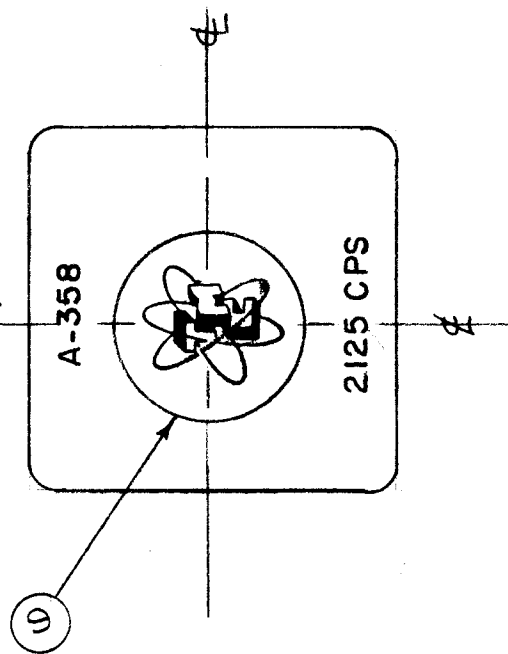


IF IT IS FOUND DESIRABLE TO CHANGE ANY TOLERANCE OR OTHER DETAIL SPECIFIED ON THIS DRAWING NOTIFY THE PURCHASER PROMPTLY.

MAXIMUM ALLOWABLE TOLERANCES HAVE BEEN DETERMINED AND DEVIATIONS WILL BE CAUSE FOR REJECTION. REMOVE ALL BURRS AND SHARP EDGES



A-358 A



STAMP TOP & SIDE OF CAN AS SHOWN

1	9	NP-136	TMC INSIGNIA	
1	8	RR-104-11111	RESISTOR, FIXED	R50
1	7	RR-104-33333	" , "	R49
1	6	RR-104-903	" , "	R48
1	5	RC20GF103K	" , "	R47
1	4	CM-100-3	CAPACITOR, FIXED	C23
1	3	CM-100-2	" , "	C22
1	2	CM-100-1	" , "	C21
1	1	PO-106-6-T	VECTOR SOCKET TURRET ASSY.	

REQ.	ITEM	PART NO.	DESCRIPTION	SYMBOL
			<b>THE TECHNICAL MATERIEL CORP.</b> MAMARONECK. NEW YORK	
			<b>FREQ. DETERMINING NETWORK</b>	
			<b>Z1 2125 CPS</b>	
			C.D.D. 3-9-54	A. J. J.
			DRAWN	ELEC. DES. APP. MECH. DES. APP.
			CHECKED	FINAL APPROVAL
			<b>A-358 A</b>	

<b>A</b>	STAMPING ADDED	3/9/54	C.D.D.	A.J.J.
ISSUE	ITEM	CHANGED FROM	DATE	CN. NO. DRAFTS
TOLERANCES		SCALE: 1		
ALL OTHERS	DEC. DIM. ± FRAC. DIM. ± ANGULAR DIM. ±	DRILL, PUNCH, COMMERCIAL STOCK SIZES AND MANUFACTURERS TOLERANCES ARE NOT INCLUDED.		

1	DCU			3-9-54
RES PER UNIT	MODEL	PROJECT NO.	ASS'Y. NO.	DATE
USED ON				