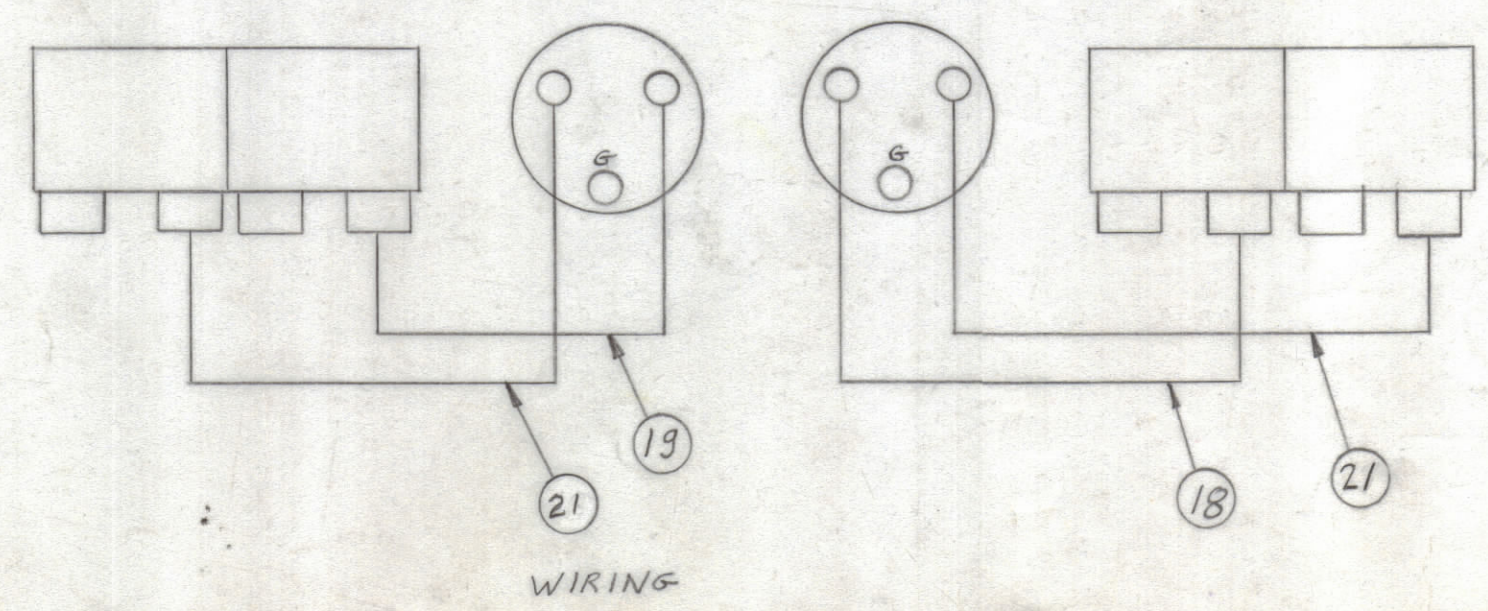
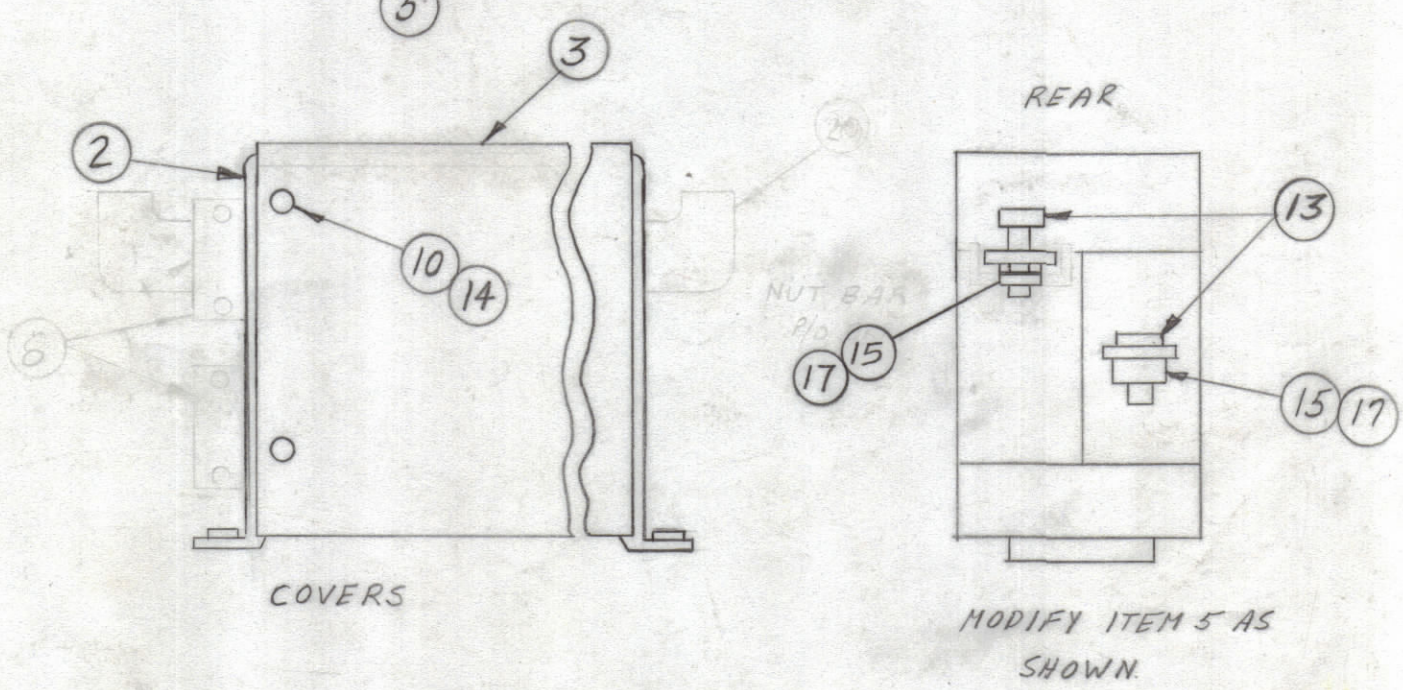
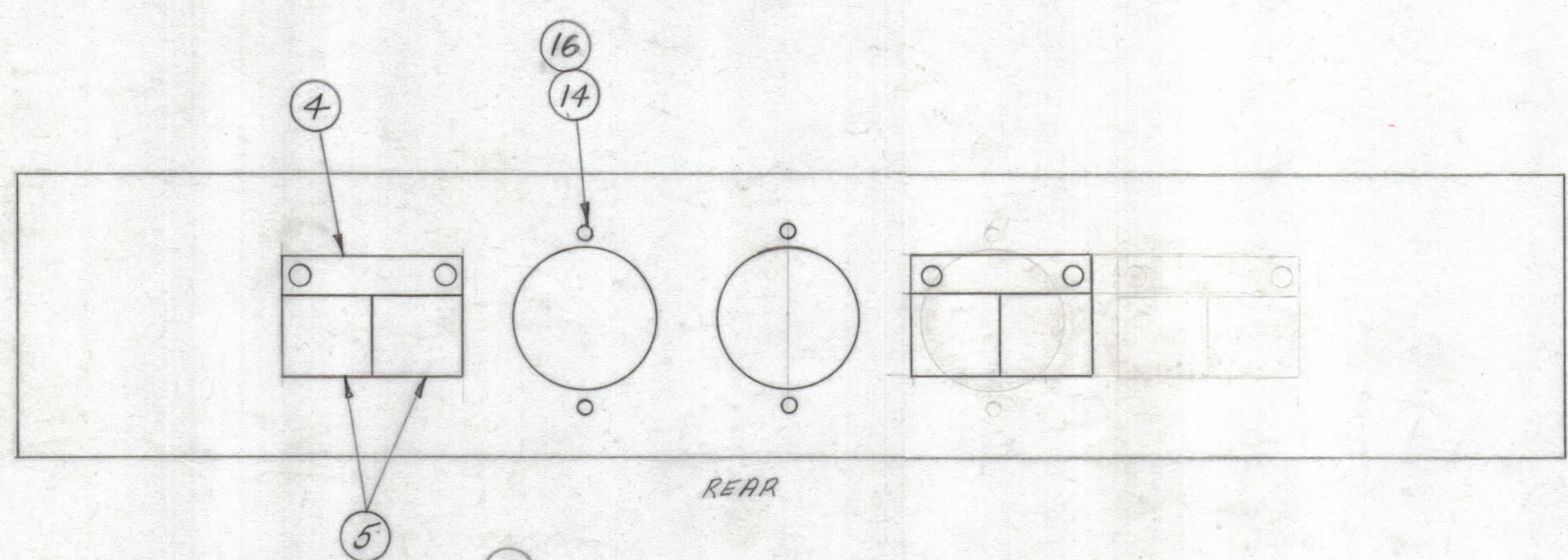
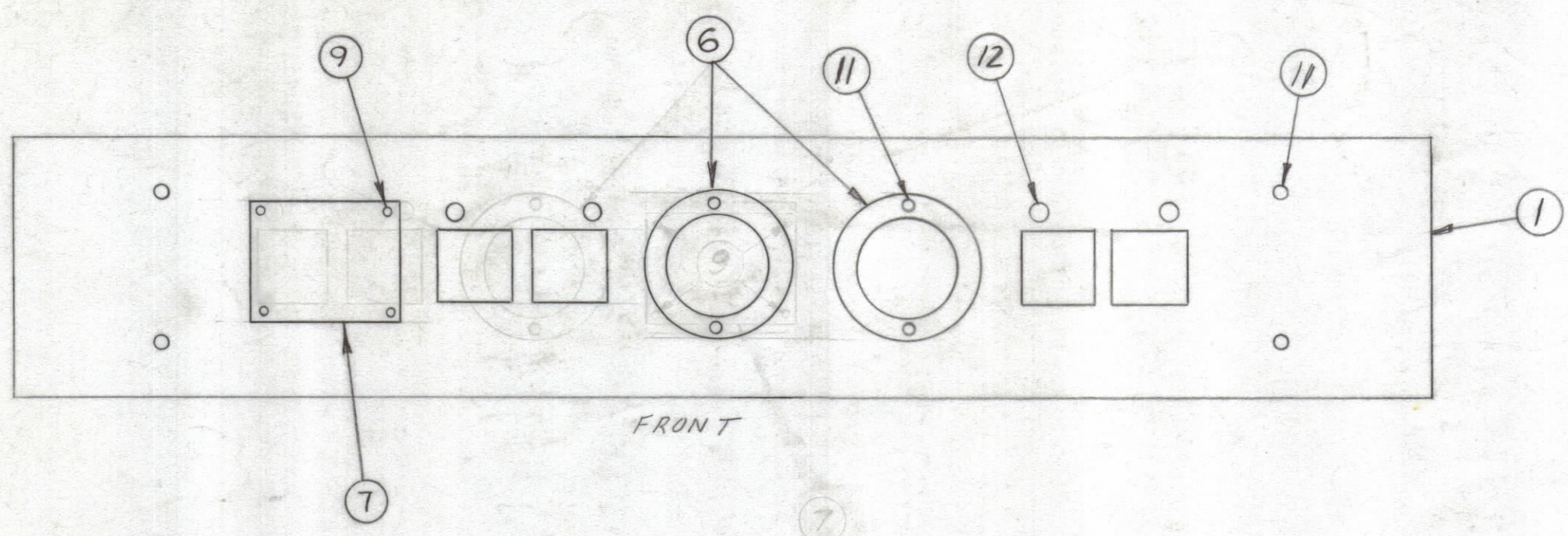


REVISIONS						
ZONE	SYM	DESCRIPTION	DATE	E.M.N. NO.	DRAFT	CHKD
X		EXPERIMENTAL RELEASE	2/17/65		HLA	
Ø		ORIGINAL RELEASE FOR PRODUCTION	3/1/65	Ø	JL	
A		IT. 8 (CU105) & IT 20 (CU110) DELE; IT. 18 WAS CA409-172.....	5-10-65	13992	JT	JOB
B		IT. 19 WAS 2 PIN WAS CA409-177-4.50 IT 22 ADDED JEACH CA 409-176.750	8-4-65	14481	H.V.I.	JT



REQ'D.	ITEM	PART NUMBER	DESCRIPTION	SYMBOL
	38			
	37			
	36			
	35			
	34			
	33			
	32			
	31			
	30			
	29			
	28			
	27			
	26			
	25			
	24			
	23			
1	22	CA409-176-750	CABLE ASSY, JUMPER	
1	21	CA409-177-750	CABLE ASSY, JUMPER	
	20	DELETED		
1	19	CA409-177-600	CABLE ASSY, JUMPER	
1	18	CA409-176-6.00	CABLE ASSY, JUMPER	
8	17	NTH1032 BN12	NUT, HEX HEAD	
4	16	NTH0632 BN8	NUT, HEX HEAD	
8	15	LWE10 MRN	LOCKWASHER, EXTERNAL	
11	14	LWE06 MRN	LOCKWASHER, EXTERNAL	
8	13	SCBP1032 BN8	SCREW, MACHINE	
4	12	SCBP0832 BN6	SCREW, MACHINE	
8	11	SCBP0632 BN7	SCREW, MACHINE	
7	10	SCBP0632 BN5	SCREW, MACHINE	
4	9	SFBP0256 SN3	SCREW, SELF TAPPING	
	8	DELETED		
1	7	NP102-32	NAMEPLATE, COMMERCIAL	
2	6	JJ173	CONNECTOR, RECEPTACLE, FEMALE	
4	5	SW381-1	CIRCUIT BREAKER-OPST	
2	4	MS4181	PLATE, MOUNTING, CIRCUIT BREAKER	
1	3	MS4382	COVER, TOP	
1	2	MS4383	COVER, BOTTOM	
1	1	MS4381	PANEL, FRONT	

A2947 B

LIST OF MATERIAL				
MATERIAL		THE TECHNICAL MATERIEL CORP. MAMARONECK, NEW YORK		
FINISH		TITLE APP-11 FINAL ASSY		
Q'TY./UNIT	MODEL USED ON	ASS'Y. NO.	DRAWN	DATE
SCALE	CODE		CHECKED	DATE
THE CONTENTS OF THIS DRAWING ARE THE EXCLUSIVE PROPERTY OF THE TECHNICAL MATERIEL CORP. ITS UNAUTHORIZED USE OR REPRODUCTION IN WHOLE OR IN PART IS STRICTLY FORBIDDEN.		DECIMALS .X ± .05 .XX ± .01 .XXX ± .005	TOLERANCES	FRACTIONS ± 1/64 ANGLES ± 0° 30'
UNLESS OTHERWISE SPECIFIED DIMENSIONS ARE IN INCHES AND INCLUDE CHEMICALLY APPLIED OR PLATED FINISHES		ELECT. DES.	DATE	FINAL APPROVAL
		MECH. DES.	DATE	DATE

NOTES