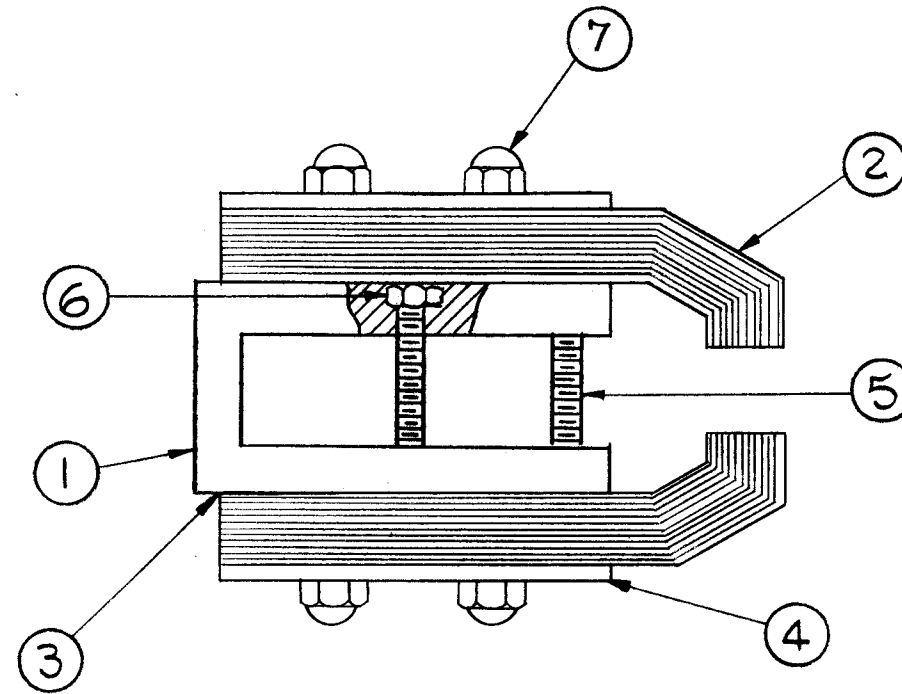


A-2431

THE CONTENTS OF THIS DRAWING ARE THE EXCLUSIVE PROPERTY OF THE TECHNICAL MATERIEL CORP. ITS UNAUTHORIZED USE OR REPRODUCTION IN WHOLE OR IN PART IS STRICTLY FORBIDDEN.



8	7	NTC1032SSL	NUT, CAP
8	6	NTH0348BN6	NUT, HEX
4	5	SM0348BPI.062	ROD, THREADED, 3-48, 1 1/16 LG.
2	4	MS-2154	LEAF, PRESSURE
2	3	MS-2294	SHIM, CONTACT
4	2	MS-1601	CONTACT (Matched Set of -1 Thru-5)
1	1	PM-598-2	BRACKET, CONTACT

REQ. ITEM	PART NO.	BUDETTI DESCRIPTION	SYMBOL
		THE TECHNICAL MATERIEL CORP. MAMARONECK, NEW YORK	
STOCK SIZE		AX-351 ASSEMBLY	
MATERIAL			
		EG	file
TYPE & TEMPER		HEAT TREAT. SPEC.	DRAWN
			CHECKED
			FINAL APPROVAL
		KB	920
FINISH & SPEC. NO.		ELEC. DES. APP.	MECH. DES. APP.
			A-2431

SYM	DESCRIPTION	DATE	CH. NO.	DRAFTS	CHECKER	ENG. APP.
UNLESS OTHERWISE SPECIFIED:		SCALE:				
DIMENSIONS ARE IN INCHES		MAXIMUM ALLOWABLE TOLERANCES HAVE BEEN DETERMINED AND ANY DEVIATIONS WILL BE CAUSE FOR REJECTION.				
TOLERANCES ON FRACTIONS ± 1/64 DECIMALS ± .005 ANGLES ± 1/2°		REMOVE ALL BURRS AND SHARP EDGES				
		GPT-40K	AX-351			4-10-62
		REQ. PER UNIT	MODEL	SECTION	ASS'Y. NO.	DATE
		USED ON				