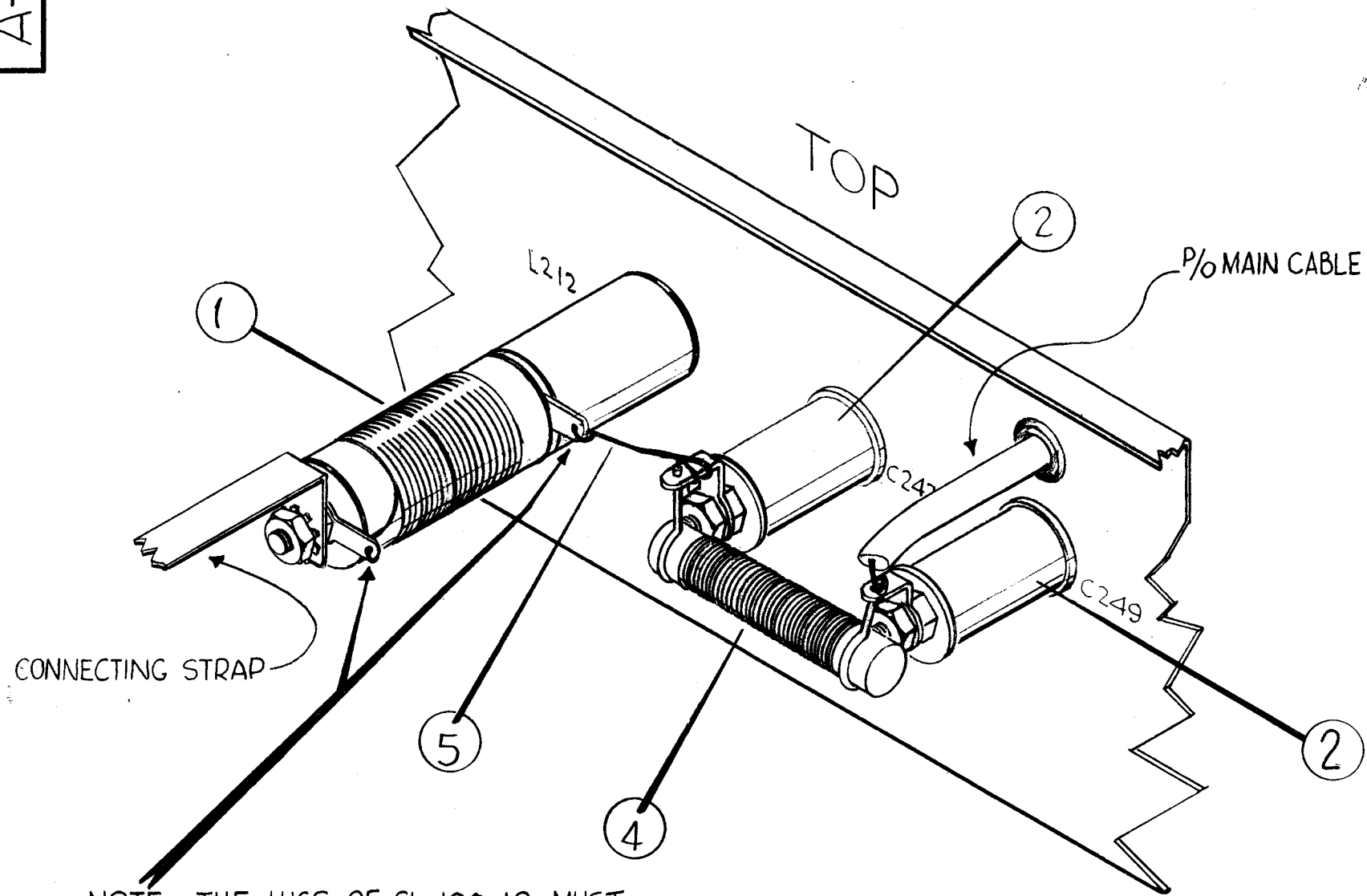


A-2423 B

THE CONTENTS OF THIS DRAWING ARE THE EXCLUSIVE PROPERTY OF THE TECHNICAL MATERIEL CORP. ITS UNAUTHORIZED USE OR REPRODUCTION IN WHOLE OR IN PART IS STRICTLY FORBIDDEN.



NOTE ~ THE LUGS OF CL-100-12 MUST BE POSITIONED PARALLEL TO TOP AND BOTTOM COVER.

X	6	BS-100	SOLDER, SOFT	
X	5	WL-100-8	WIRE, BUSS-BAR	
1	4	A-1126	CL-178 ASSEMBLY	L236
#	3	DELETED		
2	2	CX102J202M	CAPACITOR, FIXED, PLASTIC	C247 C249
1	1	CL-10012	COIL, RF, FIXED	L212
REQ.	ITEM	PART NO.	DESCRIPTION	SYMBOL
			THE TECHNICAL MATERIEL CORP. MAMARONECK, NEW YORK	
			RF CHOKE MOUNTING ASS'Y.	
			MATERIAL	
			TYPE & TEMPER HEAT TREAT. SPEC. DRAWN CHECKED FINAL APPROVAL	
			FINISH & SPEC. NO. SEC. DES. APP. MECH. DES. APP.	

B	ON ITEM(1), LUG REDRAWN	11-27-62	7720	GS	W.D.	W.D.
A	ITEM(2) QUAN. WAS 1; ITEM(1) WAS CL-100-12 ITEM(3) DELETED WAS 1 EA, CX-102J202M, SYM C249	8-10-62	7045	GS	W.D.	W.D.
SYM	DESCRIPTION	DATE	CH. NO.	DRAFTS	CHECKER	ENG. APP.
UNLESS OTHERWISE SPECIFIED:		SCALE: DO NOT SCALE				
DIMENSIONS ARE IN INCHES		MAXIMUM ALLOWABLE TOLERANCES HAVE BEEN DETERMINED AND ANY DEVIATIONS WILL BE CAUSE FOR REJECTION.				
TOLERANCES ON FRACTIONS ± 1/64 DECIMALS ± .005 ANGLES ± 1/2°		REMOVE ALL BURRS AND SHARP EDGES				
		1	RFA-1			4-17-62
		REQ. PER UNIT	MODEL	SECTION	ASS'Y. NO.	DATE
		USED ON				