

WINDING DATA

CLOSE WIND APPROX. 25 TURNS OF MAGNET WIRE (ITEM 2) EVENLY ONTO CORE (ITEM 1)

TEST DATA

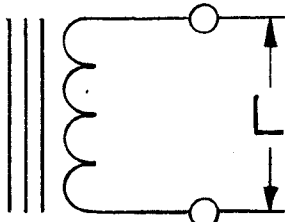
TEST AS PER SPECIFICATIONS
(IT IS PERMISSIBLE TO REMOVE OR ADD TURNS TO MEET REQUIRED INDUCTANCE, BECAUSE THE PERMEABILITY OF THE CORE MAY VARY.)

L = .342 MH $\begin{matrix} -1\% \\ +2\% \end{matrix}$ DC RESISTANCE = APPROX. 1.28Ω

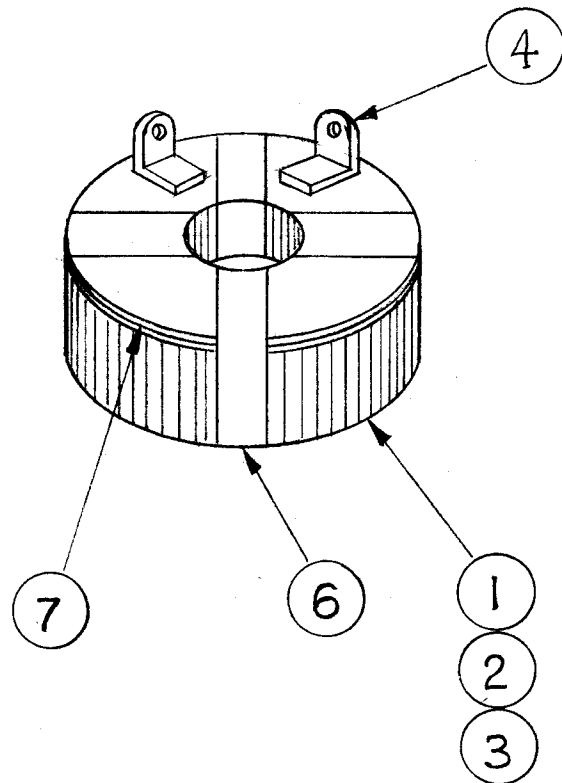
Q = 1 or GREATER
TEST FREQ. = 1KC

ASSEMBLY

1. BAKE FOR 20 MINUTES AT 125°C.
2. APPLY VARNISH (ITEM 3) LIBERALLY OVER COIL ASSEMBLY
3. BAKE FOR 1 HOUR AT 100°C.
4. ATTACH INSULATOR SUB-ASSEMBLY (ITEM 4) AND (ITEM 7) TO COIL SUB-ASSEMBLY USING ITEM 6.
5. SOLDER LEADS TO TERMINALS USING ITEM 8.
6. POT TO DIMENSIONS SHOWN USING ITEM 5.
7. STAMP TMC PART NO. "CL-289" 1/8 INCH HIGH, WHITE GOTHIC, AS SHOWN.
8. TEST AS PER SPECIFICATIONS



SCHEMATIC

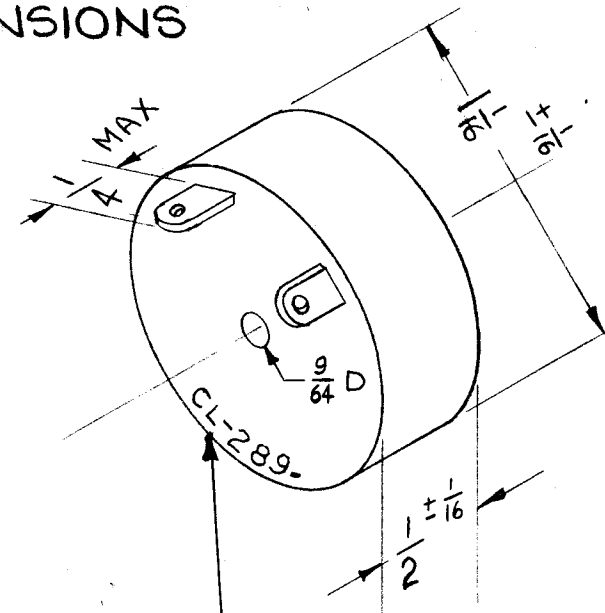


A-2416

REVISIONS

SYM	DESCRIPTION	DATE	E.M.N. NO.	DRAFT	CHKD	APPD
X	EXPERIMENTAL RELEASE	3/21/64				JEF
0	ORIGINAL RELEASE FOR PRODUCTION	3-31-64		JB	@	JEF

POTTING DIMENSIONS



STAMP TMC PART NO. 1/8 HIGH WHITE GOTHIC, LOCATED AS SHOWN.

REQ'D.	ITEM	PART NUMBER	DESCRIPTION	SYMBOL
X	8	BS-100	SOLDER, SOFT	
1	7	IM-155	WASHER, FIBER INSULATOR	
X	6	TA-101-1	TAPE, FIBERGLASS	
X	5	GL-101-1	COMPOUND, POTTING	BLACK
1	4	A-1327-9	INSULATOR, SUB-ASSEMBLY	
X	3	GL-104-4	INSULATION VARNISH, ELECTRICAL	
X	2	WI-123-29	WIRE, MAGNET #29AWG	
1	1	CI-103-35	CORE, TOROIDAL	

LAWNSBY		LIST OF MATERIAL	
MATERIAL	---	THE TECHNICAL MATERIEL CORP. MAMARONECK, NEW YORK	
FINISH	---	TITLE CL-289 ASSY.	
UNLESS OTHERWISE SPECIFIED DIMENSIONS ARE IN INCHES AND INCLUDE CHEMICALLY APPLIED OR PLATED FINISHES		DRAWN	DATE
		W.B.	2.26.64
		CHECKED	DATE
		@ g/b.	3-24-64
		ELECT. DES.	DATE
		JEF	3-30-64
		MECH. DES.	DATE
		JEF	3-30-64
		FIN. APPROVAL	
		R.C.	
		DATE	
		3-31-64	
		PART NO.	
		A-2416	
		SHEET	
		0	
		REV. LTR.	

Q'TY./UNIT	MODEL USED ON	ASS'Y. NO.
2	HFA-I	
SCALE	CODE	
---	A	
THE CONTENTS OF THIS DRAWING ARE THE EXCLUSIVE PROPERTY OF THE TECHNICAL MATERIEL CORP. ITS UNAUTHORIZED USE OR REPRODUCTION IN WHOLE OR IN PART IS STRICTLY FORBIDDEN.		

NOTES