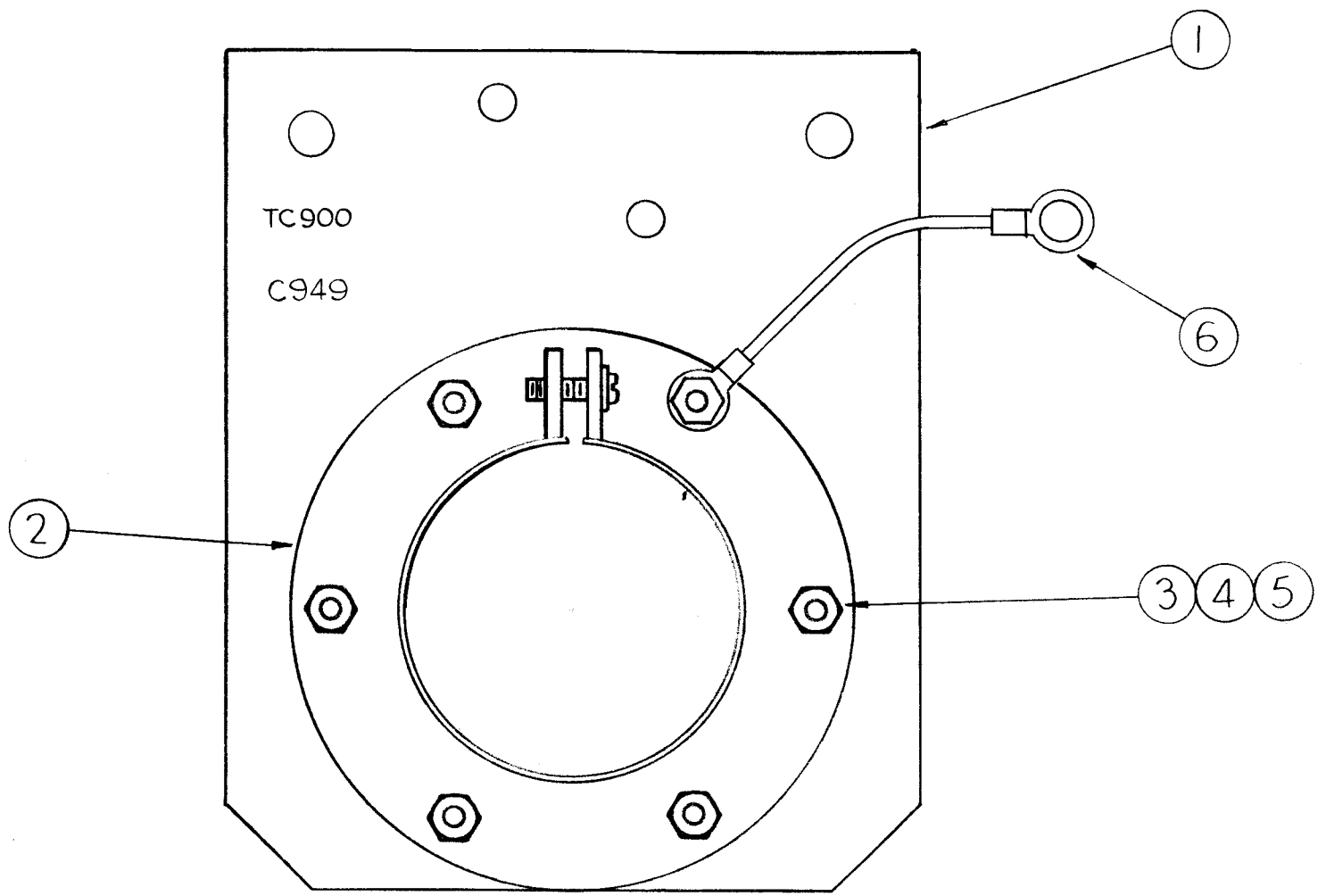


A-2346

THE CONTENTS OF THIS DRAWING ARE THE EXCLUSIVE PROPERTY OF THE TECHNICAL MATERIEL CORP. ITS UNAUTHORIZED USE OR REPRODUCTION IN WHOLE OR IN PART IS STRICTLY FORBIDDEN.



Lettered →

1	6	CA-412-16-2.75	Strap
6	5	LW508MRN	Washer, Lock, Split
6	4	NTH0832BN10	Nut, Hex
6	3	SCBP0832BN10	Screw, Machine
1	2	PO-185-45	Flange, Vacuum Capacitor
1	1	PX-625(LD-982)	Plate, Capacitor Mtg.

REQ.	ITEM	PART NO.	DESCRIPTION	SYMBOL									
			THE TECHNICAL MATERIEL CORP. MAMARONECK, NEW YORK										
STOCK SIZE			INSULATOR & FLANGE ASSEMBLY										
MATERIAL			(LETTERED) KIT-125										
			<table border="1"> <tr> <td>TYPE & TEMPER</td> <td>HEAT TREAT. SPEC.</td> <td>DRAWN</td> <td>CHECKED</td> <td>FINAL APPROVAL</td> </tr> <tr> <td></td> <td></td> <td><i>D.A. Ruzzo</i></td> <td><i>RUZZO</i></td> <td><i>SM</i></td> </tr> </table>	TYPE & TEMPER	HEAT TREAT. SPEC.	DRAWN	CHECKED	FINAL APPROVAL			<i>D.A. Ruzzo</i>	<i>RUZZO</i>	<i>SM</i>
TYPE & TEMPER	HEAT TREAT. SPEC.	DRAWN	CHECKED	FINAL APPROVAL									
		<i>D.A. Ruzzo</i>	<i>RUZZO</i>	<i>SM</i>									
			A-2346										
		FINISH & SPEC. NO.	ELEC. DES. APP.	MECH. DES. APP.									

SYM	DESCRIPTION	DATE	CH. NO.	DRAFTS	CHECKER	ENG. APP.
	UNLESS OTHERWISE SPECIFIED: DIMENSIONS ARE IN INCHES TOLERANCES ON FRACTIONS ± 1/64 DECIMALS ± .005 ANGLES ± 1/2°					
	SCALE: <i>1/2" = 1"</i> MAXIMUM ALLOWABLE TOLERANCES HAVE BEEN DETERMINED AND ANY DEVIATIONS WILL BE CAUSE FOR REJECTION. REMOVE ALL BURRS AND SHARP EDGES					

REQ. PER UNIT	MODEL	SECTION	ASS'Y. NO.	DATE
1	KIT-125			3-5-62
USED ON				