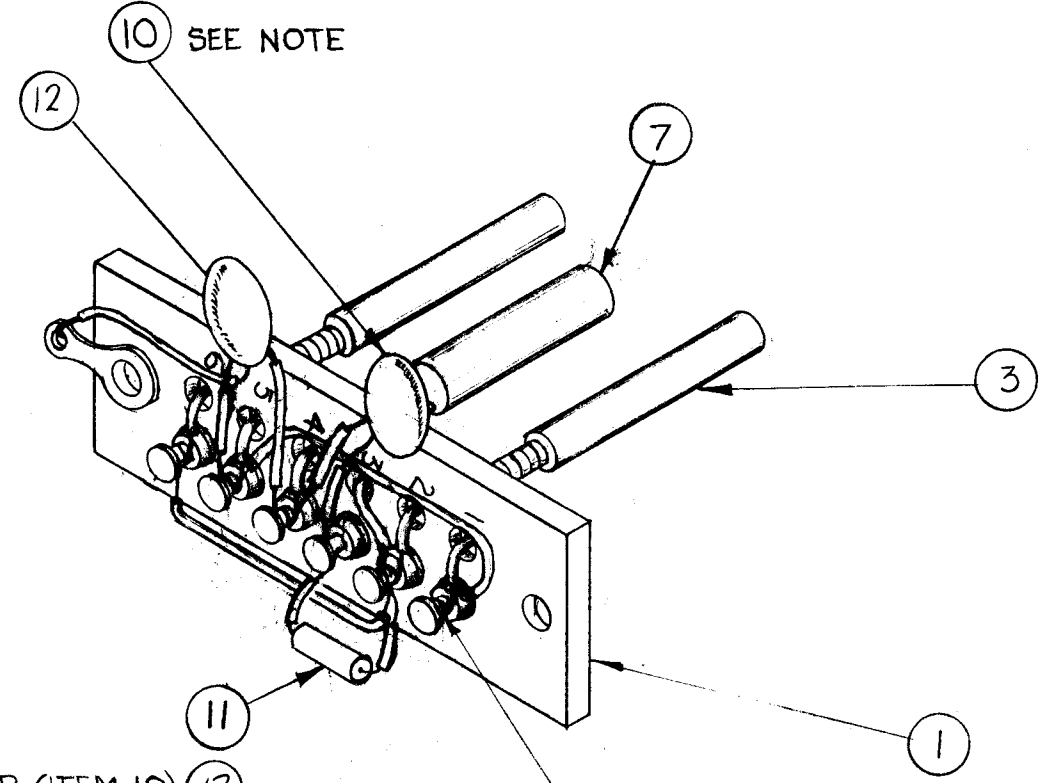


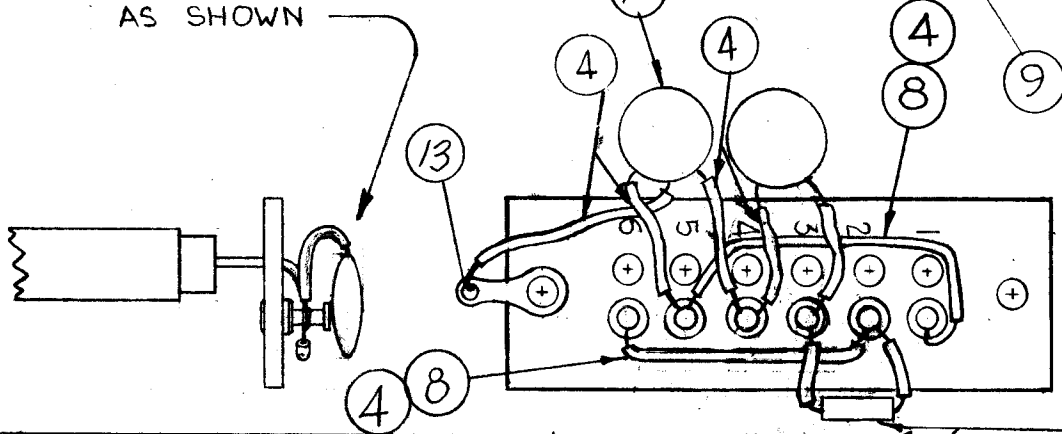
A-2330 H

THE CONTENTS OF THIS DRAWING ARE THE EXCLUSIVE PROPERTY OF THE TECHNICAL MATERIEL CORP. ITS UNAUTHORIZED USE OR REPRODUCTION IN WHOLE OR IN PART IS STRICTLY FORBIDDEN.

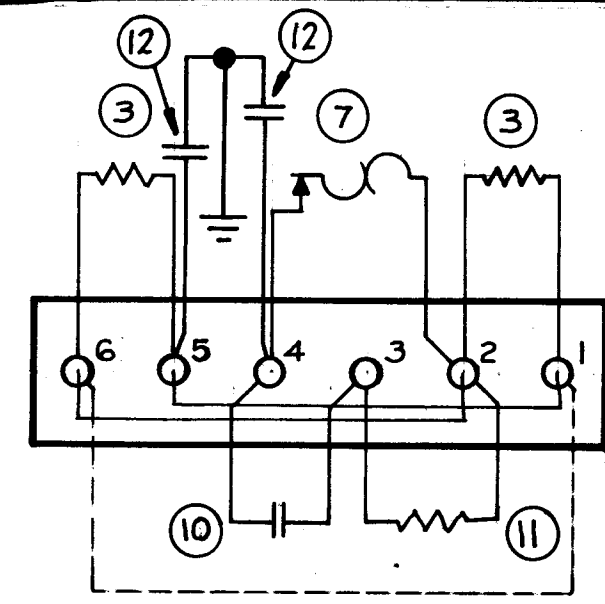
PART No.	SUPPLY VOLTAGE	ITEM II
A2330/115	115V	RC20GF100J
A2330/230	230V	RC20GF180J



NOTE: POSITION CAPACITOR (ITEM 10) AS SHOWN



ASSY. NOTE
1 - COMPONENT LEADS TO BE AS SHORT AS POSSIBLE.



WIRED FOR 115V
SCHEMATIC
230V OPERATION:
REMOVE JUMPERS BETWEEN 1#5 AND 2#6
ADD JUMPER BETWEEN 1#6

H	IT 12 & 13 ADDED; IT 10 WAS CHANGED	2-3-67	17746	UHO	STP	STP
G	P/No CHART ADDED. BUILD-UP CLARIFIED	10-20-66	17071	G.D.L.	STP	STP
F	IT. 2 WAS TE105-4	2-16-66	15739	AK	STP	STP
E	ON PICT SCHEM. IT. 10 & IT. 11. POSIT. INTERCHAN. ITEM #11 WAS RC20GF100K	7-20-64	11728	WJB	STP	STP
D	DWG UPDATED	12/16/63	10658	AK	STP	STP
C	ITEM (10) WAS CC-100-32	8-7-63	9796	AK	STP	STP
B	SCHEMATIC & SIDE VIEW ADDED. PICTORIAL CLARIFIED. ITEM (7) WAS SS-100-2, (10) WAS CH-113-1, (11) WAS RC20GF100K. ITEM (5) WAS PX-104-5-375, (6) WAS MWC72(1)B.9	3-27-63	8665	AK	STP	STP
A	ITEMS (1) WAS PX-104-5-03, (2) WAS CH-113, (3) WAS RC20GF100K	7-30-62	6984	SG	W.D.F.	STP

SYM	DESCRIPTION	DATE	CH. NO.	DRAFTS	CHECKER	ENG. APP.
	UNLESS OTHERWISE SPECIFIED: DIMENSIONS ARE IN INCHES TOLERANCES ON FRACTIONS ± 1/64 DECIMALS ± .005 ANGLES ± 1/2°					
	SCALE: DO NOT SCALE MAXIMUM ALLOWABLE TOLERANCES HAVE BEEN DETERMINED AND ANY DEVIATIONS WILL BE CAUSE FOR REJECTION. REMOVE ALL BURRS AND SHARP EDGES					

1	TRX-1	A0-111			
2	AFC-3				
2	AFC-2A				
2	AFC-2	2630		1-15-62	
REQ. PER UNIT	MODEL	SECTION	ASSY. NO.	DATE	
	USED ON				

1	13	TE104-1	LUG, SPADE	
1	12	CC-100-23	CAP. FIXED CERAMIC	
1	11	SEE CHART	RESISTOR, FIXED, COMP	
1	10	CC100-16	CAPACITOR, FIXED, CERAMIC	CS110
X	9	BS 100	SOLDER, SOFT	
4"	8	WL 100-7	WIRE, BUS BAR	
1	7	SS 106-1	SWITCH, SENSITIVE	
-	6		DELETED	
-	5		DELETED	
4"	4	PX 104-5-034	INSULATION, SLEEVING	BROWN
2	3	RR 102-1	ELEMENT, XTAL OVEN	
	2	DELETED		
1	1	PX 108	BOARD, TERMINAL-ELEMENT	

REQ. ITEM	PART NO.	DESCRIPTION	SYMBOL
THE TECHNICAL MATERIEL CORP. MAMARONECK, NEW YORK TERMINAL BOARD & COMPONENT ASS'Y (ELEMENT HEATER)			
STOCK SIZE			
MATERIAL			
TYPE & TEMPER	HEAT TREAT. SPEC.	DRAWN	CHECKED
		G.D.L.	STP
		FINAL APPROVAL	
		A-2330 H	
FINISH & SPEC. NO.		ELEC. DES. APP.	MECH. DES. APP.