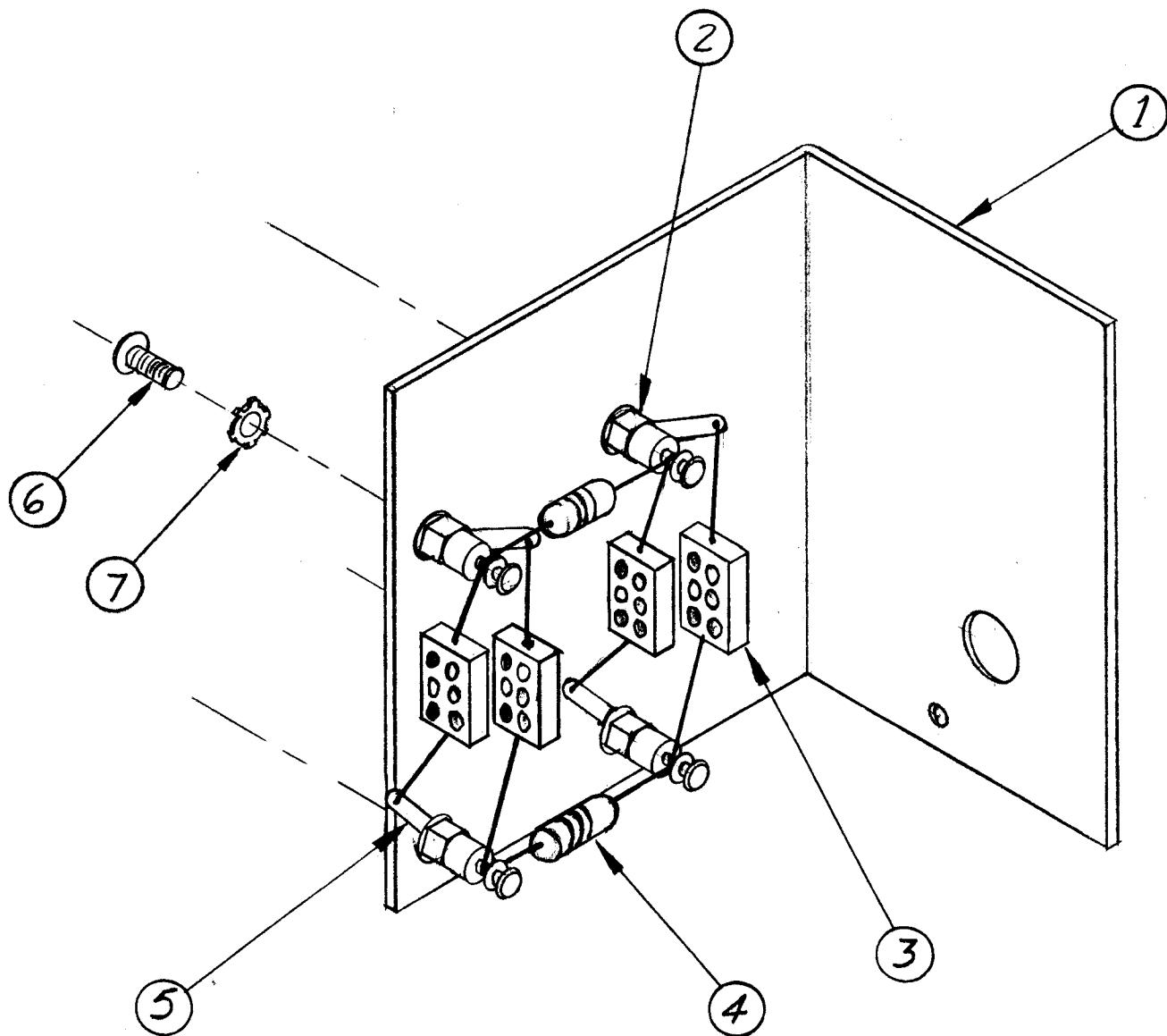


A-2234

THE CONTENTS OF THIS DRAWING ARE THE EXCLUSIVE PROPERTY OF THE TECHNICAL MATERIEL CORP. ITS UNAUTHORIZED USE OR REPRODUCTION IN WHOLE OR IN PART IS STRICTLY FORBIDDEN.



4	7	LWE04MRN	WASHER, LOCK, EXTERNAL	
4	6	SCBP0440BNA	SCREW, MACHINE	
4	5	TE-104-1	TERM., LUG	
2	4	CL-140-1	COIL, RF	
4	3	CM20B102K	CAPACITOR, FIXED, MICA	
4	2	TE-102-2	TERMINAL, STUD, INS.	
1	1	LD-1009/MS2753	BRACKET, DECOUPLING	
REQ.	ITEM	PART NO.	DESCRIPTION	SYMBOL
THE TECHNICAL MATERIEL CORP. MAMARONECK, NEW YORK DECOUPLING ASS'Y				
MATERIAL				
TYPE & TEMPER		HEAT TREAT. SPEC.		FINAL APPROVAL
				<i>wh</i> <i>JLo</i> <i>JKM</i>
FINISH & SPEC. NO.		ELEC. DES. APP.		MECH. DES. APP.
		<i>OB</i> <i>QA</i>		A-2234 B

B	UPDATED & CLARIFIED WITH CHANGES.	1/3/64	10671	<i>[Signature]</i>	<i>[Signature]</i>	<i>[Signature]</i>
A	ITEMS MS-2753 WAS MS-2763	8-14-62	7038	G.S.	<i>[Signature]</i>	<i>[Signature]</i>
SYM	DESCRIPTION	DATE	CH. NO.	DRAFTS	CHECKER	ENG. APP.
UNLESS OTHERWISE SPECIFIED:		SCALE:				
DIMENSIONS ARE IN INCHES		MAXIMUM ALLOWABLE TOLERANCES HAVE BEEN DETERMINED AND ANY DEVIATIONS WILL BE CAUSE FOR REJECTION.				
TOLERANCES ON FRACTIONS ± 1/64 DECIMALS ± .005 ANGLES ± 1/2°		REMOVE ALL BURRS AND SHARP EDGES				
		KIT-113		12-7-61		
REQ. PER UNIT	MODEL	SECTION	ASS'Y. NO.	DATE		
	USED ON					